

# DRIVE UNITS

Yellow-shaded areas indicate recommended operating ranges.  
Output speed and torque specifications are based on theoretical values and are provided for comparative purposes only.

EP615			
Output Speed		Output Torque	
GPM	RPM	PSI	FT.-LBS.
6	36	2500	1267
		3000	1520
		3500	1774
8	48	2500	1267
		3000	1520
		3500	1774
10	60	2500	1267
		3000	1520
		3500	1774
12	73	2500	1267
		3000	1520
		3500	1774
14	85	2500	1267
		3000	1520
		3500	1774
15	91	2500	1267
		3000	1520
		3500	1774

Max. Auger Dia: 24"  
Hyd. Flow: 6-15 GPM  
Max. Hyd. PSI: 3500

Gearbox Ratio: 3.86:1  
2" Hex  
No Case Drain Req'd.

EP1020			
Output Speed		Output Torque	
GPM	RPM	PSI	FT.-LBS.
10	48	2500	1587
		3000	1904
		3500	2222
12	58	2500	1587
		3000	1904
		3500	2222
14	68	2500	1587
		3000	1904
		3500	2222
15	72	2500	1587
		3000	1904
		3500	2222
18	87	2500	1587
		3000	1904
		3500	2222
20	97	2500	1587
		3000	1904
		3500	2222

Max. Auger Dia: 30"  
Hyd. Flow: 10-20 GPM  
Max. Hyd. PSI: 3500

Gearbox Ratio: 3.86:1  
2" Hex  
No Case Drain Req'd.



EP1530			
Output Speed		Output Torque	
GPM	RPM	PSI	FT.-LBS.
15	49	2500	2342
		3000	2811
		3500	3279
18	59	2500	2342
		3000	2811
		3500	3279
20	65	2500	2342
		3000	2811
		3500	3279
24	78	2500	2342
		3000	2811
		3500	3279
28	92	2500	2342
		3000	2811
		3500	3279
30	98	2500	2342
		3000	2811
		3500	3279

Max. Auger Dia: 36"  
Hyd. Flow: 15-30 GPM  
Max. Hyd. PSI: 3500

Gearbox Ratio: 3.86:1  
2" Hex  
No Case Drain Req'd.

EP2035			
Output Speed		Output Torque	
GPM	RPM	PSI	FT.-LBS.
20	48	2500	3161
		3000	3794
		3500	4426
24	58	2500	3161
		3000	3794
		3500	4426
28	68	2500	3161
		3000	3794
		3500	4426
30	73	2500	3161
		3000	3794
		3500	4426
35	85	2500	3161
		3000	3794
		3500	4426

Max. Auger Dia: 36"  
Hyd. Flow: 20-35 GPM  
Max. Hyd. PSI: 3500

Gearbox Ratio: 3.86:1  
2" Hex  
No Case Drain Req'd.

## EP AUGERS



**FAB (Light-Duty)**  
Light to Moderate Ground Conditions  
Available Diameters  
4", 6", 8", 9", 10", 12", 15", 16", 18",  
20", 24", 30", 36"



**CAST (Heavy-Duty)**  
Difficult Ground – Fracturable Rock, Asphalt,  
Frozen Ground, Heavy Clay, & Compacted Soils  
Available Diameters  
6", 8", 9", 10", 12", 15", 16", 18", 20", 24",  
30", 36", 42", 48"



**BULLET ROCK**  
Solid Rock, Concrete, Fracturable Rock,  
Asphalt, Frozen Ground, & Compacted Soils  
Available Diameters  
4.5", 6", 8", 9", 10", 12", 15", 18", 24", 30", 36"

NOTE: As with all rock augers, performance depends upon down force and torque applied to the auger.

## SPECIALTY AUGERS



**ROCK DRILL**  
Pilot holes or setting posts up to  
2" O.D. in solid rock



**TREE**  
Tree and Shrub Planting  
Available Diameters  
18" - 9", 24" - 12", 30" - 15",  
36" - 18"



**WOBBLE**  
AUGER

Danuser's patented Wobble Auger digs through tough ground conditions without leaving a dirt pile mess at the top or bottom of the hole.

**Pushes Through**

Dirt	Asphalt	Embedded Rock
Sand	Compacted Rock	Frozen Ground
Clay		Clay

Available Diameters  
4", 6", 9"

NOTE: We recommend the 9" Wobble Auger be used on a skid-steer with an Operating Load or Rated Operating Capacity of 2250 lbs. or greater, utilizing an auger drive with 2000 ft. lbs. of torque or greater.

## MOUNTING OPTIONS

To see all mounting options, visit [www.danuser.com](http://www.danuser.com).



Skid-Steer / Front-End Loader  
Quick Attach  
Center & Offset



Offset Quick Attach  
Front-End Loader Mounts  
John Deere 200-500 Series (shown above), &  
Euro/Global



Backhoe & Excavator  
Quick Attach  
Mounting Kits



Backhoe & Excavator  
Pin-On Mounting Kits



Bolt-On  
Bucket

Hose kits and couplers available.

## FISHTAIL POINTS



D



HF



C

## TEETH

**GAGE**  
Fab & Cast  
(Outside)



D

HF

**WISDOM**  
Fab  
(Inside)



D

HF

C

**CHISEL**  
Cast  
(Inside)



D

HF

C

Dirt = D    Hardfaced = HF    Carbide = C

## BACKHOE & EXCAVATOR QUICK ATTACH MOUNTING KITS

Quick Attach Mounting Kits include cradle.

\* USA models only. Will not fit gray market machines.

PN	MAKES & MODELS	WT.	PRICE
180565	BOBCAT X-Change	90	\$520.00
180477	CAT 2008-2013 302D, 302.4D, 302.5, 302.5C, 302.7D	80	\$465.00
180484	CAT 305.5E/304C CR	90	\$625.00
180469	CAT 420D & 420E (pin grabber)	110	\$745.00
190160	JD 17D/17G	74	\$465.00
180508	JD 26G/27D/30G/35D/35G (wedge)	96	\$465.00
180512	JD 50D/50G/60G (wedge)	115	\$465.00
*180548	KUBOTA KX057	114	\$465.00
*190156	KUBOTA KX080	154	\$465.00

PN	MAKES & MODELS	WT.	PRICE
*180552	KUBOTA U25 & U27	90	\$465.00
*180556	KUBOTA KX141-3	109	\$465.00
*180539	KUBOTA KX161-3 & U45	91	\$465.00
*180544	KUBOTA C39/45, KX71-3, KX040, KX91-3, KX121-3, U35	110	\$465.00
180560	TAG Pin Grabber Style (quick coupler)	74	\$625.00
180572	TAG QC27 Style (quick coupler)	78	\$825.00
192008	TAG QC30 Style (quick coupler)	78	\$925.00
180533	YANMAR VIO27/35 (quick coupler)	85	\$625.00
180521	YANMAR VIO40/45/50/55 (quick coupler)	85	\$625.00

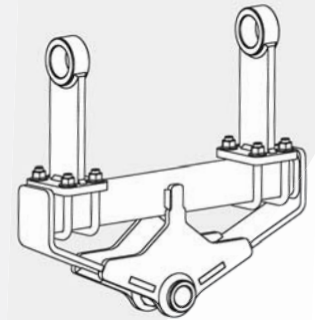
## BACKHOE & EXCAVATOR PIN-ON MOUNTING KITS

For dipperstick widths from 3-1/2" to 13". Mounting Kits do not include dipperstick pin.

**Not for use on vehicles with stick breakout force greater than 28,250 lbs. or vehicle max operating weight greater than 55,000 lbs.**

PN	BUCKET PIN DIA.	WT.	PRICE
180435	1" (25mm)	36	\$290.00
180436	30mm	36	\$290.00
180437	1-1/4"	36	\$290.00
180438	1-3/8" (35mm)	36	\$290.00
180439	1-1/2"	36	\$290.00
180440	40mm	36	\$290.00

PN	BUCKET PIN DIA.	WT.	PRICE
180441	1-5/8"	43	\$430.00
180442	1-3/4"	43	\$430.00
180443	45mm	45	\$430.00
180444	50mm	45	\$430.00
180445	2"	45	\$430.00
180446	55mm	45	\$430.00

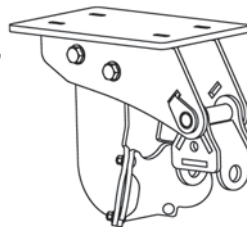


## UNIVERSAL & BOLT-ON MOUNTING KITS

### UNIVERSAL MOUNTING KIT

Mounting Kit requires fabrication and welding for installation to machine. Weldable dimensions are 10" wide and 16" long. Two cradle positions for transporting at 15° or 30° angles. **Includes** plate, knuckle, cradle, and hardware.

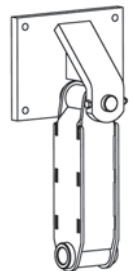
PN	WT.	PRICE
192015	65	\$325.00



### BOLT-ON BUCKET KIT

Mounting Kit attaches the drive unit to a flat vertical surface. **Includes** plate and knuckle assembly. Does not include bucket mounting hardware.

PN	WT.	PRICE
190203	43	\$280.00

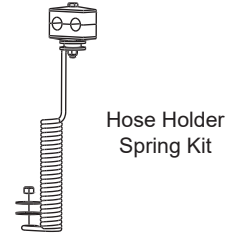


If you do not see your make or model listed, contact Danuser.

**CALL FOR PRICE ON CUSTOM MOUNTS**

## HOSES & HYDRAULIC ACCESSORIES

PN	DESCRIPTION	WT.	PRICE
196035	<b>Cross Port Relief Valve</b> Required for pressures exceeding 3500 PSI.	7	\$355.00
190172	<b>1/2" Hose Holder Spring Kit</b> Allows adjustment of hose routing to reduce pinching and tugging.	2	\$45.00
196027	<b>1/2" Hose Kit, 108" with Couplers &amp; Abrasion Sleeves</b> Includes 1/2" flush-face couplers (ISO 16028).	14	\$225.00
196025	<b>1/2" Hose Kit, 108" with Abrasion Sleeves</b> Includes fittings. Does not include quick couplers.	10	\$150.00
196056	<b>Front-End Loader Hose Kit</b> 1/2" hoses, 25' long, with 1/2" flush-face couplers (ISO 16028) on one end to connect to 196027 Hose Kit above (sold separately), and ISO 7241 Series A couplers (compatible with ISO 5675 Pioneer couplers) on the opposite end to connect to tractor rear remotes. <b>Includes</b> bolt-on/weld-on mounting bracket.	35	\$375.00



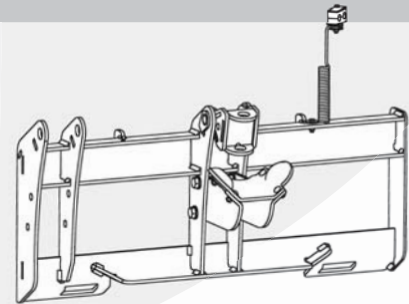
## MOUNTS

### SKID-STEER QUICK ATTACH - CENTER & OFFSET

Mounting Kit attaches the drive unit to skid-steer quick attach with standard 2-pin system and SAE quick couplers. Two mounting positions available allow use with front-end loaders and skid-steers, and two cradle positions for transporting at 15° or 30° angles.

**Includes** knuckle, cradle, hose holder spring kit, and hardware.

PN 180415



PN	WT.	PRICE
180415	158	\$450.00
*180415CSE	158	\$485.00

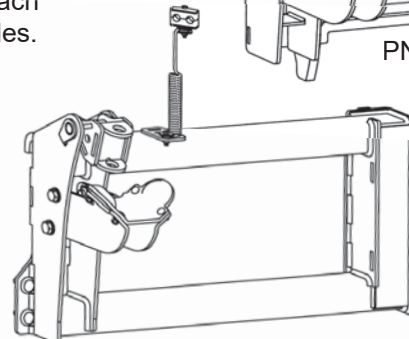
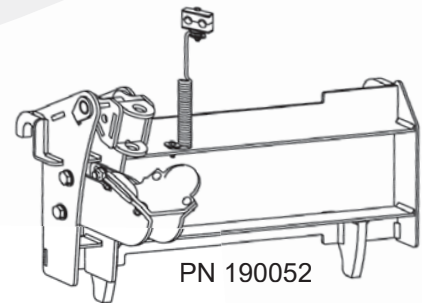
\* Fits Case Models 1835B, 1835C, & 1840

### FRONT-END LOADER QUICK ATTACH - OFFSET

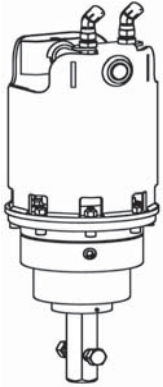
Mounting Kit attaches the drive unit to front-end loader quick attach systems. Two cradle positions for transporting at 15° or 30° angles.

**Includes** knuckle, cradle, hose holder spring kit, and hardware.

PN	DESCRIPTION	WT.	PRICE
190052	Euro/Global	108	\$475.00
190053	John Deere 200-500	194	\$650.00



## EP AUGER SYSTEMS PRICE SHEET



### 5-Year Warranty Lifetime covering output pullout

Heavy-duty performance at an exceptional price. Drive units range from 6 - 35 GPM and up to 3500 PSI with 2" hex output spindles. Mounts are available for skid-steer, front-end loader, backhoe, and excavator.

### TO PRICE A COMPLETE SYSTEM:

Drive Units	_____
Hoses & Hyd. Accessories (pg. 2)	_____
Mounts (pgs. 2-3)	_____
Augers & Accessories (pgs. 4-10)	_____
Freight	_____
<b>TOTAL</b>	_____

**⚠ WARNING** This product can expose you to chemicals known to the State of California to cause cancer and birth defects or other reproductive harm. For more information go to [www.P65Warnings.ca.gov/product](http://www.P65Warnings.ca.gov/product).

### DRIVE UNITS

#### MODEL EP615

**\$1,665.00**

<b>Part No.</b>	<b>180405</b>
<b>Approx. Ship Weight (lbs.)</b>	<b>140</b>
Maximum Auger Diameter	24"
Hydraulic Flow	6 - 15 GPM
Maximum Hydraulic Pressure	3500 PSI
Maximum Hydraulic Back Pressure	1500 PSI
Gearbox Ratio	3.86:1

<i>Vehicle auxiliary flow (GPM)</i>					
6	8	10	12	14	15
36	48	60	73	85	91
<i>Auger bit speed (RPM)</i>					

<i>Vehicle auxiliary pressure (PSI)</i>			
2000	2500	3000	3500
1014	1267	1520	1774
<i>Drive unit torque (ft.-lbs.)</i>			

#### MODEL EP1020

**\$1,775.00**

<b>Part No.</b>	<b>180406</b>
<b>Approx. Ship Weight (lbs.)</b>	<b>142</b>
Maximum Auger Diameter	30"
Hydraulic Flow	10 - 20 GPM
Maximum Hydraulic Pressure	3500 PSI
Maximum Hydraulic Back Pressure	1500 PSI
Gearbox Ratio	3.86:1

<i>Vehicle auxiliary flow (GPM)</i>					
10	12	14	16	18	20
48	58	68	77	87	97
<i>Auger bit speed (RPM)</i>					

<i>Vehicle auxiliary pressure (PSI)</i>			
2000	2500	3000	3500
1270	1587	1904	2222
<i>Drive unit torque (ft.-lbs.)</i>			

#### MODEL EP1530

**\$1,850.00**

<b>Part No.</b>	<b>180407</b>
<b>Approx. Ship Weight (lbs.)</b>	<b>143</b>
Maximum Auger Diameter	36"
Hydraulic Flow	15 - 30 GPM
Maximum Hydraulic Pressure	3500 PSI
Maximum Hydraulic Back Pressure	1500 PSI
Gearbox Ratio	3.86:1

<i>Vehicle auxiliary flow (GPM)</i>					
15	18	20	24	28	30
49	59	65	78	92	98
<i>Auger bit speed (RPM)</i>					

<i>Vehicle auxiliary pressure (PSI)</i>			
2000	2500	3000	3500
1874	2342	2811	3279
<i>Drive unit torque (ft.-lbs.)</i>			

#### MODEL EP2035

**\$1,980.00**

<b>Part No.</b>	<b>180408</b>
<b>Approx. Ship Weight (lbs.)</b>	<b>143</b>
Maximum Auger Diameter	36"
Hydraulic Flow	20 - 35 GPM
Maximum Hydraulic Pressure	3500 PSI
Maximum Hydraulic Back Pressure	1500 PSI
Gearbox Ratio	3.86:1

<i>Vehicle auxiliary flow (GPM)</i>					
20	22	26	30	32	35
48	53	63	73	78	85
<i>Auger bit speed (RPM)</i>					

<i>Vehicle auxiliary pressure (PSI)</i>			
2000	2500	3000	3500
2529	3161	3794	4426
<i>Drive unit torque (ft.-lbs.)</i>			