

H&S PARTS BOOK

4112 HI-CAPACITY RAKE



Revision #05

Starting Ser. #021HC12021

HSMFG0919

PART #75479

Manufactured By
H&S MANUFACTURING CO.,INC.
2608 S. HUME AVE. MARSHFIELD, WI 54449
(715) 387-3414 FAX (715) 384-8736

CONTENTS

| | |
|--|-------|
| Instructions for Ordering Parts - About Improvements | 1 |
| Figure 1 - Main Frame Rear | 2-3 |
| Figure 2 - Main Frame Pole & Linkage | 4-5 |
| Figure 3 - Rake Beams & Arms | 6-9 |
| Figure 4 - Gauge Wheel. | 10-11 |
| Figure 5 - Rake Hydraulics | 12-13 |
| Figure 6 - Hydraulic Lift Cylinder | 14-15 |
| Figure 7 - Opening Cylinder. | 16-17 |
| Figure 8 - Optional 2 Wheel Center Kicker | 18-19 |
| Figure 9 - Optional Light | 20-21 |
| Figure 10 - Optional Wind Guard Kit. | 22-23 |
| Figure 11 - Optional Tandem Axle | 24-25 |
| Figure 12 - Optional Tire & Wheel | 26-27 |
| Parts Notes. | 28 |

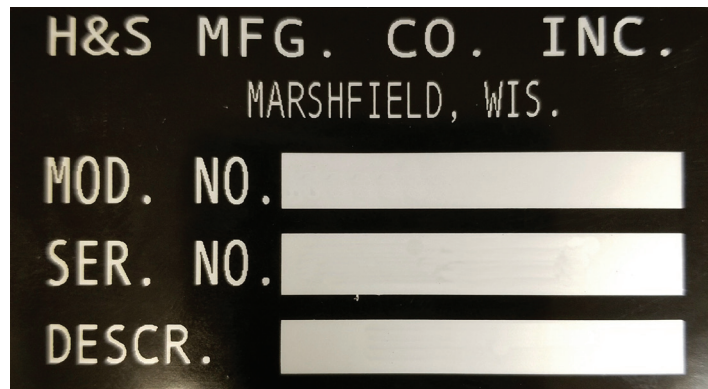
INSTRUCTIONS FOR ORDERING PARTS

All service parts should be ordered through your authorized H&S dealer. He will be able to give you faster service if you will provide them with the following:

1. Model & Serial Number - Both can be located on the left, rear main frame of your unit.
2. All references to left or right apply to the machine as viewed from the rear.
3. Parts should not be ordered from illustration only. Please order complete part number.
4. If your dealer has to order parts - give shipping instructions:

VIA truck - large pieces (please specify local truck lines)

VIA United Parcel Service (include full address)



H&S MFG. CO. INC.
MARSHFIELD, WIS.
MOD. NO.
SER. NO.
DESCR.

PLEASE RECORD NUMBERS FOR YOUR UNIT FOR QUICK REFERENCE

ABOUT IMPROVEMENTS

H&S IS CONTINUALLY STRIVING TO IMPROVE IT'S PRODUCTS

We must therefore, reserve the right to make improvements or changes whenever it becomes practical to do so, without incurring any obligation to make changes or additions to the equipment previously sold.

FIGURE 1
MAIN FRAME REAR

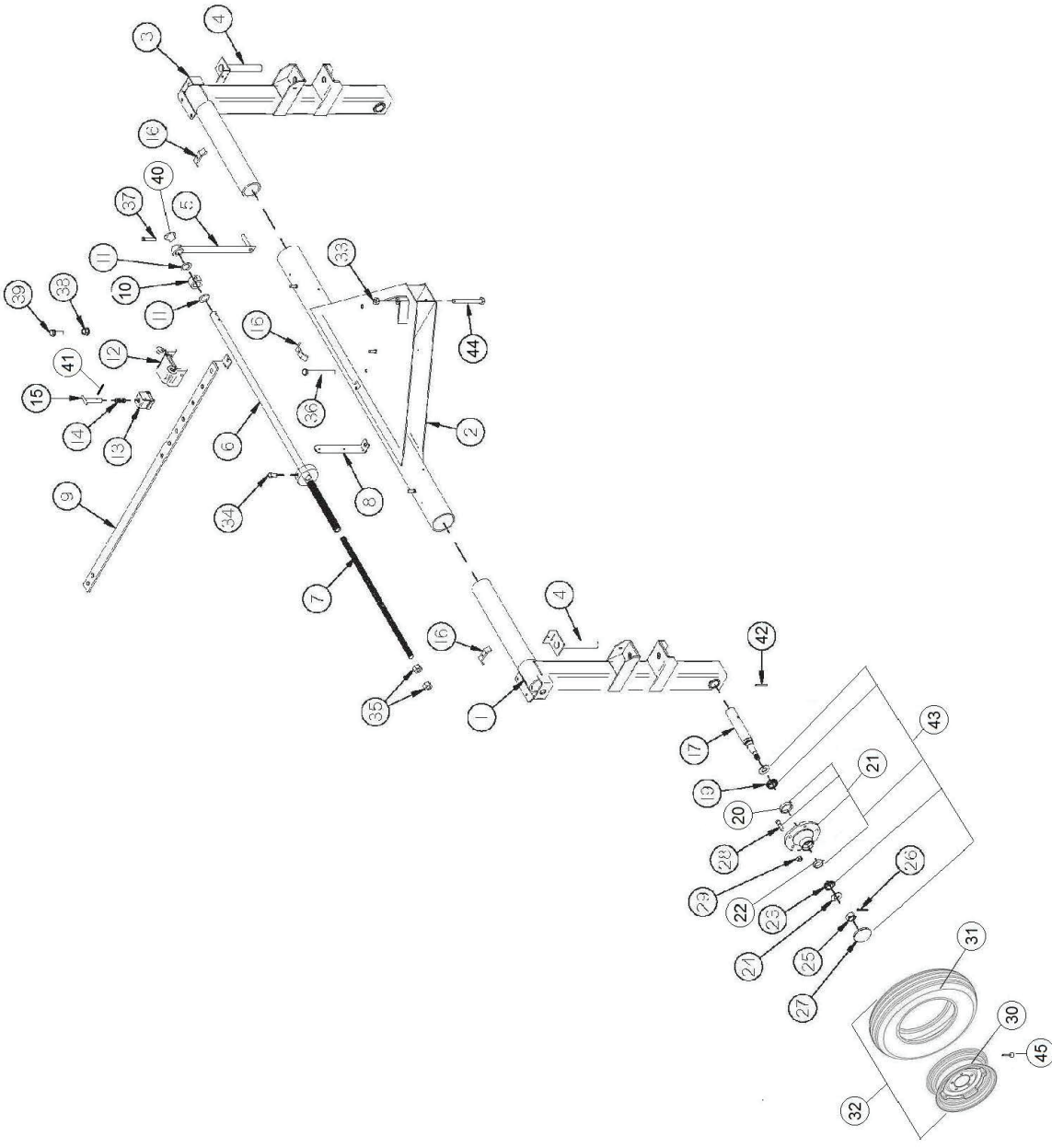


FIGURE 1

MAIN FRAME REAR

| <u>ITEM</u> | <u>QTY</u> | <u>PART#</u> | <u>DESCRIPTION</u> |
|-------------|------------|--------------|----------------------------|
| 1 | 1 | BFR754 | RH AXLE UPRIGHT |
| 2 | 1 | BFR498 | PIVOT REAR |
| 3 | 1 | BFR755 | LH AXLE UPRIGHT |
| 4 | 2 | BFR756 | BEAM PIVOT SHAFT |
| 5 | 1 | BFR423 | WIDTH ADJUSTMENT HANDLE |
| 6 | 1 | BFR485 | WIDTH ADJUSTMENT TUBE REAR |
| 7 | 1 | BFR420 | WIDTH ADJUSTMENT ROD REAR |
| 8 | 1 | BFR649 | SMV BRACKET |
| 9 | 1 | BFR611 | WIDTH ADJUSTMENT BAR |
| 10 | 1 | BFR422 | WIDTH ADJUSTMENT COLLAR |
| 11 | 2 | BFR523 | POLY WASHER |
| 12 | 1 | BFR613 | WIDTH ADJUSTMENT STOP |
| 13 | 1 | BFR239 | SLEEVE ADJUSTABLE LOCK |
| 14 | 1 | BFR240 | SPRING |
| 15 | 1 | BFR241 | ADJUSTMENT HANDLE |
| 16 | 2 | 23N67 | HOSE HOLDER |
| 17 | 2 | BFR449 | SPINDLE |
| 18 | 2 | BFR57 | GREASE SEAL |
| 19 | 2 | 17G145 | TAPERED BEARING |
| 20 | 2 | 17G146 | OUTER RACE |
| 21 | 2 | BFR60 | HUB |
| 22 | 2 | BFR61 | OUTER RACE |
| 23 | 2 | BFR62 | OUTER BEARING |
| 24 | 2 | YWFL24010 | WASHER FLAT, 3/4 |
| 25 | 2 | YNLS24010 | NUT HEX, SLOTTED, 3/4 |
| 26 | 2 | YPCT05010 | COTTER PIN, 5/32 X 1-1/2 |
| 27 | 2 | BFR66 | HUB CAP |
| 28 | 10 | YBSD16005 | STUD BOLT, 1/2 X 1-7/8 |
| 29 | 10 | YNWL1600 | WHEEL NUT, 1/2 |
| 30 | 2 | BFR67 | WHEEL 5 X 15 |
| 31 | 2 | BFR128 | 670 X 15 TIRE 6-PLY |
| 32 | 2 | 32006 | 6.70-15 TIRE ON 5X15 WHEEL |
| 33 | 1 | YNHX20005 | NUT HEX, 5/8 |
| 34 | 1 | YBHH16010 | BOLT HEX, 1/2 X 1 G5 |
| 35 | 2 | YNAC24005 | NUT HEX, 3/4 |
| 36 | 1 | YBHH20085 | BOLT HEX, 5/8 X 5 G5 |
| 37 | 1 | YBHH12090 | BOLT HEX, 3/8 X 2-1/2 G5 |
| 38 | 1 | BFR642 | WIDTH ADJUSTMENT SPACER |
| 39 | 1 | YSHW10010 | HEX WASHER, 5/16 |
| 40 | 1 | BFR636 | PLASTIC PIPE CAP |
| 41 | 1 | YPCT05020 | COTTER PIN, 5/32 X 1-3/4 |
| 42 | 2 | YPEX12025 | EXPANSION PIN, 3/8 X 2-3/4 |
| 43 | 2 | BFR75 | COMPLETE GROUND WHEEL HUB |
| 44 | 1 | YBHH20107 | BOLT HEX, 5/8 X 7-1/2 G5 |
| 45 | 2 | 72436 | VALVE STEM, 1-1/2 |

FIGURE 2 MAIN FRAME POLE AND LINKAGE

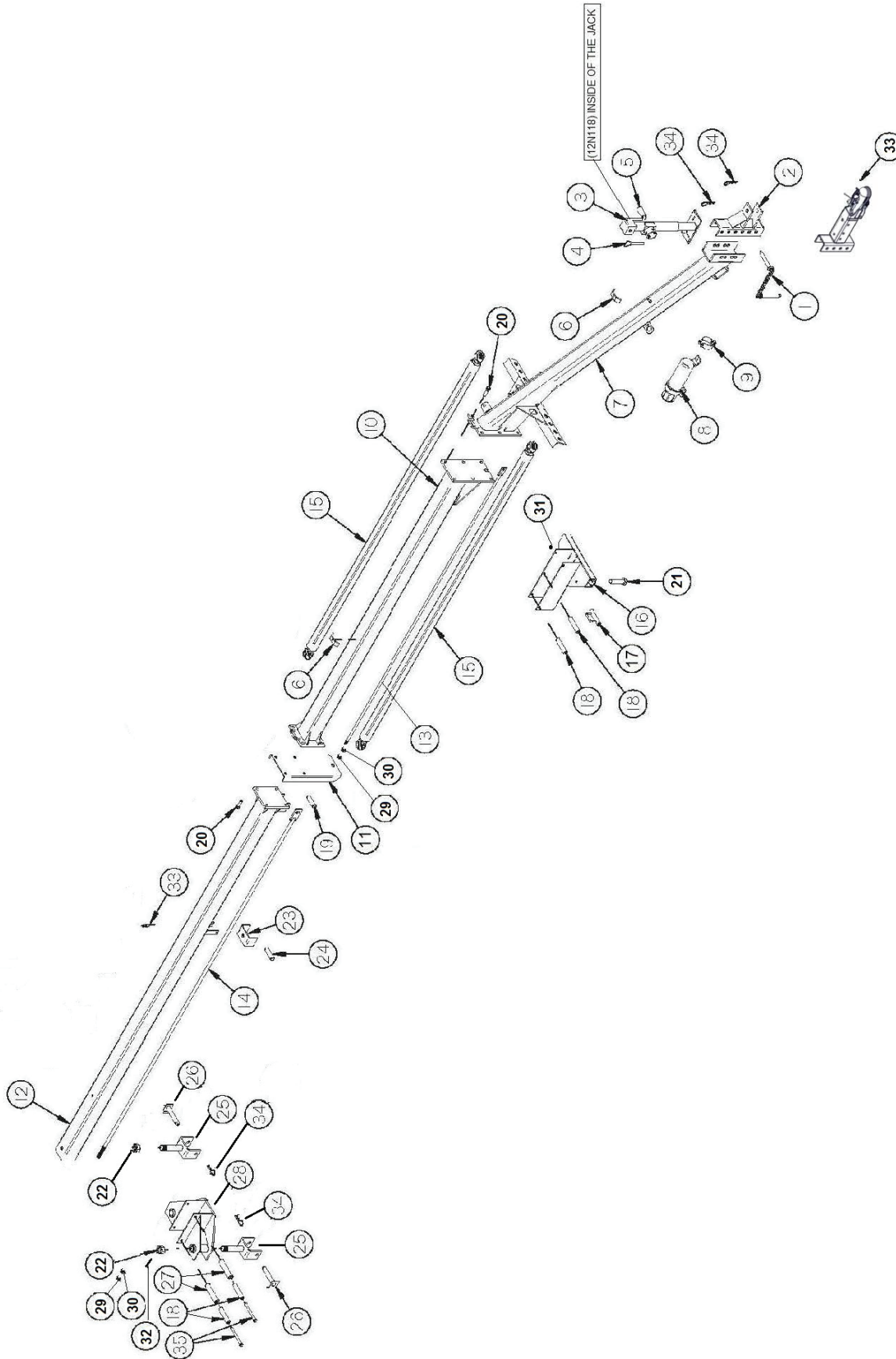


FIGURE 2

MAIN FRAME POLE AND LINKAGE

| <u>ITEM</u> | <u>QTY</u> | <u>PART#</u> | <u>DESCRIPTION</u> |
|-------------|------------|--------------|--|
| 1 | 1 | BFR450 | HITCH PIN |
| 2 | 1 | BFR157 | HITCH |
| 3 | 1 | BFR753 | JACK |
| 4 | 1 | 12N117 | JACK PIN W/CHAIN |
| 5 | 1 | 5N78 | JACK HANDLE |
| * | 1 | 12N118 | REPLACEMENT BEARING |
| 6 | 2 | HE42 | HOSE HOLDER |
| 7 | 1 | BFR660 | POLE |
| 8 | 1 | S522 | MANUAL HOLDER |
| 9 | 1 | S523 | MANUAL CLAMP - LARGE |
| 10 | 1 | BFR385 | CENTER POLE SECTION |
| 11 | 1 | BFR399 | LINKAGE STOP |
| 12 | 1 | BFR397 | CENTER POLE SECTION BACK |
| 13 | 1 | BFR502 | ROD FRONT |
| 14 | 1 | BFR503 | ROD BACK |
| 15 | 2 | BFR390 | LINKAGE FRONT |
| 16 | 1 | BFR387 | LINKAGE SLIDER FRONT |
| 17 | 1 | BFR388 | HOSE GUIDE SPACER |
| 18 | 4 | BFR389 | SLIDER SPACER |
| 19 | 1 | BFR396 | CYLINDER PIN |
| 20 | 10 | YBHH20025 | BOLT HEX, 5/8 X 2 G5 |
| 21 | 2 | YBHH32010 | BOLT HEX, 1 X 3-1/2 G5 |
| 22 | 2 | YNSL36005 | NUT HEX, SLOTTED, 1-1/4"-12 |
| 23 | 1 | BFR402 | HOSE GUIDE |
| 24 | 1 | BFR634 | CYLINDER PIN |
| 25 | 2 | BFR410 | LINKAGE YOKE BACK RH |
| 26 | 2 | BFR413 | PIVOT YOKE SHAFT PIN |
| 27 | 2 | BFR404 | SLIDER ROLLER BACK |
| 28 | 1 | BFR440 | LINKAGE SLIDER BACK |
| 29 | 3 | YNHX24010 | NUT HEX, 3/4 |
| 30 | 3 | YNSF24006 | NUT HEX, SERRATED FLANGE 3/4 |
| 31 | 2 | YNHX16005 | NUT HEX, 1/2 |
| 32 | 2 | YPCT05025 | COTTER PIN, 5/32 X 2 |
| 33 | 1 | 76461 | BALL HITCH W/LDMNT, 2-5/16 BALL (OPTIONAL) |
| * | 1 | 78464 | HITCH EXTENSION |
| 34 | 2 | YPHR06040 | HAIR PIN, 3/16 X 3-3/4 |
| 35 | 2 | YBHH16160 | BOLT HEX, 1/2 X 5-1/2 G5 |

*MEANS NOT SHOWN

FIGURE 3 RAKE BEAM AND ARMS

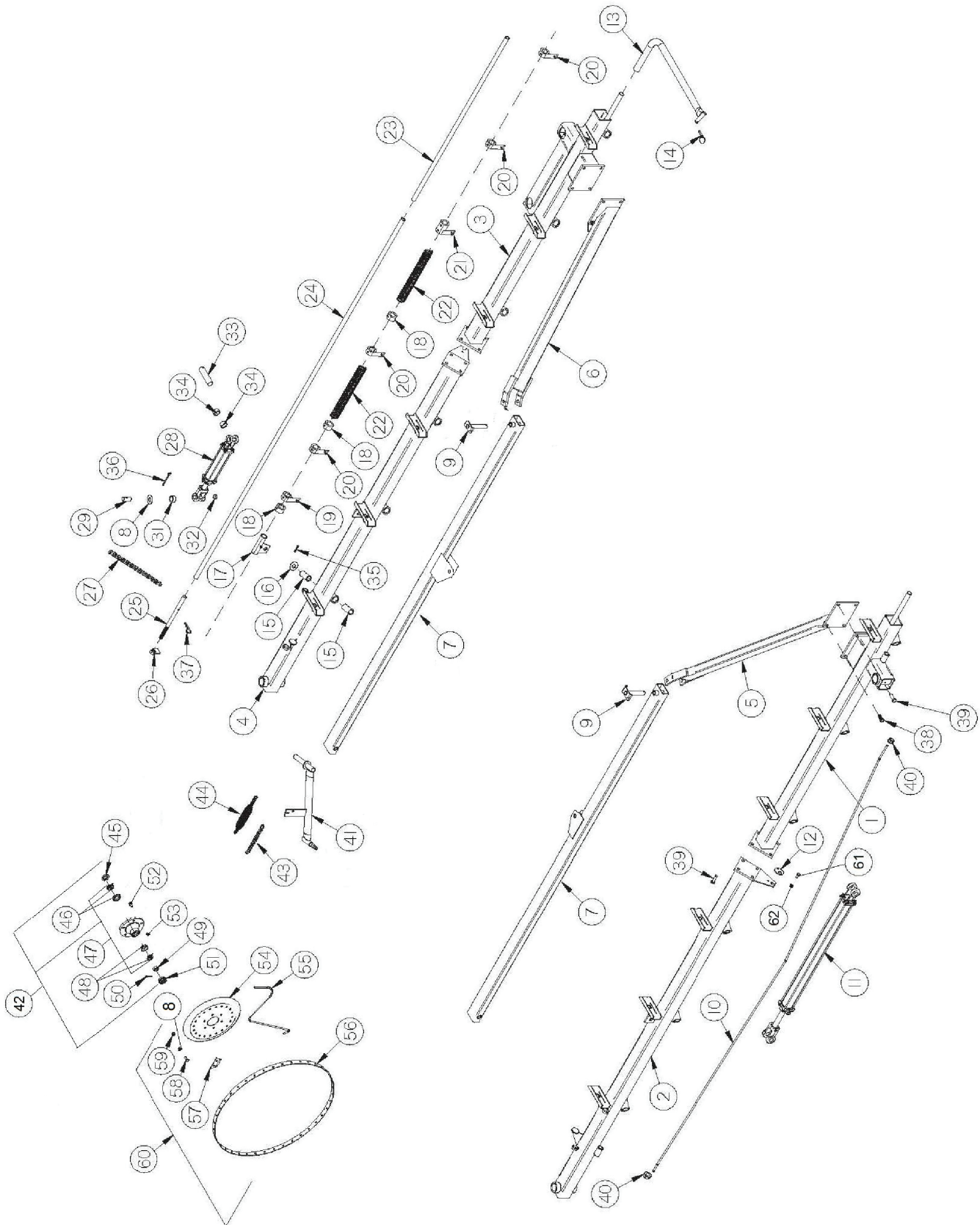


FIGURE 3

RAKE BEAM AND ARMS

| <u>ITEM</u> | <u>QTY</u> | <u>PART#</u> | <u>DESCRIPTION</u> |
|-------------|------------|--------------|---------------------------------|
| 1 | 1 | BFR406 | RH RAKE BEAM FRONT |
| 2 | 1 | BFR758 | RH BACK RAKE BEAM |
| 3 | 1 | BFR407 | LH RAKE BEAM FRONT |
| 4 | 1 | BFR759 | LH RAKE BEAM BACK |
| 5 | 1 | BFR391 | RH RAKE BEAM ARM |
| 6 | 1 | BFR392 | LH RAKE BEAM ARM |
| 7 | 2 | BFR394 | RH LINKAGE REAR |
| 8 | 1 | YWLO76015 | WASHER LOCK, M10 |
| 9 | 2 | BFR393 | RAKE BEAM ARM PIN |
| 10 | 1 | BFR612 | SIDE ARM STABILIZER ROD |
| 11 | 1 | 56004 | HYDRAULIC CYLINDER |
| 12 | 1 | DF22 | WASHER |
| 13 | 1 | BFR384 | LH TRANSPORT LOCK PIPE |
| * | 1 | BFR415 | RH TRANSPORT LOCK PIPE |
| 14 | 2 | YPLY12010 | LYNCH PIN, 3/8 X 1-3/4 |
| 15 | 24 | BFR425 | RAKE ARM BUSHING W/FLANGE |
| 16 | 12 | BFR229 | RAKE ARM WASHER |
| 17 | 1 | BFR428 | LH HYDRAULIC CYLINDER END SLIDE |
| * | 1 | BFR429 | RH HYDRAULIC CYLINDER END SLIDE |
| 18 | 6 | BFR82 | PIPE CLAMPS |
| 19 | 2 | BFR622 | SPRING BRACKET (2 HOLE) |
| 20 | 4 | BFR431 | LH SPRING BRACKET |
| * | 4 | BFR430 | RH SPRING BRACKET |
| 21 | 2 | BFR432 | LH LIFTING PIPE CONNECTOR |
| * | 2 | BFR433 | RH LIFTING PIPE CONNECTOR |
| 22 | 4 | BFR84 | COMPRESSION SPRING |
| 23 | 2 | BFR520 | LIFTING PIPE FRONT |
| 24 | 2 | BFR519 | LIFTING PIPE BACK |
| 25 | 2 | BFR427 | RAKE ARM LOCK-UP SHAFT |
| 26 | 2 | BFR426 | RAKE PRESSURE HANDLE |
| 27 | 2 | BFR111 | RAKE ARM ADJUSTMENT CHAIN BACK |
| 28 | 2 | 55999 | HYDRAULIC LIFT CYLINDER |
| 29 | 2 | BFR517 | PIN |
| 30 | 2 | 16SV136 | WASHER |
| 31 | 2 | K106 | CYLINDER SPACER |

***MEANS NOT SHOWN**

FIGURE 3 RAKE BEAM AND ARMS

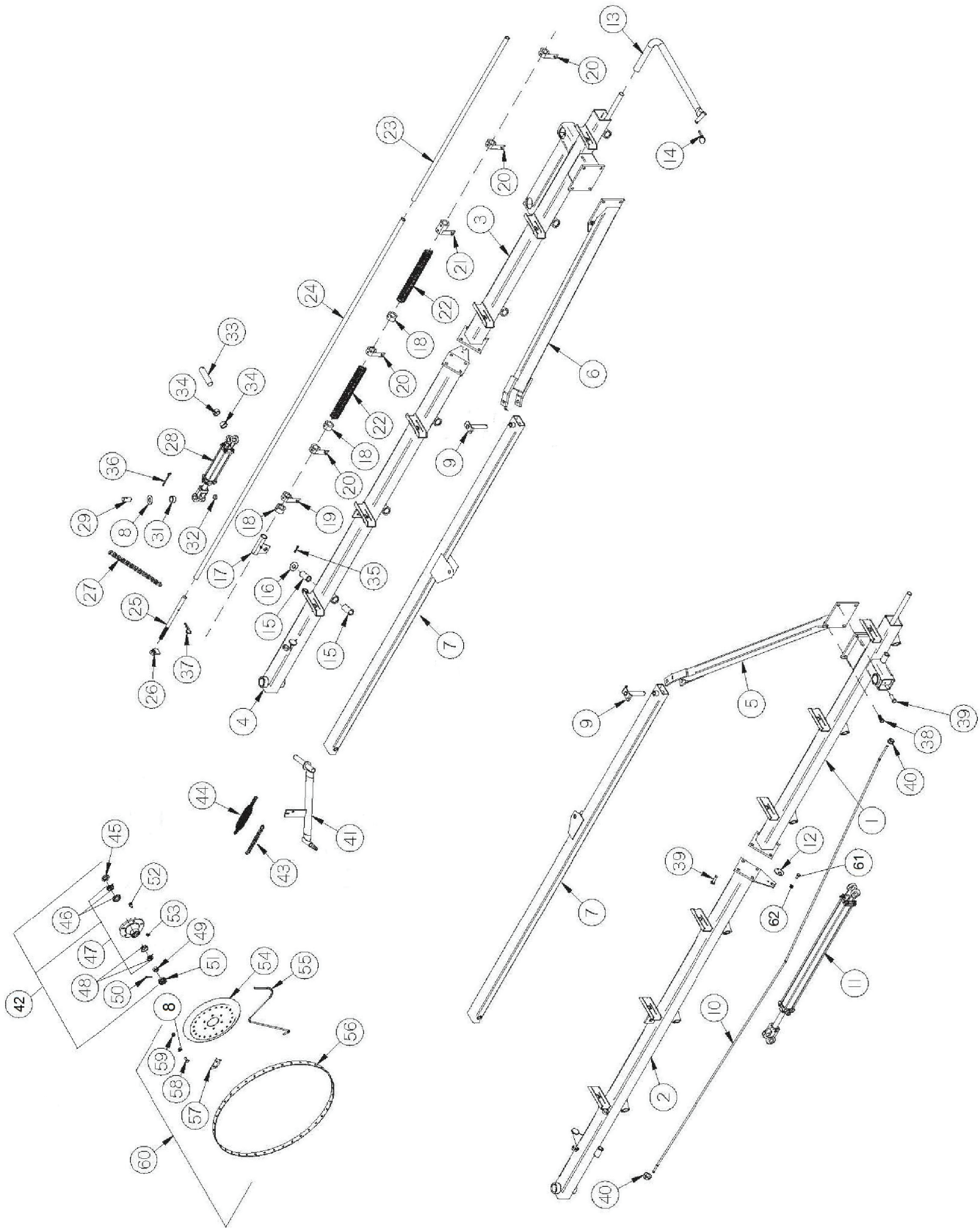


FIGURE 3

RAKE BEAM AND ARMS

| <u>ITEM</u> | <u>QTY</u> | <u>PART#</u> | <u>DESCRIPTION</u> |
|-------------|------------|--------------|---------------------------------|
| 32 | 2 | BFR506 | NYLON WEAR BLOCK |
| 33 | 2 | T143 | CYLINDER PIN |
| 34 | 4 | X94 | CYLINDER SPACERS EXPANSION |
| 35 | 1 | YPEX10015 | COTTER PIN, 5/16 X 1-3/4 |
| 36 | 2 | YPCT07005 | COTTER PIN, 7/32 X 2 |
| 37 | 2 | YPHR08040 | HAIR PIN, 1/4 X 5 |
| 38 | 4 | YBHH20020 | BOLT HEX, 5/8 X 1-3/4 G5 |
| 39 | 4 | YBHH20025 | BOLT HEX, 5/8 X 2 G6 |
| 40 | 2 | YNFG24005 | NUT HEX, FLANGED-LOCK, 3/4 |
| 41 | 12 | BFR436 | RAKE ARM LH |
| * | 12 | BFR437 | RAKE ARM RH |
| 42 | 12 | 1081 | RAKE WHEEL HUB AND SPINDLE |
| 43 | 12 | BFR140 | RAKE ARM ADJUSTMENT CHAIN |
| 44 | 12 | BFR138 | RAKE ARM SPRING |
| 45 | 12 | T163 | SEAL |
| 46 | 12 | 600012 | INNER BEARING AND RACE |
| 47 | 12 | BFR32 | RAKE WHEEL HUB |
| 48 | 12 | 600012 | INNER BEARING AND RACE |
| 49 | 12 | YNSL24010 | NUT HEX, SLOTTED, 3/4 |
| 50 | 12 | YPCT05010 | COTTER PIN, 5/32 X 1-1/2 |
| 51 | 12 | T173 | HUB CAP |
| 52 | 60 | YBHH76005 | BOLT HEX, 10MM X 25MM |
| 53 | 60 | YNHX76015 | HEX NUT, 10MM |
| 54 | 12 | T179 | RAKE WHEEL CENTER |
| 55 | 480 | T176 | RAKE WHEEL TOOTH |
| 56 | 12 | T177 | OUTER RING |
| 57 | 10 | T178 | RAKE TOOTH CLIP |
| 58 | 20 | YBCR76005 | BOLT CARRIAGE, 10MM X 25MM 10MM |
| 59 | 20 | YNCL76005 | TOP LOCK NUT |
| 60 | 12 | T174 | RAKE WHEEL LH |
| * | 12 | BFR31 | RAKE WHEEL RH |
| 61 | 8 | YBHH10010 | BOLT HEX, 5/16 X 1 G5 |
| 62 | 8 | YWFLO10005 | WASHER LOCK, 5/16 |

*MEANS NOT SHOWN

FIGURE 4
GAUGE WHEEL

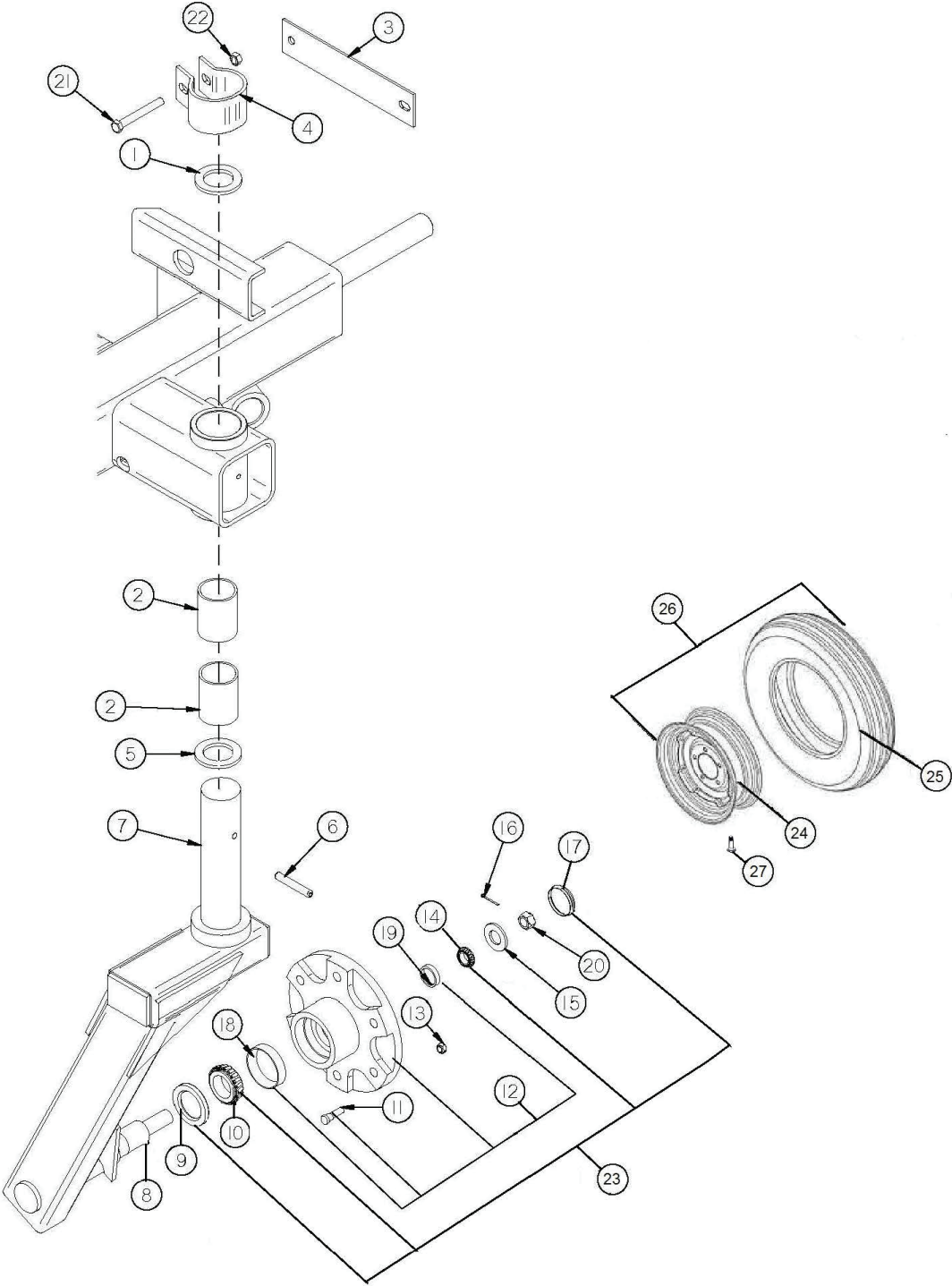


FIGURE 4 GAUGE WHEEL

| <u>ITEM</u> | <u>QTY</u> | <u>PART#</u> | <u>DESCRIPTION</u> |
|-------------|------------|--------------|---------------------------------------|
| 1 | 1 | BFR309 | GAUGE WHEEL WASHER |
| 2 | 2 | RG26 | BUSHING, BRONZE, GAUGE WHEEL |
| 3 | 1 | BFR310 | BRAKE PAD (2) |
| 4 | 1 | BFR311 | BRAKE COLLAR |
| 5 | 1 | RG24 | BRONZE WASHER |
| 6 | 1 | YPEX10025 | EXPANSION PIN, 5/16 X 2-3/4 |
| 7 | 1 | BFR312 | RH COMPLETE FORK |
| * | 1 | BFR316 | LH COMPLETE FORK |
| 8 | 1 | BFR56 | SPINDLE |
| 9 | 1 | BFR57 | GREASE SEAL |
| 10 | 1 | 17G145 | TAPERED ROLLER BEARING, 1.249 BORE |
| 11 | 5 | YBSD16005 | STUD BOLT, 1/2 X 1-7/8 (3/8 SHOULDER) |
| 12 | 1 | BFR60 | HUB W/RACES |
| 13 | 5 | YNWL16005 | WHEEL NUT, 1/2 |
| 14 | 1 | BFR62 | OUTER BEARING |
| 15 | 1 | YWFL24010 | WASHER FLAT, 3/4 |
| 16 | 1 | YPCT05010 | COTTER PIN, 5/32 X 1-1/2 |
| 17 | 1 | BFR66 | HUB CAP |
| 18 | 1 | 17G146 | OUTER RACE |
| 19 | 1 | BFR61 | OUTER RACE |
| 20 | 1 | YNL24010 | NUT HEX, SLOTTED, 3/4 |
| 21 | 1 | YBHH12125 | BOLT HEX, 3/8 X 3 G5 |
| 22 | 1 | YNHX12005 | NUT HEX, 3/8 |
| 23 | 1 | BFR75 | COMPLETE HUB GROUND WHEEL |
| 24 | 1 | BFR67 | WHEEL 5 X 15 |
| 25 | 1 | BFR128 | 6.70 X 15 TIRE |
| 26 | 1 | 32006 | 6.70-15 TIRE ON 5X15 WHEEL |
| 27 | 1 | 72436 | VALVE STEM, 1-1/2 |

***MEANS NOT SHOWN**

FIGURE 5 RAKE HYDRAULICS

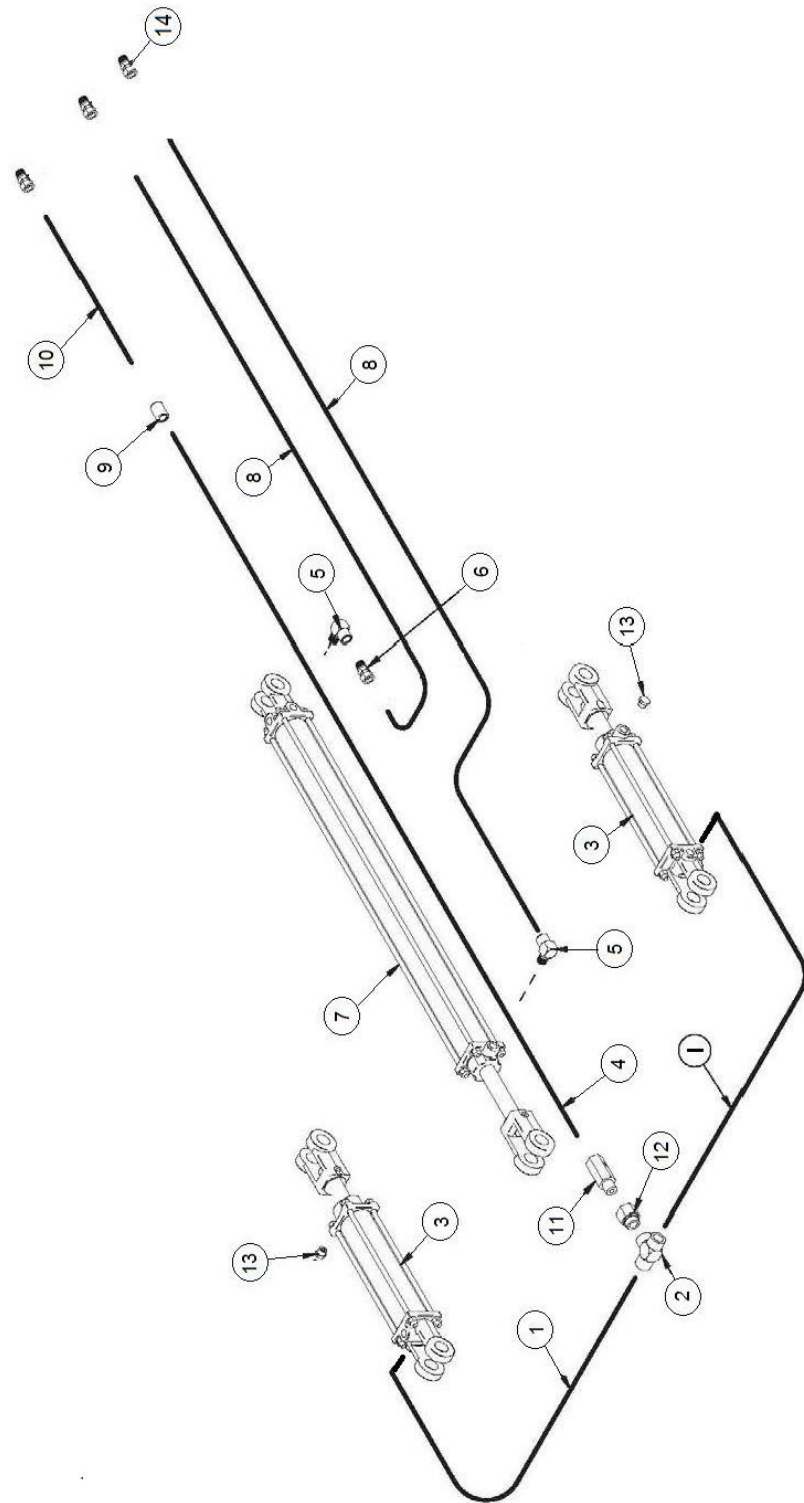


FIGURE 5 RAKE HYDRAULICS

| <u>ITEM</u> | <u>QTY</u> | <u>PART#</u> | <u>DESCRIPTION</u> |
|-------------|------------|--------------|-------------------------------|
| 1 | 2 | 37N60 | HOSE, 108 |
| 2 | 1 | BFR74 | FEMALE TEE, 3/8 |
| 3 | 2 | 55999 | HYDRAULIC LIFT CYLINDER |
| 4 | 1 | 23N302 | HOSE, 264 |
| 5 | 2 | 23N234 | STREET ELBOW, 3/8 |
| 6 | 1 | 58723 | MALE ADAPTER UNION W/ ORIFICE |
| 7 | 1 | 56004 | HYDRAULIC OPEN CYLINDER |
| 8 | 2 | BFR621 | HOSE, 256 |
| 9 | 1 | HE60 | PIPE COUPLER, 3/8 |
| 10 | 1 | BFR448 | HOSE, 66 |
| 11 | 1 | BFR554 | FLOW VALVE |
| 12 | 1 | BFR555 | ADAPTER |
| 13 | 2 | BFR70 | VENT PLUG |
| 14 | 3 | DWM205 | COUPLERS |

FIGURE 6 **HYDRAULIC LIFT CYLINDER**

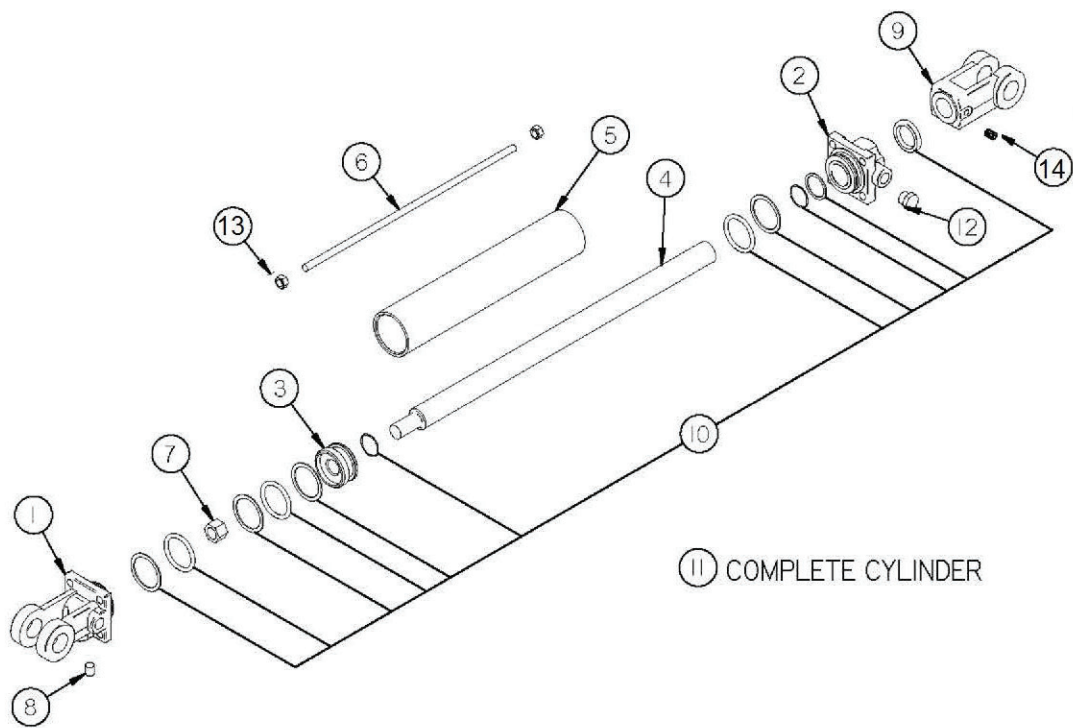


FIGURE 6
HYDRAULIC LIFT CYLINDER

| <u>ITEM</u> | <u>QTY</u> | <u>PART#</u> | <u>DESCRIPTION</u> |
|-------------|------------|--------------|------------------------------|
| 1 | 1 | 23N142A | CLEVIS CAP |
| 2 | 1 | 56174 | ROD CAP |
| 3 | 1 | 56180 | PISTON |
| 4 | 1 | T184A | ROD |
| 5 | 1 | BFR68 | CYLINDER TUBE |
| 6 | 4 | T186 | TIE ROD |
| 7 | 1 | 23N148 | PISTON NUT |
| 8 | 1 | 23N149 | PLUG |
| 9 | 1 | 23N150A | ROD CLEVIS |
| 10 | 1 | 56187 | SEAL KIT |
| 11 | 1 | 55999 | COMPLETE CYLINDER |
| 12 | 1 | BFR70 | VENT PLUG |
| 13 | 8 | YNHX12006 | NUT HEX, 3/8 G2 |
| 14 | 1 | YSSO12015 | SCREW SET, SOCKET, 3/8 X 3/8 |

FIGURE 7 OPENING CYLINDER

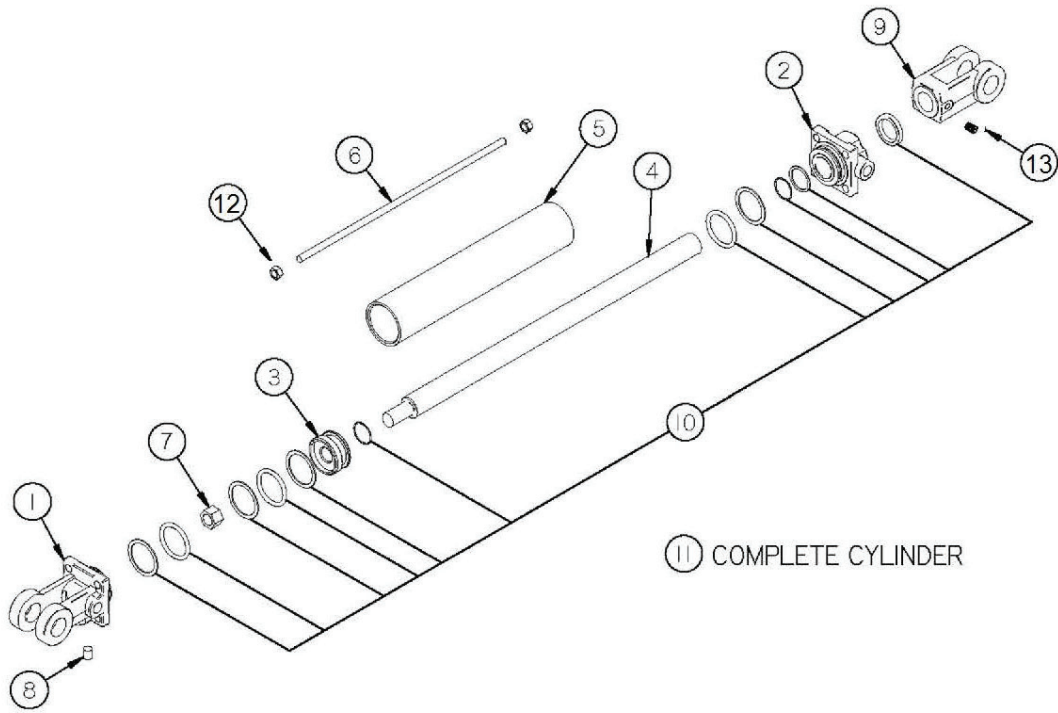


FIGURE 7 OPENING CYLINDER

| <u>ITEM</u> | <u>QTY</u> | <u>PART#</u> | <u>DESCRIPTION</u> |
|-------------|------------|--------------|------------------------------|
| 1 | 1 | 23N142A | CLEVIS CAP |
| 2 | 1 | 56174 | ROD CAP |
| 3 | 1 | 56180 | PISTON |
| 4 | 1 | BFR654 | ROD |
| 5 | 1 | BFR655 | CYLINDER TUBE |
| 6 | 4 | BFR656 | TIE ROD |
| 7 | 1 | 23N148 | PISTON NUT |
| 8 | 1 | 23N149 | PLUG |
| 9 | 1 | 23N150A | ROD CLEVIS |
| 10 | 1 | 56187 | SEAL KIT |
| 11 | 1 | 56004 | COMPLETE CYLINDER |
| 12 | 8 | YNHX12006 | NUT HEX, 3/8 G2 |
| 13 | 1 | YSSO12015 | SCREW SET, SOCKET, 3/8 X 3/8 |

FIGURE 8 **OPTIONAL 2 WHEEL CENTER KICKER WHEEL**

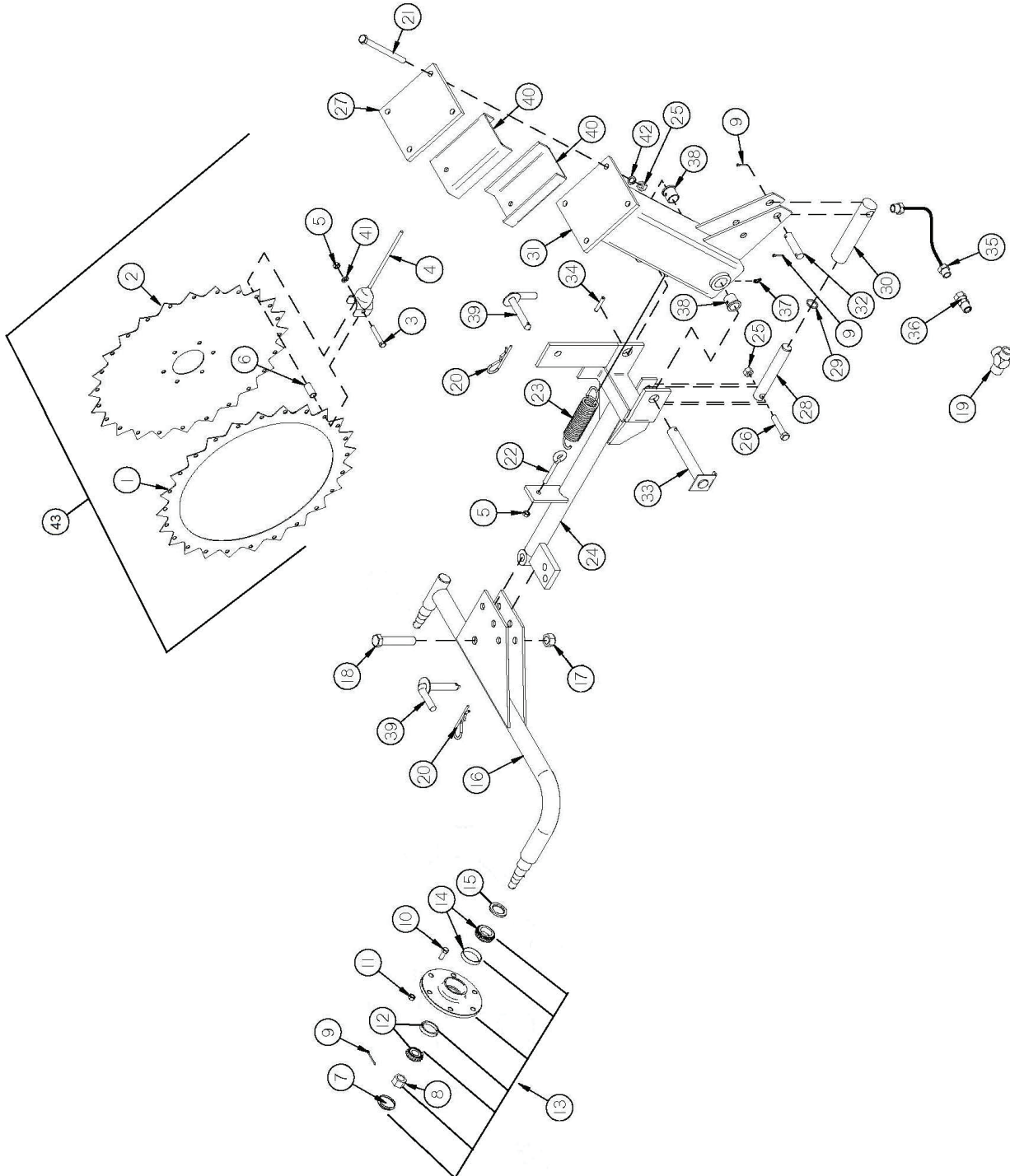


FIGURE 8

OPTIONAL 2 WHEEL CENTER KICKER WHEEL

| <u>ITEM</u> | <u>QTY</u> | <u>PART#</u> | <u>DESCRIPTION</u> |
|-------------|------------|--------------|-----------------------------------|
| 1 | 1 | BFR369 | RAKE WHEEL RING |
| 2 | 1 | BFR370 | RAKE WHEEL CENTER |
| 3 | 1 | YBHH12100 | BOLT HEX, 3/8 X 2-1/4 G5 |
| 4 | 1 | T82 | RAKE WHEEL TOOTH |
| 5 | 2 | YNTL12005 | NUT HEX, TOP LOCK, 3/8 |
| 6 | 1 | BFR371 | RAKE WHEEL SPACER |
| 7 | 1 | T173 | HUB CAP |
| 8 | 1 | YNSL24010 | NUT HEX, SLOTTED, 3/4 |
| 9 | 1 | YPCT05010 | COTTER PIN, 5/32 X 1-1/2 |
| 10 | 1 | YBHH76005 | BOLT HEX, 10MM X 25MM |
| 11 | 1 | YNHX76015 | NUT HEX, 10MM |
| 12 | 1 | 600014 | OUTER BEARING RACE |
| 13 | 1 | 1081 | RAKE WHEEL HUB AND SPINDLE |
| 14 | 1 | 600012 | INNER BEARING RACE |
| 15 | 1 | T163 | SEAL |
| 16 | 1 | BFR511 | CENTER KICKER WHEEL ARM |
| 17 | 1 | YNTL24005 | NUT HEX, TOP LOCK, 3/4 |
| 18 | 1 | YBHH24050 | BOLT HEX, 3/4 X 3 G5 |
| 19 | 1 | BFR74 | PIPE TEE, 3/8 |
| 20 | 2 | YPHR02010 | HAIR PIN, #21-07 |
| 21 | 4 | YBHH16175 | BOLT HEX, 1/2 X 6-1/2 G5 |
| 22 | 1 | YBTE12025 | BOLT TURNED EYE, 3/8 X 3 |
| 23 | 1 | BR62 | SPRING |
| 24 | 1 | BFR512 | CENTER KICKER WHEEL PIVOT |
| 25 | 6 | YNTL16005 | NUT HEX, TOP LOCK, 1/2 |
| 26 | 1 | YBHH16080 | BOLT HEX, 1/2 X 2-1/2 G5 |
| 27 | 1 | BFR513 | KICKER WHEEL MOUNT |
| 28 | 1 | BFR114 | PISTON |
| 29 | 1 | BFR115 | O-RING |
| 30 | 1 | BFR116 | HYDRAULIC CYLINDER |
| 31 | 1 | BFR514 | KICKER WHEEL OFFSET |
| 32 | 1 | BFR515 | CYLINDER PIN |
| 33 | 1 | BFR379 | AXLE SHAFT |
| 34 | 1 | YPEX10015 | EXPANSION PIN, 5/16 X 1-3/4 |
| 35 | 1 | BFR121 | HOSE |
| 36 | 1 | 58720 | 3/8 MALE ADPTER WITH .022 ORIFICE |
| 37 | 1 | RG21 | GREASE ZERK, 45 DEGREE |
| 38 | 2 | BFR27 | BUSHING |
| 39 | 1 | BFR197 | LOCKING PIN |
| 40 | 2 | BFR516 | FILLER PLATE |
| 41 | 4 | YWLO12005 | WASHER LOCK, 3/8 |
| 42 | 4 | YWLO16005 | WASHER LOCK, 1/2 |
| 43 | 1 | BFR748 | COMPLETE WHEEL ASSEMBLY |

FIGURE 9 OPTIONAL LIGHTS

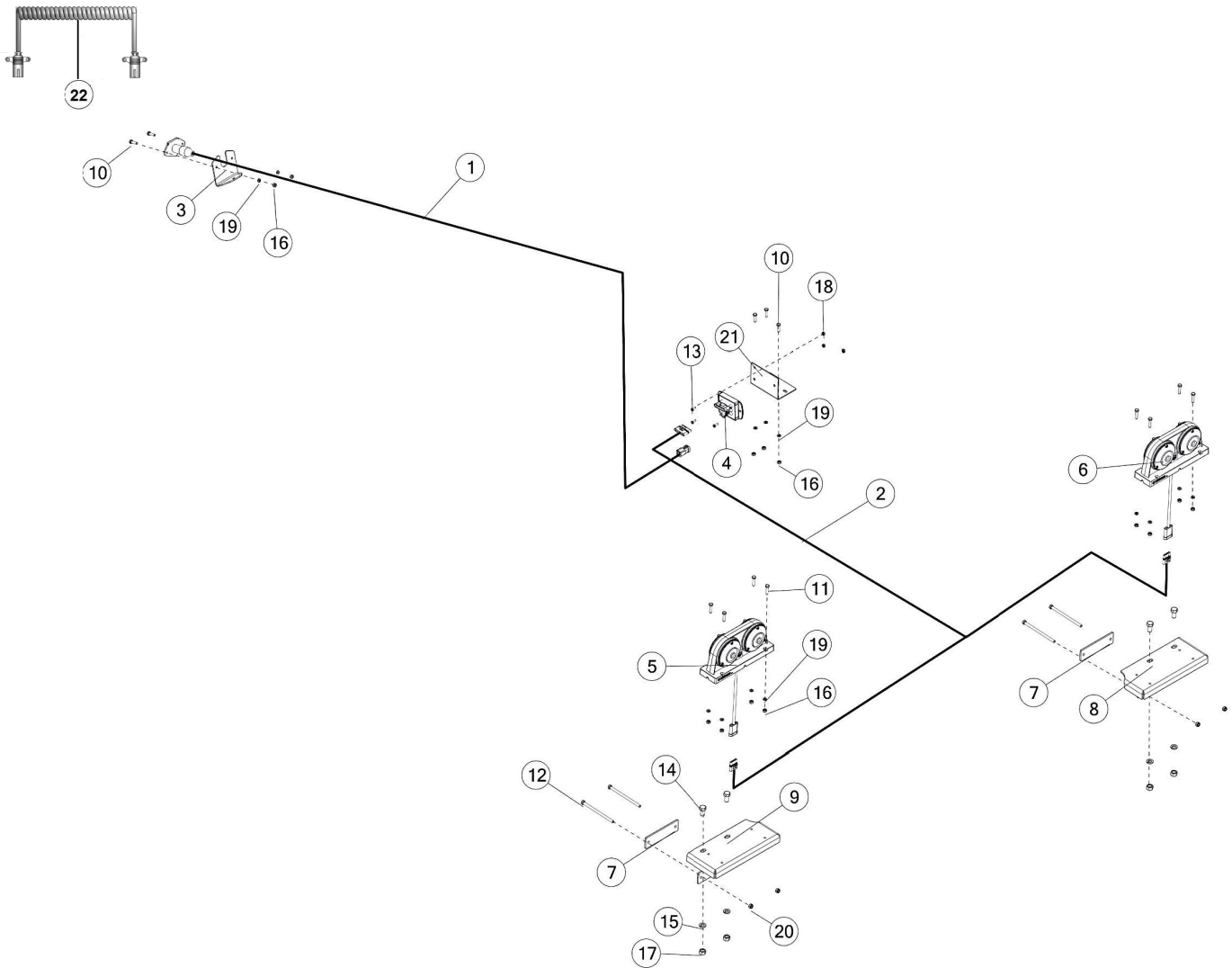


FIGURE 9

OPTIONAL LIGHTS

| <u>ITEM</u> | <u>QTY</u> | <u>PART#</u> | <u>DESCRIPTION</u> |
|-------------|------------|--------------|-----------------------------|
| 1 | 1 | BFR668 | LIGHT HARNESS |
| 2 | 1 | 77847 | ELEC HARNESS, LIGHT REAR |
| 3 | 1 | BFR659 | LIGHT BRACKET |
| 4 | 1 | 69908 | MODULE CONTROL BLINKER |
| 5 | 1 | 77923 | LH TAIL LIGHT |
| 6 | 1 | 77924 | RH TAIL LIGHT |
| 7 | 2 | 77977 | LIGHT BRACKET, PLATE |
| 8 | 1 | 77844 | RH LIGHT BRACKET |
| 9 | 1 | 77846 | LH LIGHT BRACKET |
| 10 | 2 | YBHH08005 | BOLT HEX 1/4 X 1 G2 |
| 11 | 8 | YBHH08030 | BOLT HEX 1/4 X 1-1/4 G2 |
| 12 | 4 | YBHH10133 | BOLT HEX 5/16 X 5-1/2 G5 |
| 13 | 3 | YSPN64005 | SCREW PAN HEAD #10-24 X 5/8 |
| 14 | 4 | YBHH16010 | BOLT HEX 1/2 X 1 G5 |
| 15 | 4 | YWLO16005 | WASHER LOCK, 1/2 |
| 16 | 13 | YNHX08005 | NUT HEX, 1/4 G5 |
| 17 | 4 | YNHX16005 | NUT HEX, 1/2 G2 |
| 18 | 3 | YNNY64005 | NUT HEX, #10-24 G2 |
| 19 | 13 | YWLO08005 | WASHER LOCK, 1/4 |
| 20 | 4 | YNNY10005 | NUT HEX, 5/16 G2 |
| 21 | 1 | 78369 | MODULE BRACKET |
| 22 | 1 | TLPC | TRANSPORT LIGHT CORD |

FIGURE 10
OPTIONAL WIND GUARD KIT

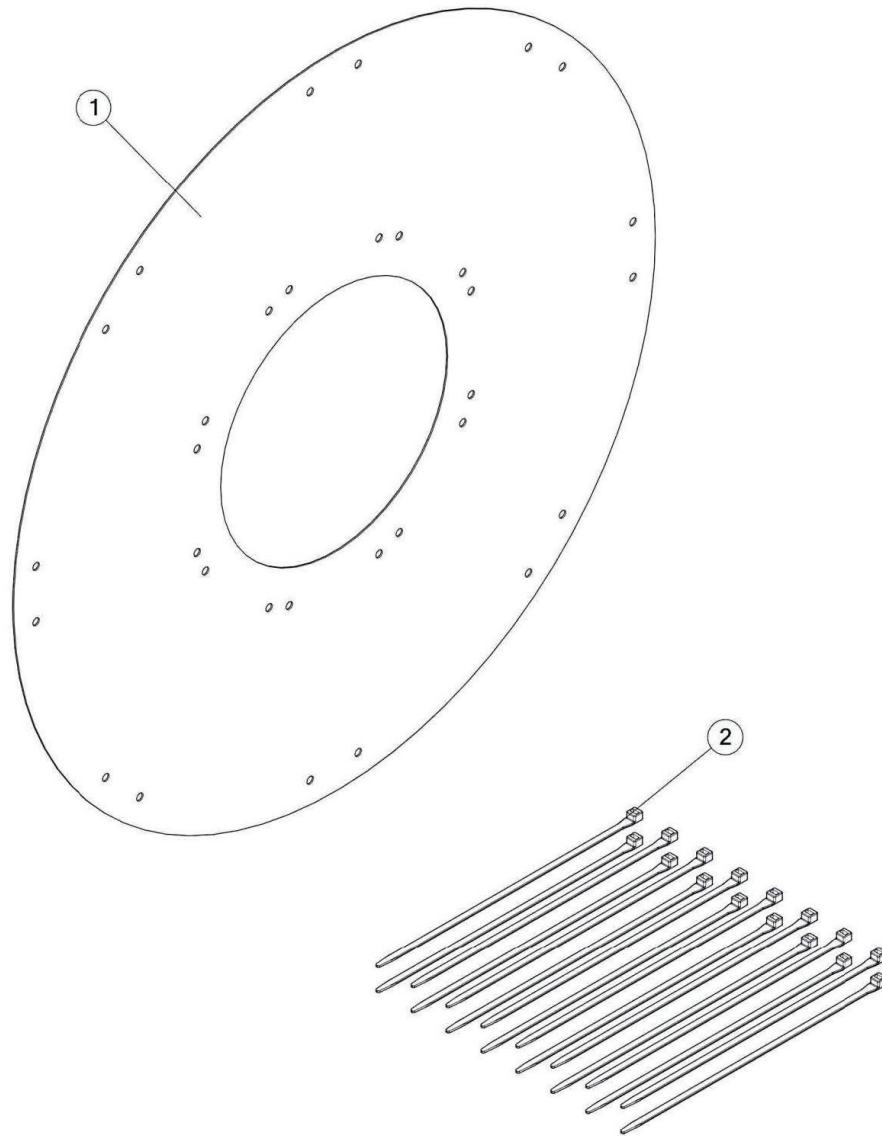


FIGURE 10
OPTIONAL WIND GUARD KIT

| <u>ITEM</u> | <u>QTY</u> | <u>PART#</u> | <u>DESCRIPTION</u> |
|-------------|------------|--------------|--------------------------------|
| 1 | 1 | 59040 | POLY WIND GUARD, 55 RAKE WHEEL |
| 2 | 16 | CIZT105 | ZIPTIE, 15.0 X .30 X .08 |

FIGURE 11 OPTIONAL TANDEM AXLE

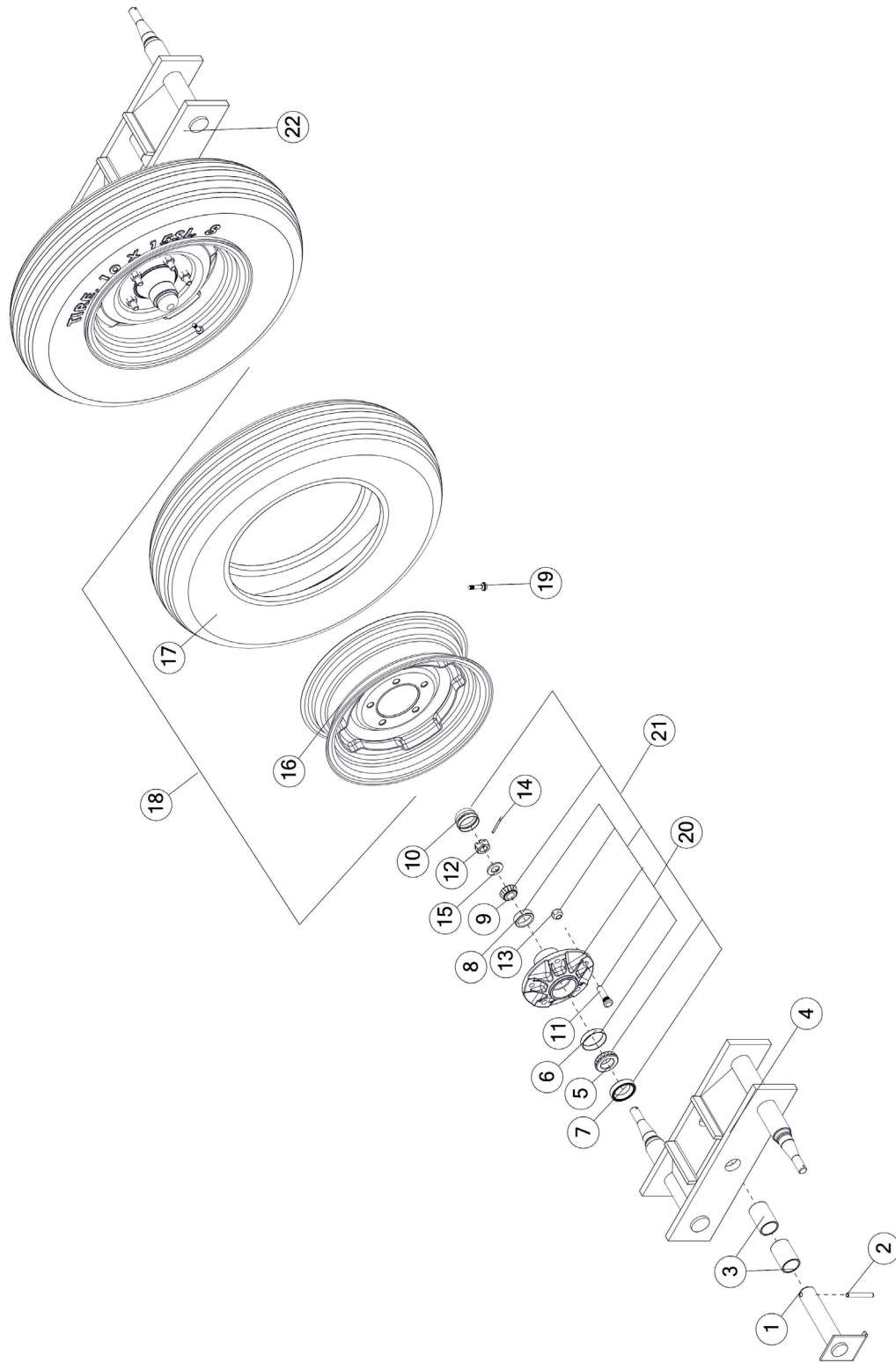


FIGURE 11

OPTIONAL TANDEM AXLE

| <u>ITEM</u> | <u>QTY</u> | <u>PART#</u> | <u>DESCRIPTION</u> |
|-------------|------------|--------------|---------------------------------------|
| 1 | 2 | BFR524 | TANDEM PIN |
| 2 | 2 | YPEX12025 | EXPANSION PIN, 3/8 X 2-3/4 |
| 3 | 4 | BFR625 | BRONZE BUSHING |
| 4 | 1 | BFR509 | RH TANDEM AXLE |
| 5 | 2 | 17G145 | TAPERED ROLLER BEARING, 1.249 BORE |
| 6 | 2 | 17G146 | OUTER RACE |
| 7 | 2 | BFR57 | GREASE SEAL |
| 8 | 2 | BFR61 | OUTER RACE |
| 9 | 2 | BFR62 | OUTER BEARING |
| 10 | 2 | BFR66 | HUB CAP |
| 11 | 10 | YBSD16005 | BOLT STUD, 1/2 X 1-7/8 X 3/8 G5 |
| 12 | 2 | YNSL24010 | NUT SLOT, 3/4 |
| 13 | 10 | YNWL16005 | NUT WHEEL, 1/2 G5 |
| 14 | 2 | YPCT05010 | COTTER PIN 5/32 X 1-1/2 |
| 15 | 2 | YWFL24010 | WASHER FLAT, 3/4 |
| 16 | 2 | BFR67 | WHEEL 5 X 15 5 BOLT |
| 17 | 2 | BFR128 | 670 X 15 TIRE 6-PLY |
| * | 2 | 75696 | ST205/75R15-C RADIAL TIRE (OPTIONAL) |
| 18 | 2 | 32006 | 6.70-15 TIRE ON 5X15 WHEEL |
| * | 2 | 75697 | 205/75R15 TIRE ON AG WHEEL (OPTIONAL) |
| 19 | 2 | 72436 | VALVE STEM, 1-1/2 RUBBER |
| 20 | 2 | BFR60 | HUB WITH RACES & STUDS |
| 21 | 2 | BFR75 | HUB ASSY |
| 22 | 1 | BFR510 | LH TANDEM AXLE |

***MEANS NOT SHOWN**

FIGURE 12 OPTIONAL TIRE & WHEEL

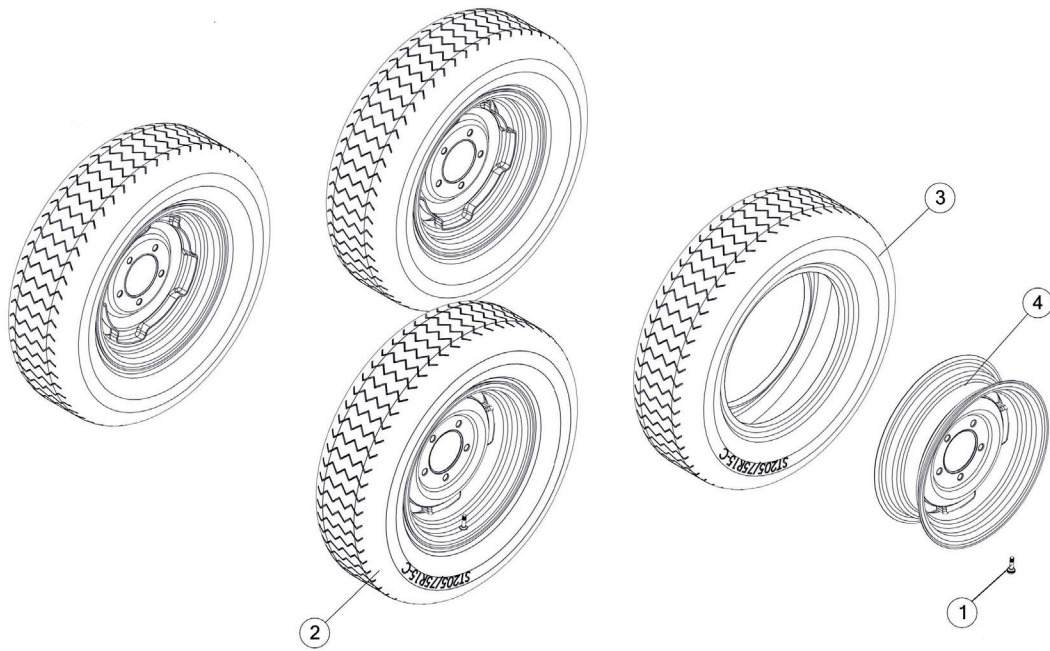


FIGURE 12
OPTIONAL TIRE & WHEEL

| <u>ITEM</u> | <u>QTY</u> | <u>PART#</u> | <u>DESCRIPTION</u> |
|--------------------|-------------------|---------------------|-------------------------------|
| 1 | 4 | 72436 | VALVE STEM, 1-1/2 RUBBER |
| 2 | 4 | 75697 | ST205-75R15C ON 15X5, 5-BOLT |
| 3 | 4 | 75696 | ST205/75R15-C RADIAL TIRE |
| 4 | 4 | BFR67 | WHEEL 5X15 5 BOLT CREAM COLOR |

CHANGE NOTES

1. REMOVED ONE SIDED RAKING ON FIGURE 2 & 3.
2. ADDED COUPLERS TO FIGURE 5.
3. OPTIONAL 3 WHEEL KICKER WHEEL REMOVED PER CRAIG 9.23.19
4. FIG 9 - TLPC REMOVED THE WORD 'OPTIONAL'
5. FIG 12 - TWP205R4 REMOVED, IMAGE CHANGED

H&S MFG. CO.

products approved

for the

FEMA

SEAL OF QUALITY

