

# H&S

# PARTS BOOK

# 5114 HI-CAPACITY RAKE



Revision #08  
Starting Ser. #121HCH4001

HSMFG0920

PART#75694

Manufactured by  
**H&S MANUFACTURING CO., INC.**  
2608 S. HUME AVE. MARSHFIELD, WI 54449  
(715) 387-3414 | [hsmfgco.com](http://hsmfgco.com)



# CONTENTS

Instructions For Ordering Parts – About Improvements .....	1
Figure 1 - Front Pole Assembly .....	2-3
Figure 2 – Frame & Components .....	4-5
Figure 3 – Back Linkage Assembly .....	6-7
Figure 4 – Rear Pivot & Components .....	8-9
Figure 5 – Rear Hub Assembly .....	10-11
Figure 6 – Linkage Assembly .....	12-13
Figure 7 – RH Rake Beam Assembly .....	14-15
Figure 8 – LH Rake Beam Assembly .....	16-17
Figure 9 – Rake Wheel Assembly .....	18-19
Figure 10 – Hub & Brake Assembly .....	20-21
Figure 11 – Hydraulics .....	22-23
Figure 12 – Hydraulic Lift Cylinder .....	24-25
Figure 13 – Hydraulic Opening Cylinder .....	26-27
Figure 14 – Optional 2 Wheel Extension .....	28-29
Figure 15 – Optional 2 Wheel Center Kicker Wheel .....	30-31
Figure 16 – Optional 3 Wheel Center Kicker Wheel .....	32-33
Figure 17 – Optional Wind Guard .....	34-35
Figure 18 – Optional Rake Lights .....	36-37
Figure 19 – Optional Tire & Wheel .....	38-39
Parts Notes - .....	40

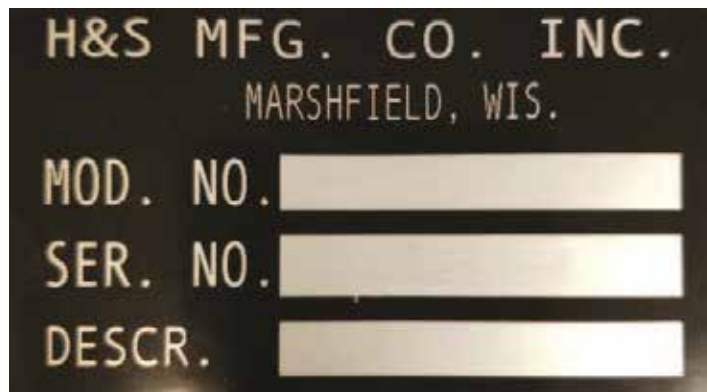
# **INSTRUCTIONS FOR ORDERING PARTS**

All service parts should be ordered through your authorized H&S dealer. He will be able to give you faster service if you will provide them with the following:

1. Model & Serial Number - Both can be located on the left, rear main frame of your unit
2. All references to left or right apply to the machine as viewed from the rear.
3. Parts should not be ordered from illustration only. Please order complete part number.
4. If your dealer has to order parts - give shipping instructions:

VIA truck - large pieces (please specify local truck lines)

VIA United Parcel Service (include full address)



H&S MFG. CO. INC.  
MARSHFIELD, WIS.

MOD. NO.

SER. NO.

DESCR.

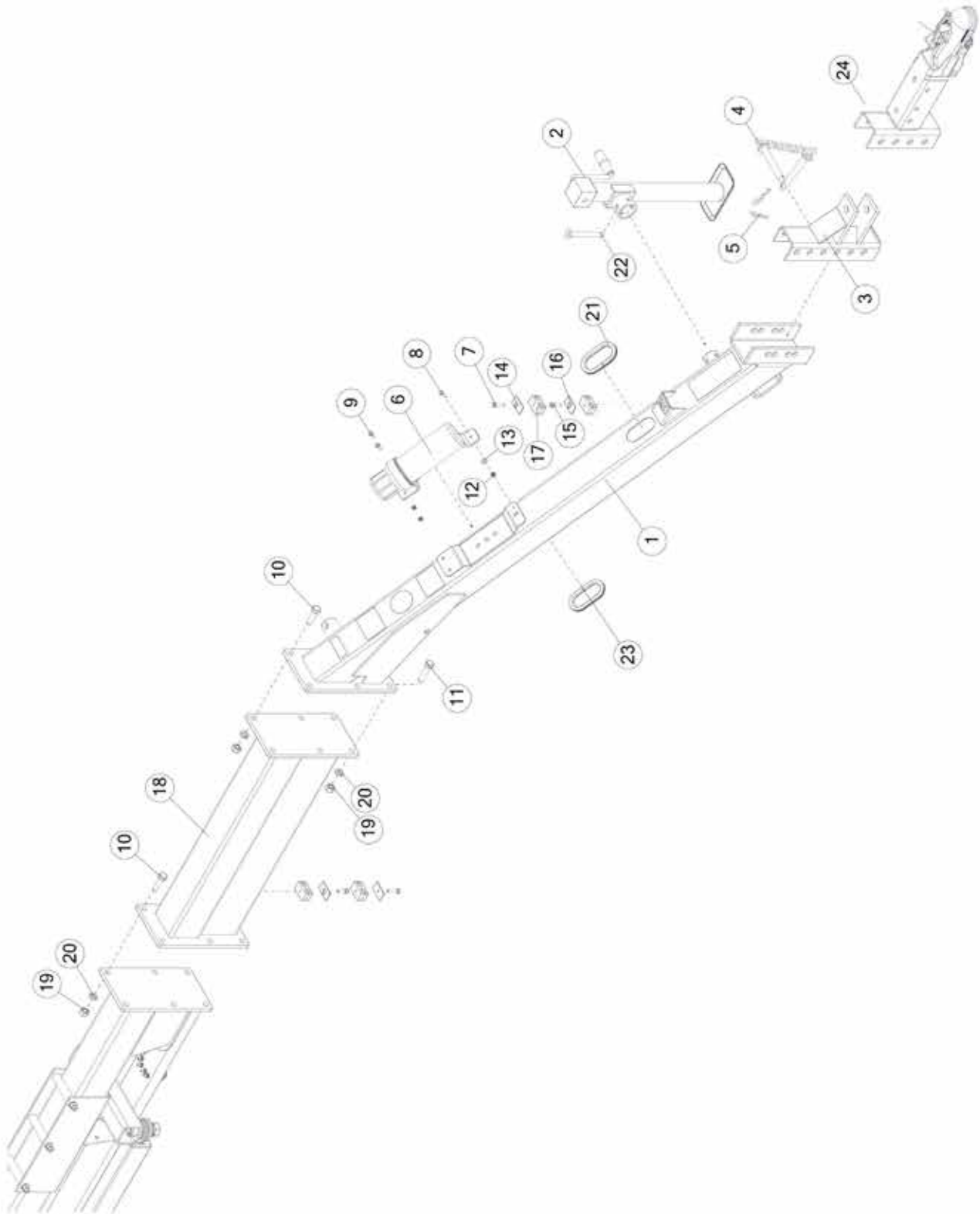
PLEASE RECORD NUMBERS FOR YOUR UNIT FOR QUICK REFERENCE

## **ABOUT IMPROVEMENTS**

H&S IS CONTINUALLY STRIVING TO IMPROVE IT'S PRODUCTS

We must therefore, reserve the right to make improvements or changes whenever it becomes practical to do so, without incurring any obligation to make changes or additions to the equipment previously sold.

# FIGURE 1 FRONT POLE ASSEMBLY



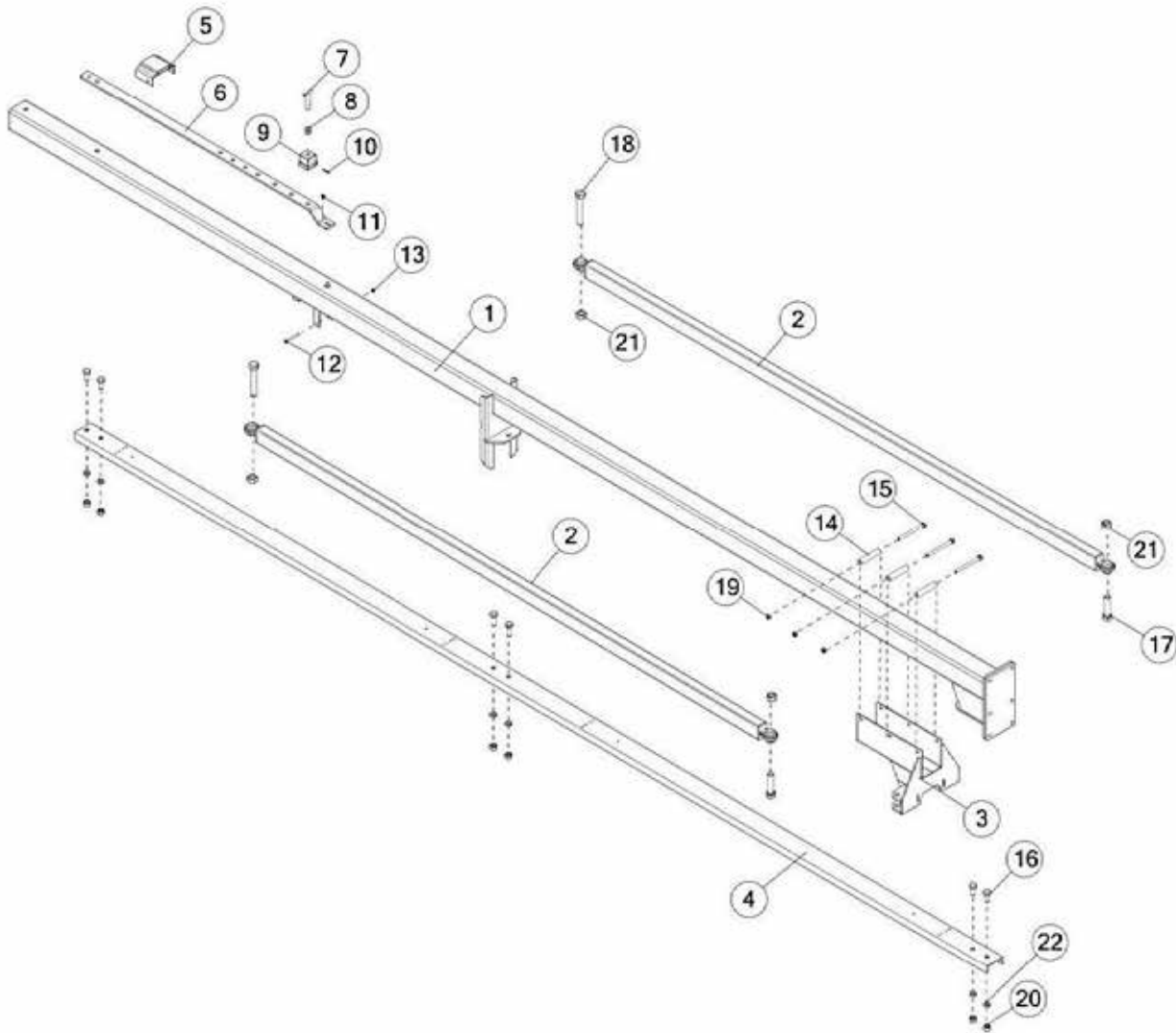
# FIGURE 1

## FRONT POLE ASSEMBLY

<u>ITEM</u>	<u>QTY</u>	<u>PART#</u>	<u>DESCRIPTION</u>
1	1	67425	POLE FRONT
2	1	BFR753A	SIDEWIND JACK
3	1	BFR157	HITCH
4	1	87599	HITCH PIN
5	2	YPHR02010	HAIR PIN
6	1	S522	MANUAL HOLDER
7	2	56568	CLAMP BOLT
8	1	YBHH08010	BOLT HEX, 1/4 X 1 G5
9	2	YBHH08100	BOLT HEX, 1/4 X 3/4 G5
10	10	YBHH20025	BOLT HEX, 5/8 X 2 G5
11	2	YBHH20035	BOLT HEX, 5/8 X 2-1/2 G5
12	3	YNNY08005	NUT HEX, NYLON LOCKNUT, 1/4
13	1	YWFL08005	WASHER FLAT, 1/4
14	2	56563	CLAMP TOP PLATE
15	2	56573	CLAMP STACKING BOLT
16	2	56581	CLAMP TOP PLATE
17	4	67354	HOSE CLAMP, DOUBLE, 1/4
18	1	67429	POLE EXTENSION
19	12	YNHX20010	NUT HEX, 5/8 G8
20	12	YWLO20005	WASHER LOCK, 5/8
21	1	67443	PLASTIC TRIM
22	1	12N117	JACK PIN
23	1	67442	PLASTIC TRIM
24	1	76461	BALL HITCH, 2-5/16
*	1	78464	HITCH EXTENSION

**\*MEANS NOT SHOWN**

# FIGURE 2 FRAME & COMPONENTS

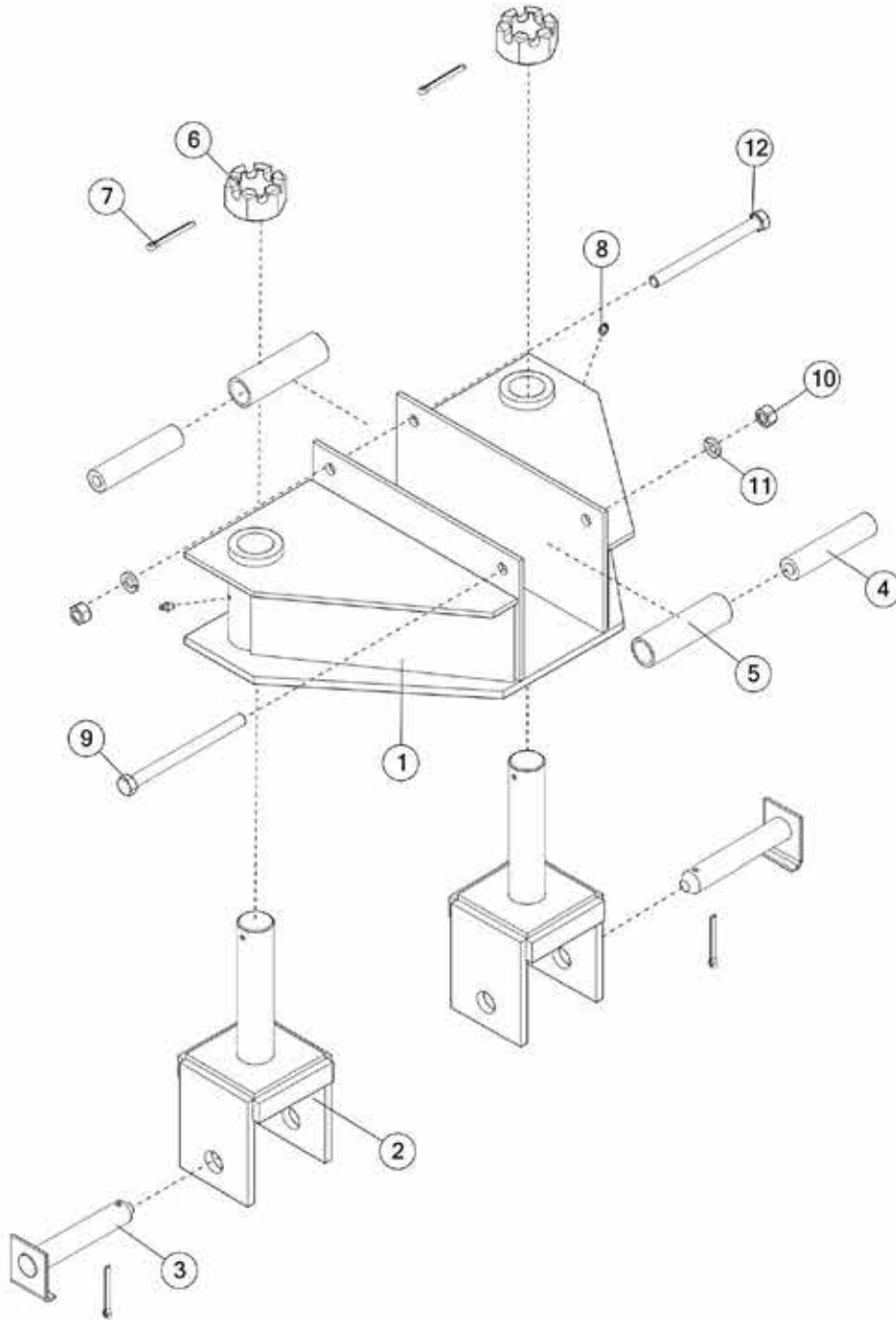


## FIGURE 2

### FRAME & COMPONENTS

<u>ITEM</u>	<u>QTY</u>	<u>PART#</u>	<u>DESCRIPTION</u>
1	1	67236	POLE, CENTER
2	2	BFR458	LINKAGE FRONT
3	1	73141	SLIDER FRONT
4	1	70181	CHANNEL
5	1	67368	STOP ADJUSTMENT
6	1	67416	WIDTH ADJUSTMENT BAR
7	1	BFR241	ADJUSTMENT HANDLE
8	1	BFR240	SPRING
9	1	BFR239	SLEEVE LOCK ADJUSTMENT
10	1	YPCT05005	COTTER PIN, 5/32 X 1
11	1	YBFL10002	BOLT FLANGE, 3/4 X 4 G8
12	1	YBHH08114	BOLT HEX, 1/4 X 4 G5
13	1	YNL08005	NUT HEX, TOP LOCK, 1/4
14	3	BFR457	SLIDER SPACER
15	3	YBHH16165	BOLT HEX, 1/2 X 6 G5
16	6	YBHH24012	BOLT HEX, 3/4 X 1-1/2 G8
17	2	YBHH32015	BOLT HEX, 1 X 4 G5
18	2	YBHH32025	BOLT HEX, 1 X 6 G5
19	3	YNL16005	NUT HEX, TOP LOCK, 1/2
20	6	YNHX24004	NUT HEX, 3/4 G5
21	4	YNL32005	NUT HEX, TOP LOCK, 1
22	6	YWLO24005	WASHER LOCK, 3/4

# **FIGURE 3** **BACK LINKAGE ASSEMBLY**

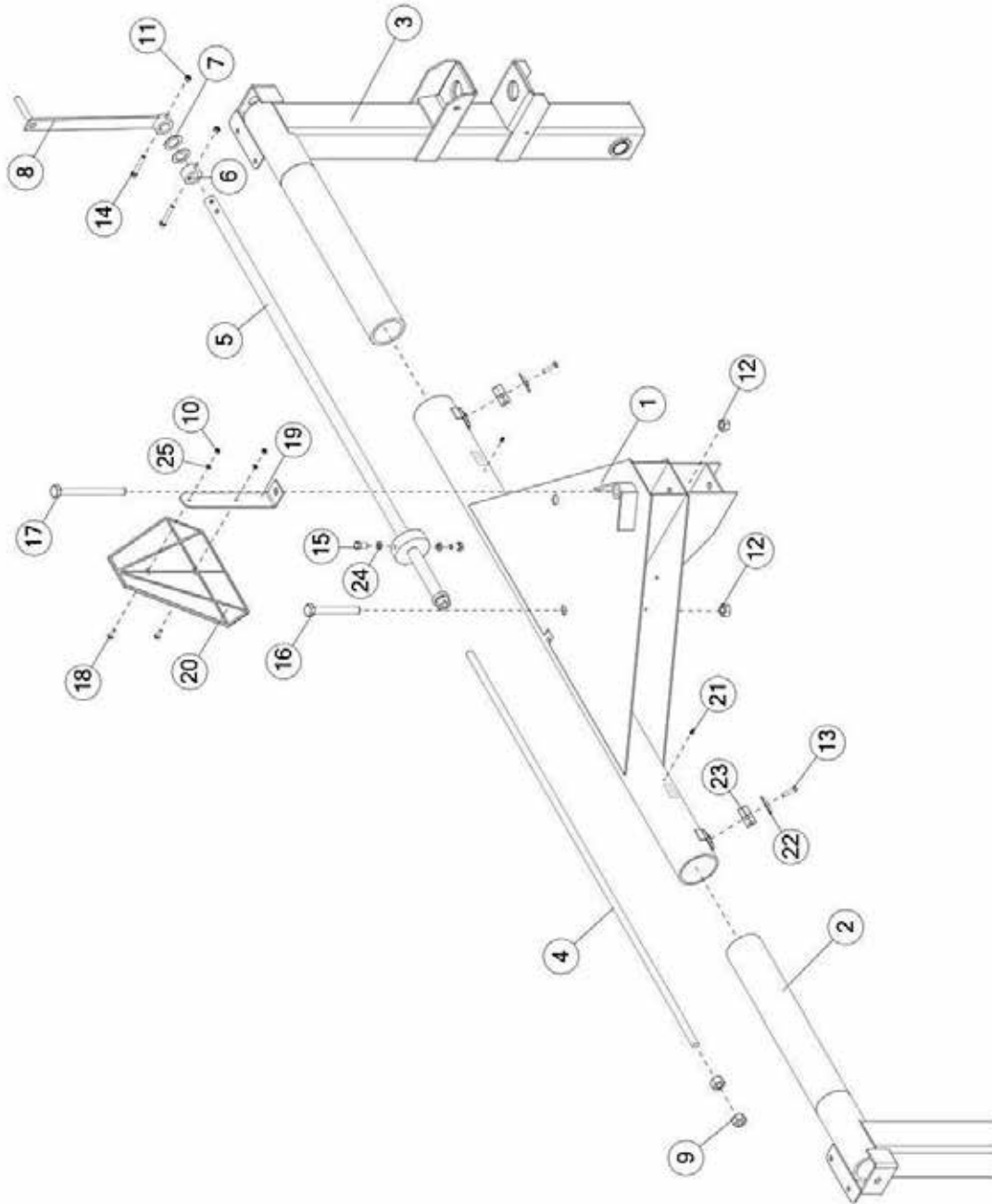




**FIGURE 3**  
**BACK LINKAGE ASSEMBLY**

<b><u>ITEM</u></b>	<b><u>QTY</u></b>	<b><u>PART#</u></b>	<b><u>DESCRIPTION</u></b>
1	1	BFR491	LINKAGE SLIDER REAR
2	2	BFR476	BACK LINKAGE YOKE RH
3	2	BFR479	PIVOT YOKE SHAFT PIN
4	2	BFR457	SLIDER SPACER
5	2	BFR471	SLIDER ROLLER REAR
6	2	YNSL40005	HEX NUT, SLOTTED, 1-1/2-12
7	4	YPCT07005	COTTER PIN, 7/32 X 2
8	2	G89	STRAIGHT ZERK 1/4-28 X 90
9	1	YBHH16175	BOLT HEX, 1/2 X 6-1/2 G5
10	2	YNHX16005	NUT HEX, 1/2
11	2	YWLO16005	WASHER LOCK, 1/2
12	1	YBHH16165	BOLT HEX, 1/2 X 6 G5

**FIGURE 4**  
**REAR PIVOT & COMPONENTS**

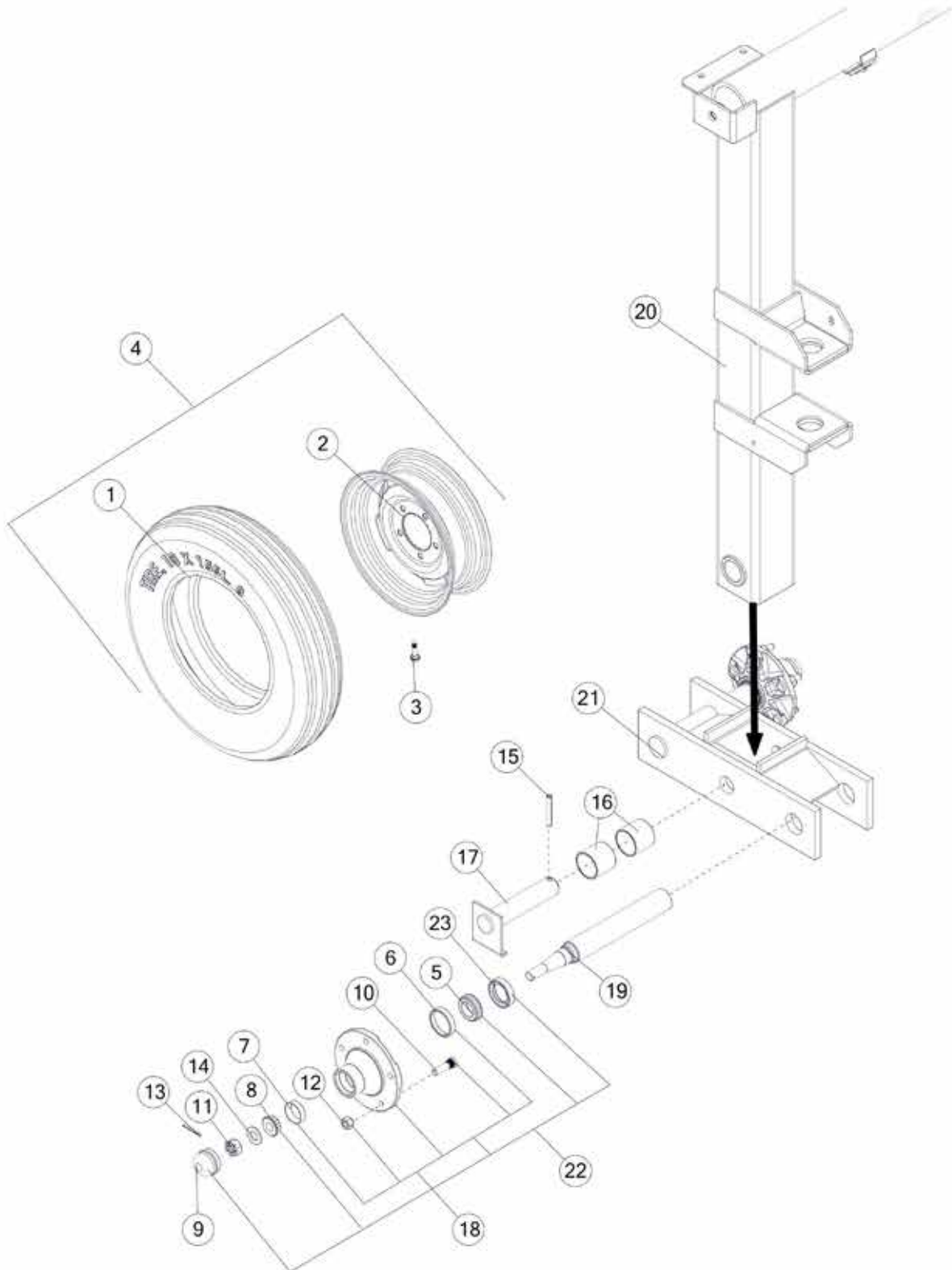


## FIGURE 4

### REAR PIVOT & COMPONENTS

<u>ITEM</u>	<u>QTY</u>	<u>PART#</u>	<u>DESCRIPTION</u>
1	1	67320	PIVOT REAR
2	1	66841	UPRIGHT RH
3	1	66837	UPRIGHT LH
4	1	66845	WIDTH ADJUSTMENT ROD REAR
5	1	66839	WIDTH ADJUSTMENT TUBE REAR
6	1	BFR422	WIDTH ADJUSTMENT COLLAR
7	2	BFR523	POLY WASHER
8	1	BFR423	WIDTH ADJUSTMENT HANDLE
9	2	YNAC24005	NUT HEX, 3/4-
10	2	YNHX08005	NUT HEX, 1/4
11	2	YNHX12005	NUT HEX, 3/8-16 G2
12	2	YNL24005	NUT HEX TOP LOCK, 3/4
13	2	56568	CLAMP BOLT
14	2	YBHH12090	BOLT HEX, 3/8 X 2-1/2 G5
15	2	YBHH16010	BOLT HEX, 1/2 X 1 G5
16	1	YBHH24090	BOLT HEX, 3/4 X 6 G5
17	1	YBHH24115	BOLT HEX, 3/4 X 8-1/2 G5
18	2	YSTM08005	SCREW TRUSS HEAD MACH, 1/4-20 X 1 G5
19	1	BFR649	SMV BRACKET
20	1	BFR723	SMV SIGN
21	2	G89	STRAIGHT ZERK 1/4-28 X 90
22	2	56563	CLAMP TOP PLATE
23	2	67354	HOSE CLAMP, DOUBLE, 1/4
24	2	YWLO16005	WASHER LOCK, 1/2
25	2	YWLO08005	WASHER LOCK, 1/4

# **FIGURE 5** **REAR HUB ASSEMBLY**

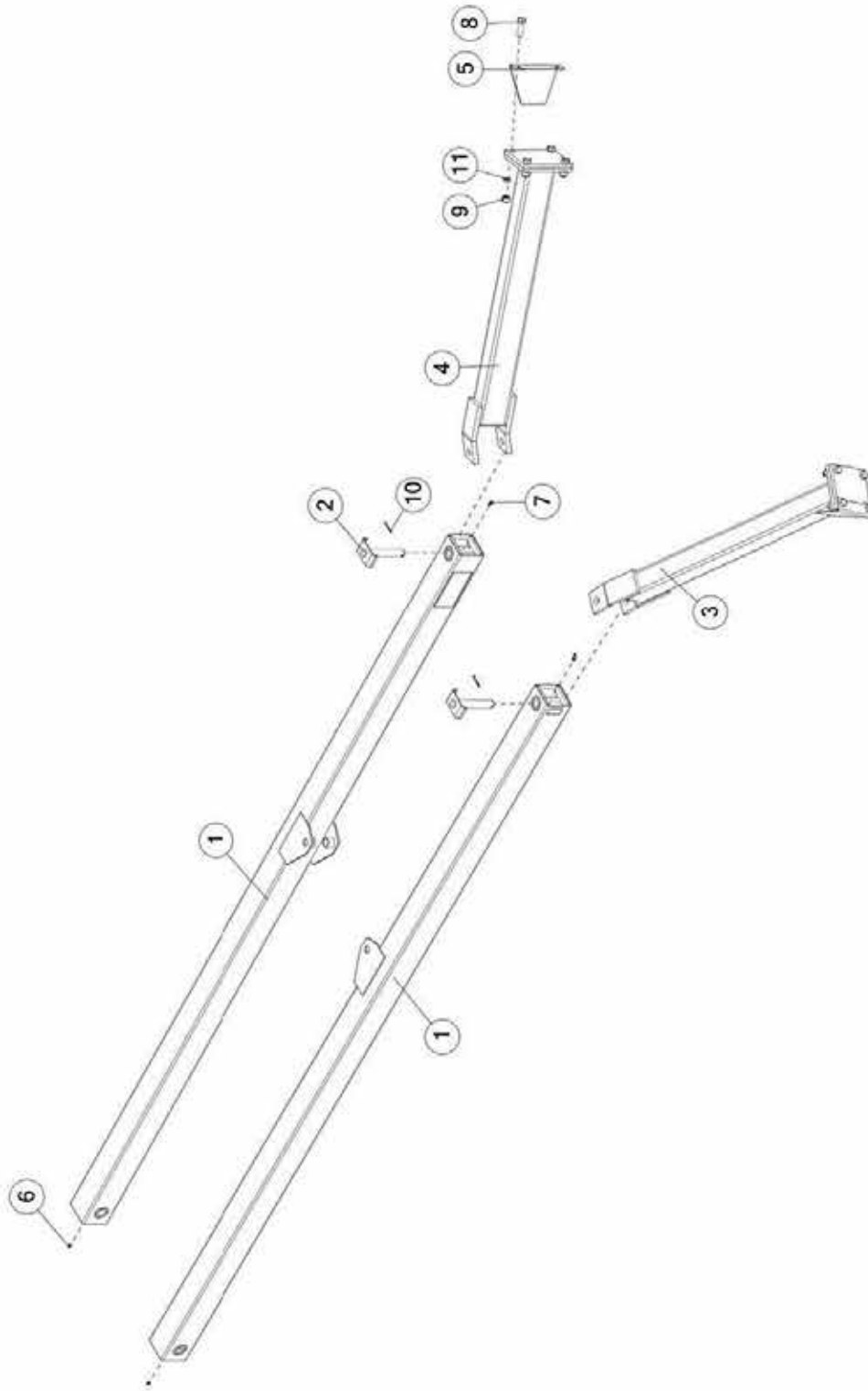


## FIGURE 5 REAR HUB ASSEMBLY

<u>ITEM</u>	<u>QTY</u>	<u>PART#</u>	<u>DESCRIPTION</u>
1	4	BFR128	TIRE 670 X 15
*	4	75696	ST205/75R15-C RADIAL TIRE (OPTIONAL)
2	4	BFR67	WHEEL, 5 X 15
3	4	72436	VALVE STEM, 1-1/2
4	4	32006	6.70-15 TIRE ON 5 X 15 WHEEL
*	4	75697	205/75R15 TIRE ON AG WHEEL (OPTIONAL)
5	4	17G145	TAPERED ROLLER BEARING
6	4	BFR59	RACE
7	4	BFR61	CUP
8	4	BFR62	CONE BEARING
9	4	BFR66	HUB CAP
10	20	YBSD16005	BOLT STUD, 1/2-20UNF X 1-7/8 X 3/8 G5
11	4	YNSL24010	NUT SLOT, 3/4-16 G2
12	20	YNWL16005	NUT WHEEL, 1/2-20 G5
13	4	YPCT05010	COTTER PIN, 5/32 X 1-1/2
14	4	YWFL24010	WASHER FLAT, SAE 3/4
15	4	YPEX12025	PIN, 3/8 X 2-3/4
16	4	BFR625	BUSHING BRONZE, 1-3/4 X 1-1/2 X 2-1/2
17	2	BFR524	TANDEM PIN
18	4	BFR60	HUB, WITH RACES AND STUDS
19	4	BFR522	SPINDLE
20	1	66841	UPRIGHT RH
*	1	66837	UPRIGHT LH
21	1	BFR509	TANDEM AXLE RH
*	1	BFR510	TANDEM AXLE LH
22	4	BFR75	HUB
23	4	BFR57	SEAL

**\*MEANS NOT SHOWN**

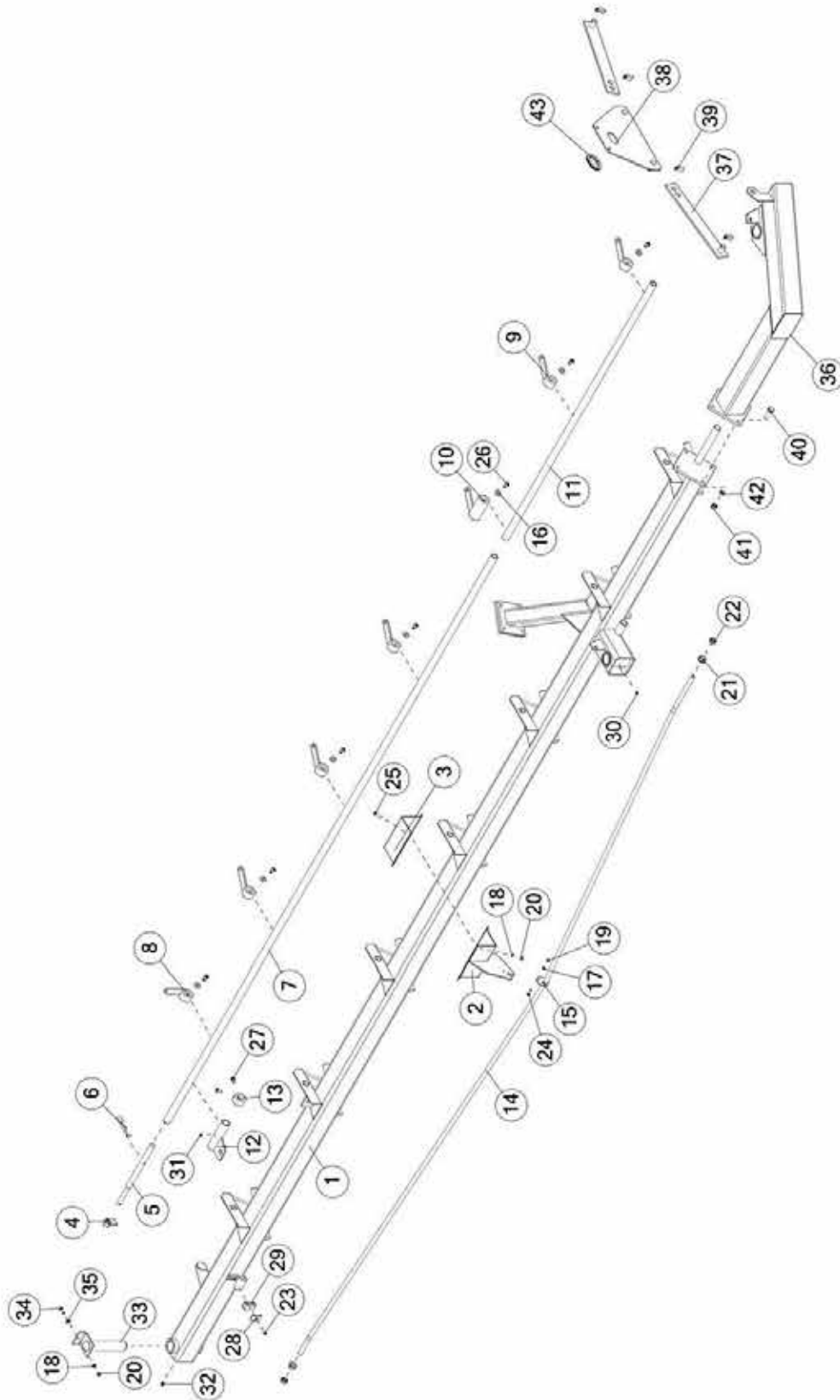
**FIGURE 6**  
**LINKAGE ASSEMBLY**



**FIGURE 6**  
**LINKAGE ASSEMBLY**

<b><u>ITEM</u></b>	<b><u>QTY</u></b>	<b><u>PART#</u></b>	<b><u>DESCRIPTION</u></b>
1	2	BFR462	LINKAGE RH REAR
2	2	BFR461	ARM PIN
3	1	BFR744	ARM RH
4	1	BFR745	ARM LH
5	2	BFR549	TOOTH DEFLECTOR
6	2	G89	STRAIGHT ZERK 1/4-28 X 90
7	2	RG21	GREASE ZERK, 45 DEGREE
8	8	YBHH20025	BOLT HEX, 5/8 X 2 G5
9	8	YNHX20010	NUT HEX, 5/8 G8
10	2	YPCT05010	COTTER PIN 5/32 X 1-1/2
11	8	YWLO20005	WASHER LOCK, 5/8

# FIGURE 7 RH RAKE BEAM ASSEMBLY





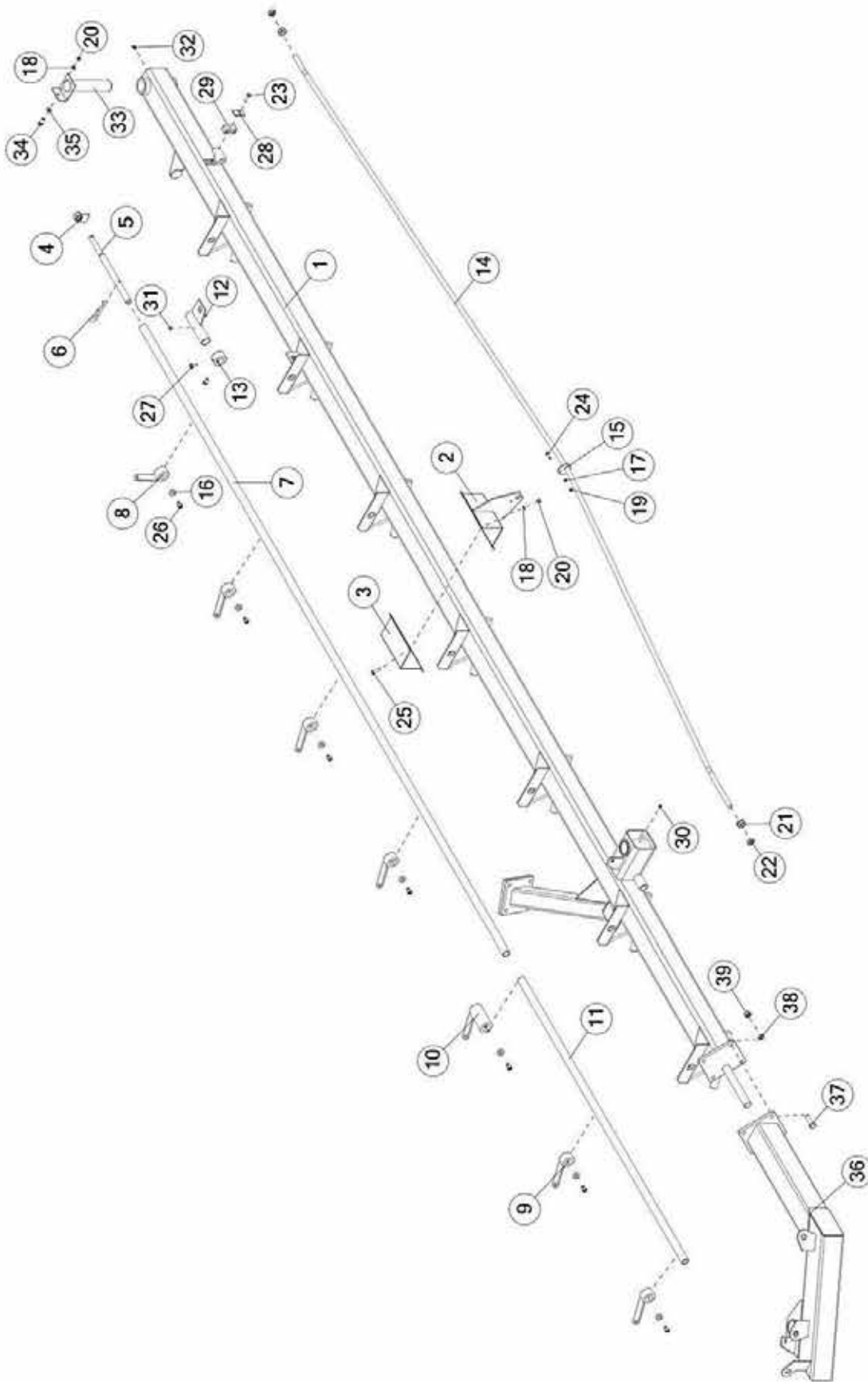
## FIGURE 7

### RH RAKE BEAM ASSEMBLY

<u>ITEM</u>	<u>QTY</u>	<u>PART#</u>	<u>DESCRIPTION</u>
1	1	67336	BEAM W/DECAL RH
2	1	14DWE85	ROD STANDOFF
3	1	14D3G18	ROD STAND-OFF BRACKET
4	1	BFR426	RAKE PRESSURE HANDLE
5	5	BFR486	RAKE ARM LOCK-UP SHAFT
6	1	YPHR08040	HAIR PIN, 1/4 X 5
7	1	BFR521	LIFTING PIPE BACK
8	1	BFR431	SPRING BRACKET LH
9	4	BFR430	SPRING BRACKET RH
10	1	BFR749	LONG LIFT PIPE CONNECTOR RH
11	1	BFR520	LIFT PIPE FRONT
12	1	BFR531	HYDRAULIC CYLINDER END SLIDE RH
13	1	BFR83	PIPE CLAMP
14	1	BFR612	SIDE ARM STABILIZER ROD
15	1	DF22	RING FOR STRAP
16	7	YWFL14005	WASHER FLAT, 7/16
17	2	YWLO08005	WASHER LOCK, 1/4
18	8	YWLO12005	WASHER LOCK, 3/8
19	1	YNHX08005	NUT HEX, 1/4
20	8	YNHX12005	NUT HEX, 3/8 G2
21	2	BFR618	NUT FLANGE, NF, 3/4
22	2	YNJM24011	NUT HEX JAM, 3/4
23	1	56568	CLAMP BOLT
24	1	YBHH08010	BOLT HEX, 1/4 X 1 G5
25	6	YBHH12040	BOLT HEX, 3/8 X 1-1/4 G5
26	7	YBHH14005	BOLT HEX, 7/16 X 1 G5
27	2	YBHH14035	BOLT HEX, 7/16 X 3/4 G5
28	1	56563	CLAMP TOP PLATE
29	1	67354	HOSE CLAMP, DOUBLE, 1/4
30	1	G89	STRAIGHT ZERK 1/4-28 X 90
31	1	MS26	STRAIGHT ZERK SHORT SHANK
32	1	RG21	GREASE ZERK, 45 DEGREE
33	1	BFR756	BEAM PIVOT SHAFT
34	2	YBHH12010	BOLT HEX, 3/8 X 1 G5
35	1	YWFL12005	WASHER FLAT, 3/8
36	1	BFR726	RAKE BEAM EXTENSION RH
37	2	BFR597	SAFETY BAR
38	1	67432	TRANSPORT MOUNT
39	4	YPLY08011	LYNCH PIN, 1/4 X 1-9/16
40	4	YBHH20025	BOLT HEX, 5/8-11 X 2 G5
41	4	YNHX20010	NUT HEX, 5/8-18 G8
42	4	YWLO20005	WASHER LOCK, 5/8
*	1	63796	RAKE ARM STOP
43	1	67448	PLASTIC TRIM

\*MEANS NOT SHOWN

**FIGURE 8**  
**LH RAKE BEAM ASSEMBLY**



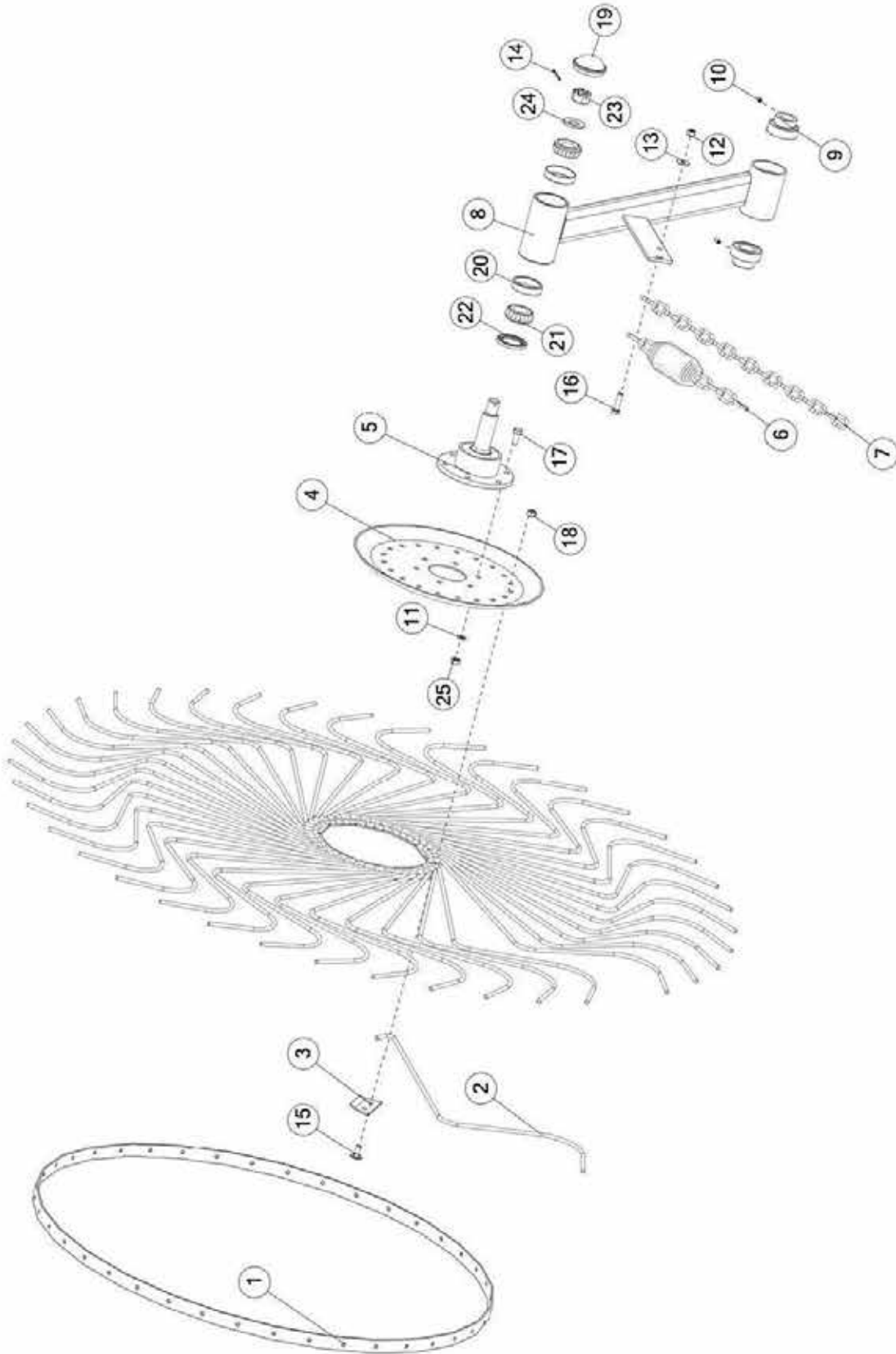
## FIGURE 8

### LH RAKE BEAM ASSEMBLY

<u>ITEM</u>	<u>QTY</u>	<u>PART#</u>	<u>DESCRIPTION</u>
1	1	67332	BEAM W/DECAL LH
2	2	14DWE85	ROD STANDOFF
3	1	14D3G18	ROD STAND-OFF BRACKET
4	3	BFR426	RAKE PRESSURE HANDLE
5	1	BFR486	RAKE ARM LOCK-UP SHAFT
6	4	YPHR08040	HAIR PIN, 1/4 X 5
7	1	BFR521	LIFTING PIPE BACK
8	1	BFR430	SPRING BRACKET RH
9	1	BFR431	SPRING BRACKET LH
10	1	BFR750	LONG LIFT PIPE CONNECTOR LH
11	1	BFR520	FRONT LIFT PIPE
12	1	BFR530	HYDRAULIC CYLINDER END SLIDE LH
13	1	BFR83	PIPE CLAMP
14	1	BFR612	SIDE ARM STABILIZER ROD
15	1	DF22	RING FOR STRAP
16	7	YWFL14005	WASHER FLAT, 7/16
17	3	YWLO08005	WASHER LOCK, 1/4
18	8	YWLO12005	WASHER LOCK, 3/8
19	1	YNHX08005	NUT HEX, 1/4
20	8	YNHX12005	NUT HEX, 3/8-16 GR 2
21	2	BFR618	NUT FLANGE, 3/4
22	2	YNJM24011	NUT HEX, JAM, 3/4
23	1	56568	CLAMP BOLT
24	1	YBHH08010	BOLT HEX, 1/4 X 1 G5
25	6	YBHH12035	BOLT HEX, 3/8-16 X 1-1/4 G5
26	7	YBHH14005	BOLT HEX, 7/16 X 1 G5
27	2	YBHH14035	BOLT HEX, 7/16 X 3/4 G5
28	1	56563	CLAMP TOP PLATE
29	1	67354	HOSE CLAMP, DOUBLE, 1/4
30	1	G89	STRAIGHT ZERK, 1/4-28 X 90
31	1	MS26	STRAIGHT ZERK SHORT SHANK
32	1	RG21	GREASE ZERK, 45 DEGREE
33	1	BFR756	BEAM PIVOT SHAFT
34	2	YBHH12010	BOLT HEX, 3/8 X 1 G5
35	1	YWFL12005	WASHER FLAT, 3/8
36	1	BFR727	RAKE BEAM EXTENSION LH
37	4	YBHH20025	BOLT HEX, 5/8 X 2 G5
38	4	YWLO20005	WASHER LOCK, 5/8
39	4	YNHX20010	NUT HEX, 5/8-18 G8
*	1	63796	RAKE ARM STOP

**\*MEANS NOT SHOWN**

# **FIGURE 9** **RAKE WHEEL ASSEMBLY**



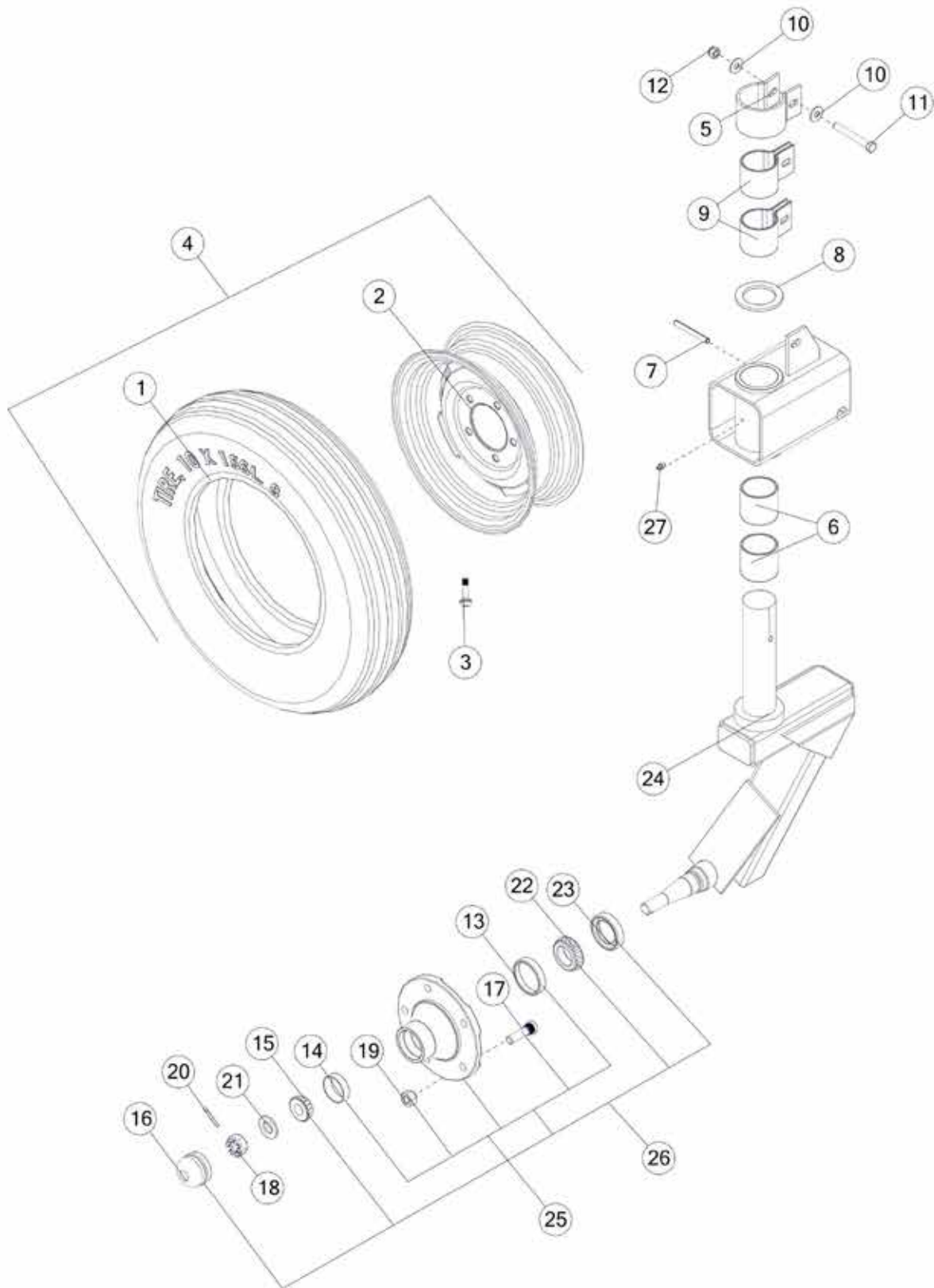
## FIGURE 9

### RAKE WHEEL ASSEMBLY

<u>ITEM</u>	<u>QTY</u>	<u>PART#</u>	<u>DESCRIPTION</u>
1	1	FR72	RAKE WHEEL OUTER RING
2	40	FR73	RAKE WHEEL TOOTH
3	10	FR74	RAKE TOOTH CLIP
4	1	FR71	RAKE WHEEL CENTER
5	1	FR24	RAKE WHEEL HUB
6	1	8771	RAKE WHEEL SPRING
7	1	BFR111	KICKER WHEEL ADJ. CHAIN (18 LINKS)
8	1	14DWE93	RAKE ARM LH
*	1	14DWE94	RAKEARM RH
9	2	BFR525	BEARING W/ LOCK COLLAR 1-1/4
10	2	YSKP10020	SET SCREW, SOCKET
11	6	YWLO12005	WASHER LOCK, 3/8
12	1	YNTL12005	NUT HEX, TOP LOCK, 3/8-16
13	1	YWFL12005	WASHER FLAT, 3/8
14	1	YPCT05010	COTTER PIN, 5/32 X 1-1/2
15	20	YBCR76005	BOLT CARRIAGE, 10MM X 25MM
16	1	YBHH12025	BOLT HEX, 3/8 X 1-1/2 G5
17	6	YBHH12035	BOLT HEX, 3/8 X 1-1/4 G5
18	20	YNHX76015	NUT HEX, M10-1.5
19	1	57875	HUB CAP
20	2	3G18	BEARING RACE
21	2	HD122	TAPERED BEARING
22	1	HD124	SEAL
23	1	YNSL28005	NUT HEX, SLOTTED, 7/8-14
24	1	YWFL28010	WASHER FLAT, SAE 7/8
25	6	YNHX12005	NUT HEX, 3/8 - 16 G5

**\*MEANS NOT SHOWN**

# **FIGURE 10** **HUB & BRAKE ASSEMBLY**



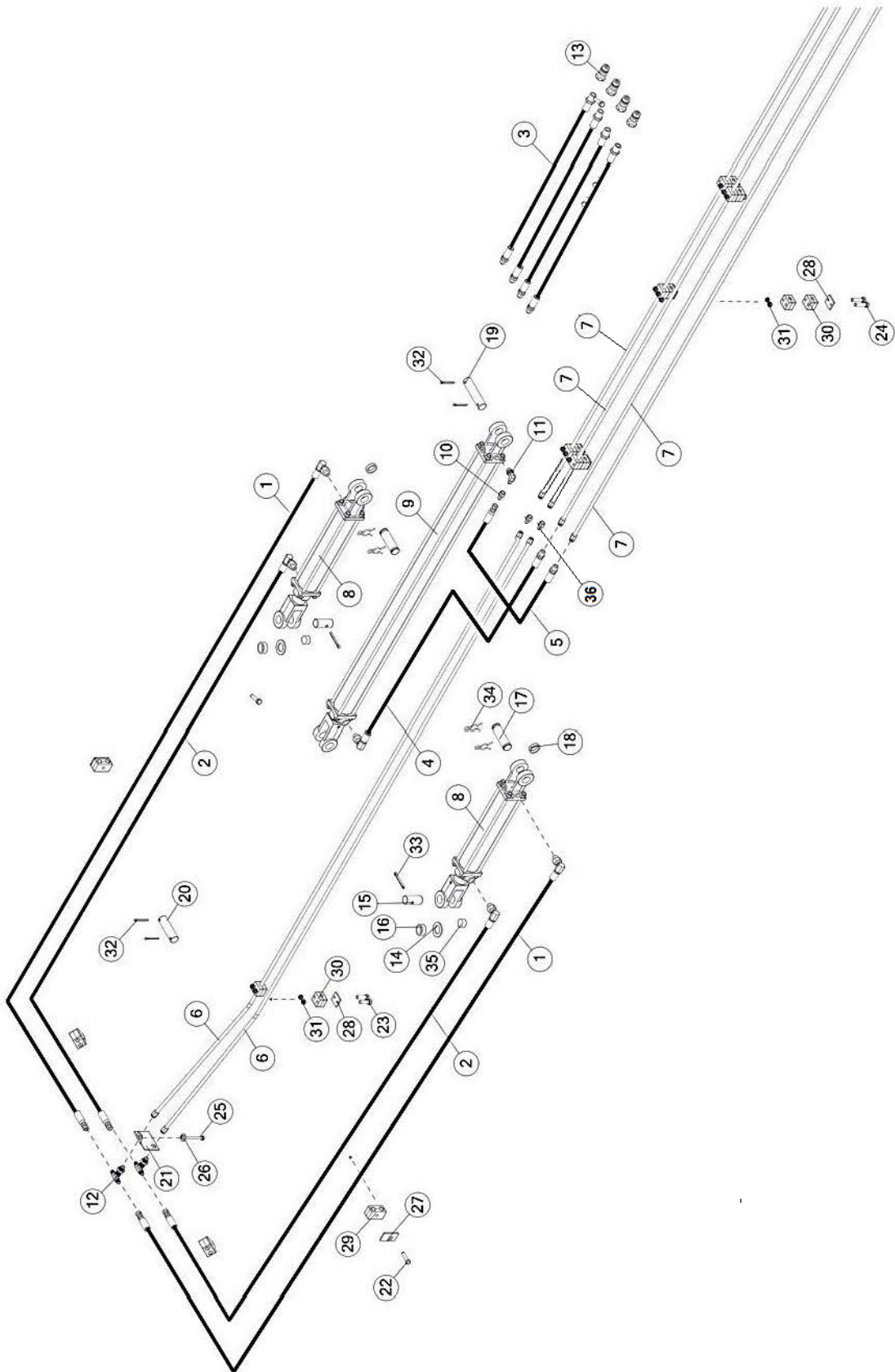
## FIGURE 10

### HUB & BRAKE ASSEMBLY

<u>ITEM</u>	<u>QTY</u>	<u>PART#</u>	<u>DESCRIPTION</u>
1	2	BFR128	TIRE 670 X 15
2	2	BFR67	WHEEL, 5 X 15
3	2	72436	VALVE STEM, 1-1/2
4	2	32006	6.70-15 TIRE ON 5 X 15 WHEEL
5	2	BFR311	BRAKE COLLAR
6	4	RG26	STEEL BUSHING
7	2	YPEX10025	EXPANSION PIN, 5/16 X 2-3/4
8	1	BFR309	GAUGE WHEEL WASHER
9	4	BFR310	BRAKE PAD
10	4	YWFL12005	WASHER FLAT, 3/8
11	2	YBHH12125	BOLT HEX, FT, 3/8 X 3 G5
12	2	YNNY12005	NUT HEX, 3/8 G2
13	2	BFR57	SEAL
14	2	BFR61	CUP
15	2	BFR62	BEARING
16	2	BFR66	HUB CAP
17	10	YBSD16005	BOLT STUD, 1/2 X 1-7/8 X 3/8 G5
18	2	YNSL24010	NUT SLOT, 3/4 G2
19	10	YNWL16005	NUT WHEEL, 1/2 G5
20	2	YPCT05010	COTTER PIN, 5/32 X 1-1/2
21	2	YWFL24010	WASHER FLAT, 3/4
22	2	17G145	TAPERED BEARING
23	2	BFR57	SEAL
24	1	BFR312	GAUGE WHEEL FORK RH
*	1	BFR316	GAUGE WHEEL FORK LH
25	2	BFR60	HUB W/RACES AND STUDS
26	2	BFR75	COMPLETE HUB W/KOYO BEARINGS
27	2	G89	STRAIGHT ZERK 1/4-28 X 90

**\*MEANS NOT SHOWN**

# FIGURE 11 HYDRAULICS

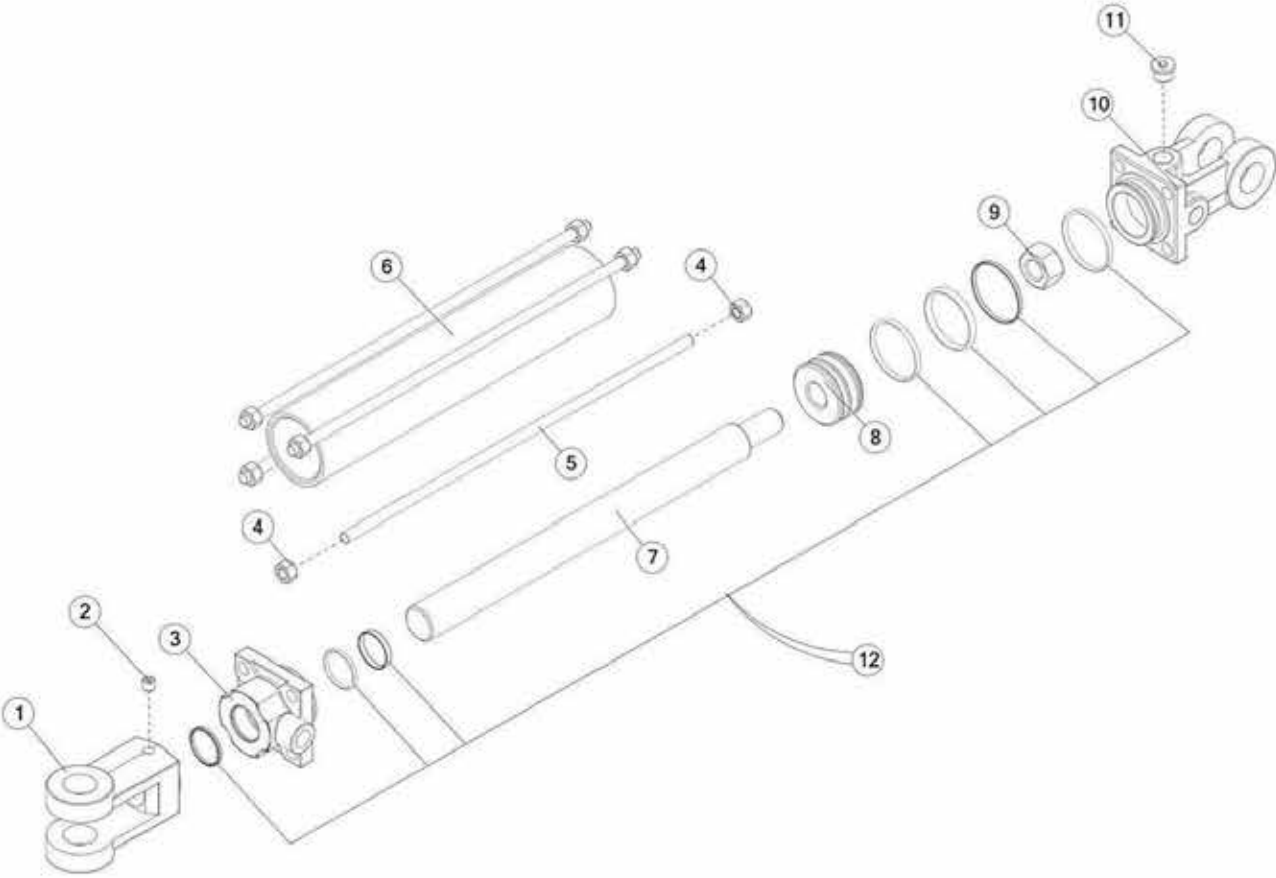




# FIGURE 11 HYDRAULICS

<u>ITEM</u>	<u>QTY</u>	<u>PART#</u>	<u>DESCRIPTION</u>
1	2	67077	HYD HOSE, 4 X 108
2	2	67420	HYD HOSE 4 X 120
3	4	71764	HYD HOSE 4 X 168
4	1	70706	HYD HOSE 4 X 33
5	1	70710	HYD HOSE 4 X 30
6	2	88943	HYD TUBE
7	4	70613	HYD TUBE
8	2	66933	HYD CYLINDER 2 X 10
9	1	66935	HYD CYLINDER 2 X 40
10	1	58108	CONNECTOR W/ORIFICE
11	1	71281	MALE 37° / ORB
12	2	71585	BULKHEAD TEE FITTING, 04X04X06
13	4	67148	QUICK COUPLER
14	2	16SV136	SHIM
15	2	BFR517	CYL PIN
16	2	K106	SPACER
17	2	T143	HYD CYLINDER PIN
18	2	X94	1ST BEATER SPACER
19	1	BFR396	CYL PIN
20	1	BFR634	CYL PIN
21	1	66939	BRACKET MOUNT
22	4	56568	CLAMP BOLT
23	4	YBHH08045	BOLT HEX, 1/4 X 2 G5
24	12	YBHH08085	BOLT HEX, 1/4 X 3 G5
25	1	YBHH16010	BOLT HEX, 1/2 X 1 G5
26	1	YWLO16005	WASHER LOCK, 1/2
27	4	56563	COVER PLATE
28	8	CHM273	COVER PLATE
29	4	67354	HOSE CLAMP, DOUBLE, 1/4
30	8	CHM280	HOSE CLAMP
31	14	YNFG08010	NUT HEX, FLANGE, NYLOCK, 1/4-20
32	4	YPCT05010	COTTER PIN, 5/32 X 1-1/2
33	2	YPCT08007	COTTER PIN, 1/4 X 2
34	4	YPHR02020	HAIR PIN
35	2	BFR506	NYLON WEAR BLOCK
36	2	CHM258	FITTING, UNION

**FIGURE 12**  
**HYDRAULIC LIFT CYLINDER**

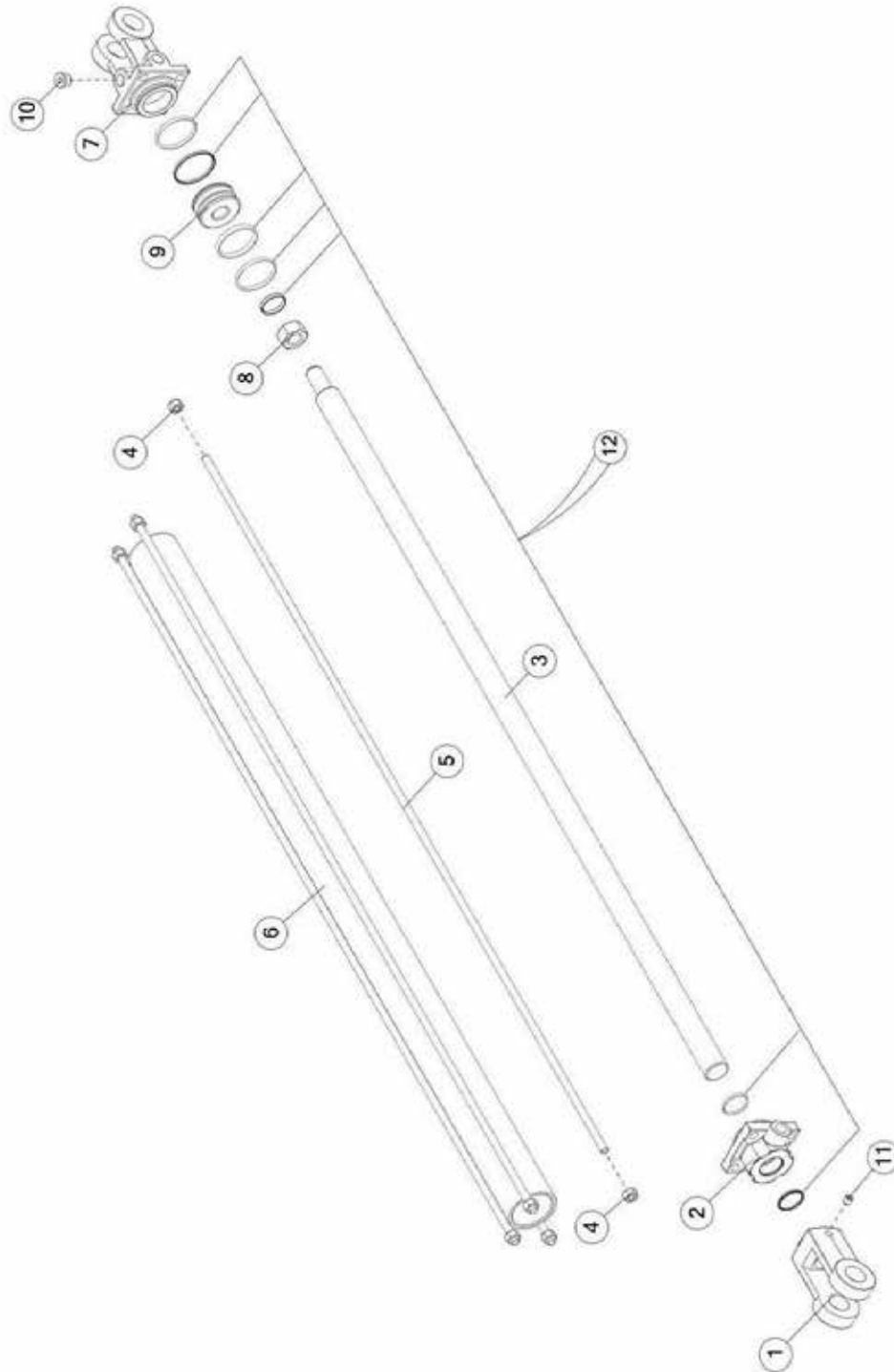


**FIGURE 12**  
**HYDRAULIC LIFT CYLINDER**

<b><u>ITEM</u></b>	<b><u>QTY</u></b>	<b><u>PART#</u></b>	<b><u>DESCRIPTION</u></b>
1	1	23N150A	ROD CLEVIS
2	1	YSSO12015	SET SCREW, SOCKET, 3/8 X 3/8
3	1	66934	ROD CAP
4	8	YNHX12006	NUT HEX, 3/8
5	4	16SV170	TIE ROD
6	1	16SV169	CYL TUBE
7	1	16SV168A	CYL ROD
8	1	56180	PISTON
9	1	23N148	PISTON NUT
10	1	66932	CLEVIS CAP
11	1	SD270	HOLLOW HEX PLUG W/VALVE BODY
12	1	56187	SEAL KIT
*	1	66933	HYD CYLINDER 2 X 10

**\*MEANS NOT SHOWN**

# **FIGURE 13** **HYDRAULIC OPENING CYLINDER**

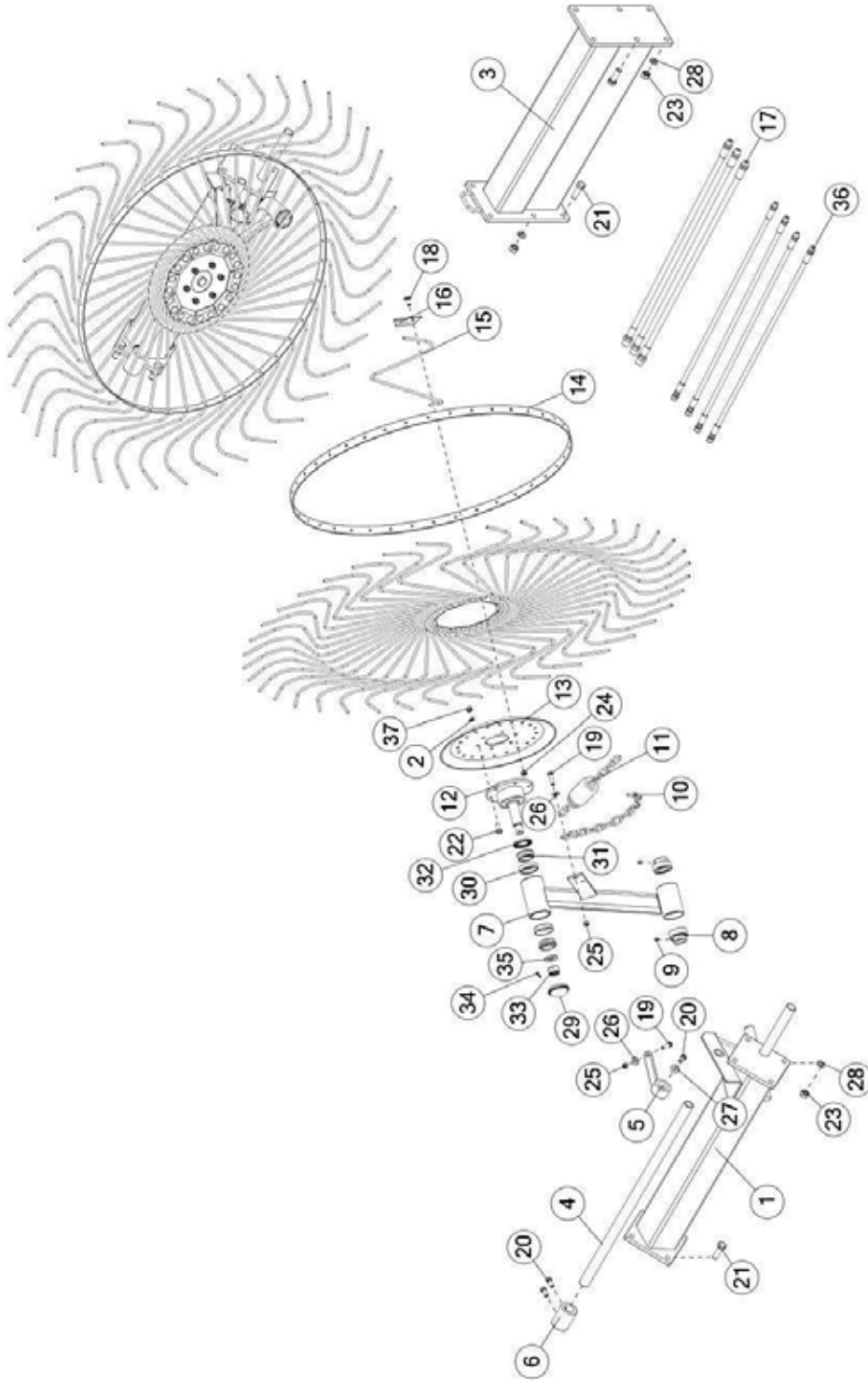


**FIGURE 13**  
**HYDRAULIC OPENING CYLINDER**

<b><u>ITEM</u></b>	<b><u>QTY</u></b>	<b><u>PART#</u></b>	<b><u>DESCRIPTION</u></b>
1	1	23N150A	ROD CLEVIS
2	1	56174	ROD CAP
3	1	BFR654	ROD
4	8	YNHX10005	NUT HEX, 5/16 G2
5	4	BFR656	TIE ROD
6	1	BFR655	CYL TUBE
7	1	23N142A	CLEVIS CAP
8	1	23N148	PISTON NUT
9	1	56180	PISTON
10	1	SD270	HOLLOW HEX PLUG W/VALVE BODY
11	1	YSS012015	SCREW SET SOCKET, 3/8 X 3/8
12	1	56187	SEAL KIT
*	1	66935	HYD CYLINDER 2 X 40

**\*MEANS NOT SHOWN**

# **FIGURE 14** **OPTIONAL 2 WHEEL EXTENSION**



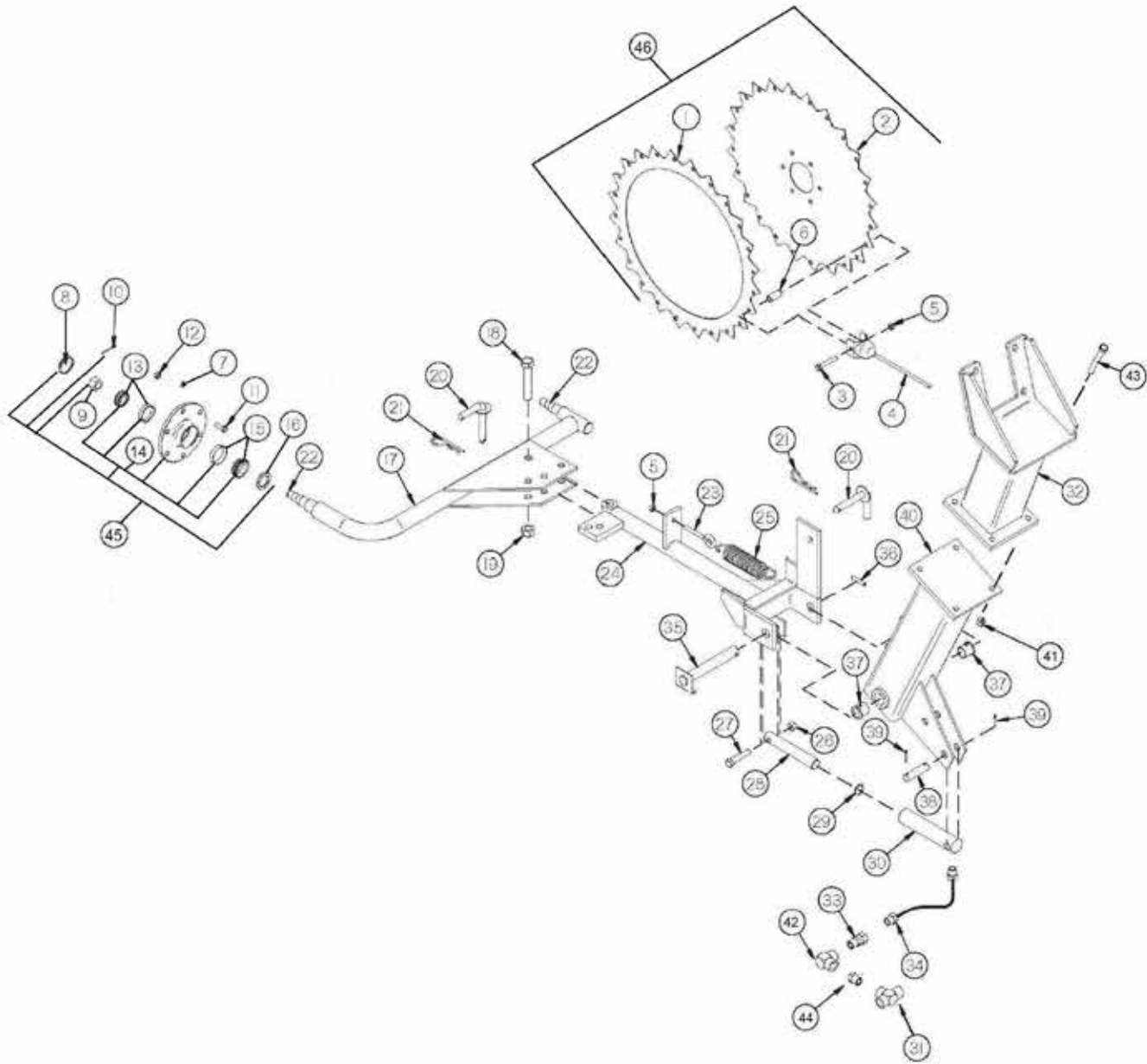
## FIGURE 14

### OPTIONAL 2 WHEEL EXTENSION

<u>ITEM</u>	<u>QTY</u>	<u>PART#</u>	<u>DESCRIPTION</u>
1	1	BFR733	RAKE BEAM EXTENSION RH
*	1	BFR734	RAKE BEAM EXTENSION LH
2	12	YWLO12005	WASHER LOCK, 3/8
3	1	67429	POLE EXTENSION
4	2	BFR536	LIFTING PIPE EXT
5	2	BFR431	SPRING BRACKET LH
*	1	BFR430	SPRING BRACKET RH
6	2	BFR537	LIFTING PIPE CONNECTOR
7	1	14DWE94	HI CAP HEAVY ARM RH
*	1	14DWE93	HI CAP HEAVY ARM LH
8	4	BFR525	BEARING W/LOCK COLLAR 1-1/4
9	4	YSKP10020	SCREW SET, SOCKET
10	2	BFR140	ADJUSTMENT CHAIN
11	2	BFR138	SPRING
12	2	FR24	HUB
13	2	FR71	RAKE WHEEL CENTER 60 IN BLACK
14	2	FR72	RAKE WHEEL BAND 60 IN BLACK
15	80	FR73	BIGGY RAKE WHEEL TOOTH, 60, BLACK
16	20	FR74	RAKE TOOTH CLIP BLACK
17	3	BFR635	HYD HOSE, 3/8 X 33 1/2FP & 1/2MP
18	40	YBCR76005	BOLT CARRIAGE, 10MM X 25MM
19	4	YBHH12025	BOLT HEX, 3/8 X 1-1/2 G5
20	2	YBHH14005	BOLT HEX, 7/16 X 1 G5
21	4	YBHH20025	BOLT HEX, 5/8 X 2 G5
22	12	YBHH12035	BOLT HEX, 3/8 X 1-1/4 G5
23	8	YNHX20010	NUT HEX, 5/8 G8
24	12	YNHX76015	NUT HEX, M10-1.5
25	4	YNTL12005	NUT HEX, TOP LOCK, 3/8
26	4	YWFL12005	WASHER FLAT, 3/8
27	2	YWFL14005	WASHER FLAT, 7/16
28	8	YWLO20005	WASHER, LOCK, 5/8
29	2	57875	HUB CAP
30	2	58714	RACE
31	2	HD122	TAPERED BEARING
32	2	HD124	SEAL
33	2	YNSL28005	NUT HEX, SLOTTED, 7/8-14
34	2	YPCT05010	COTTER PIN 5/32 X 1-1/2
35	2	YWFL28010	WASHER FLAT, 7/8
36	4	72142	HYD HOSE, 4 X 33
37	12	YNHX12005	NUT HEX, 3/8 - 16

\*MEANS NOT SHOWN

**FIGURE 15**  
**OPTIONAL 2 WHEEL CENTER KICKER WHEEL**



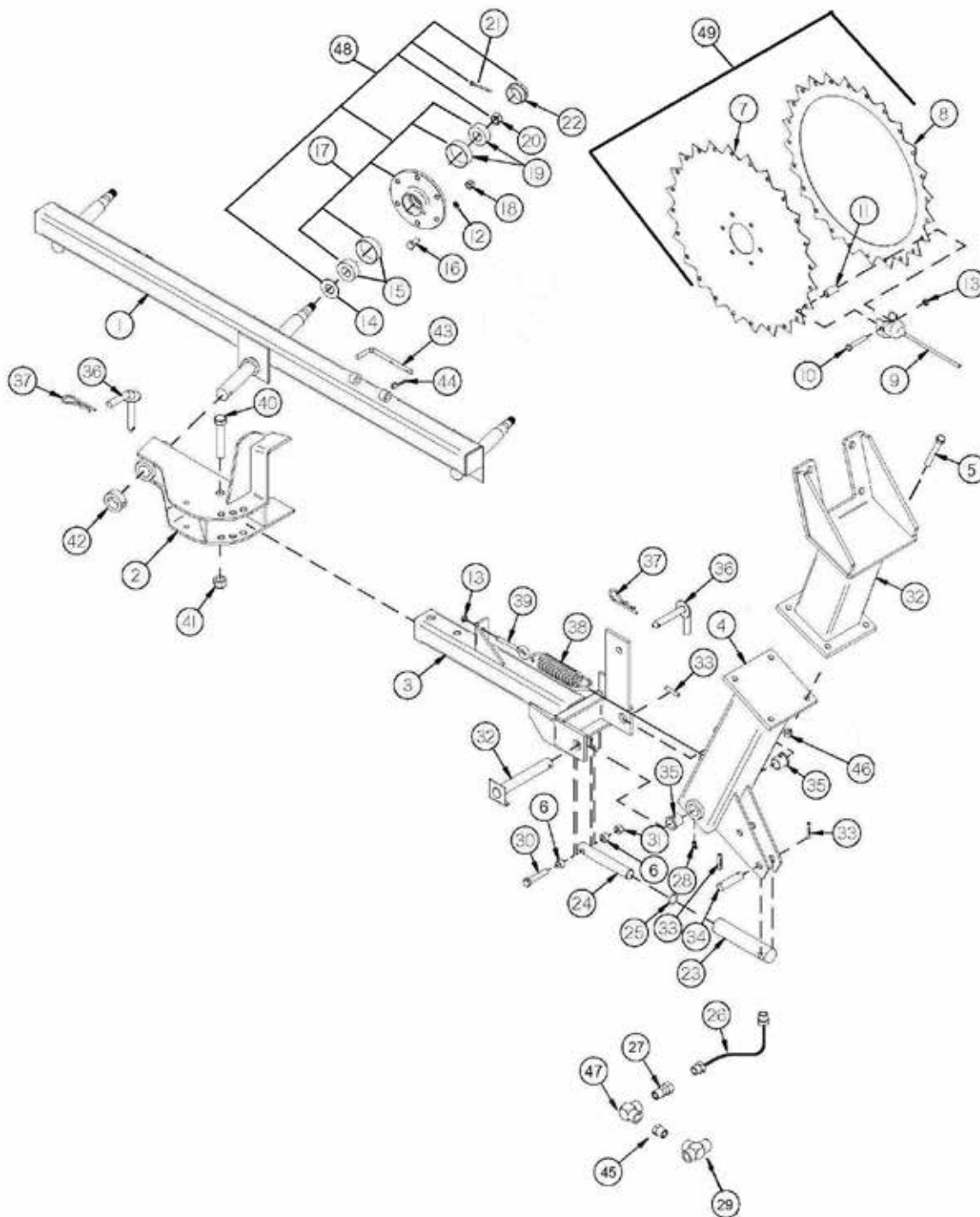


## FIGURE 15

### OPTIONAL 2 WHEEL CENTER KICKER WHEEL

<u>ITEM</u>	<u>QTY</u>	<u>PART#</u>	<u>DESCRIPTION</u>
1	1	BFR369	RAKE WHEEL RING
2	1	BFR370	RAKE WHEEL CENTER
3	1	YBHH12100	BOLT HEX, 3/8 X 2-1/4 G5
4	24	T82	RUBBER MOUNTED TOOTH
5	24	YNTL12005	NUT HEX, TOP LOCK, 3/8
6	25	BFR371	RAKE WHEEL SPACER
7	12	YWLO76015	WASHER LOCK, M10
8	2	T173	HUB CAP
9	2	YNLS24010	NUT HEX, SLOTTED, 3/4
10	3	YPCT05010	COTTER PIN, 5/32 X 1-1/2
11	12	YBHH76005	BOLT HEX, 10MM X 25MM
12	12	YNHX76015	NUT HEX, 10MM
13	2	600014	OUTER BEARING AND RACE
14	2	BFR32	RAKE WHEEL HUB
15	2	600012	INNER BEARING AND RACE
16	2	T163	SEAL
17	2	BFR511	CENTER KICKER WHEEL ARM
18	1	YBHH24050	BOLT HEX, 3/4 X 3 G5
19	1	YNTL24005	NUT HEX, TOP LOCK, 3/4-10
20	1	BFR197	LOCKING PIN
21	1	YPHR02010	HAIR PIN
22	2	BFR36	SPINDLE
23	4	YBTE12025	BOLT,TURNED EYE, 3/8 X 3
24	1	BFR512	CENTER KICKER WHEEL PIVOT
25	1	BR62	SPRING
26	1	YNTL16005	NUT HEX TOP LOCK, 1/2
27	5	YBHH16080	BOLT HEX, 1/2 X 2-1/2 G5
28	1	BFR114	PISTON
29	1	BFR115	O-RING
30	1	BFR116	HYD CYLINDER
31	1	CHM242	SWIVEL RUN TEE FITTING
32	1	73977	MALE ADAPTER UNION, 3/8
33	1	BFR122	MALE ADAPTER, W/ORIFICE
34	1	58723	AXLE SHAFT
35	1	BFR379	EXPANSION PIN, 5/16 X 1-3/4
36	1	YPEX10015	BUSHING
37	1	BFR27	CYLINDER PIN
38	1	BFR515	COTTER PIN, 5/32 X 1-1/2
39	2	YPCT05010	KICKER WHEEL OFFSET
40	2	BFR514	NUT HEX, 1/2
41	4	YNRL16005	STREET ELBOW, 3/8, 90 DEGREE
42	1	23N234	BOLT HEX, 1/2 X 1-3/4 G2
43	4	YBHH16050	FITTING
44	1	73993	RAKE WHEEL HUB W/BEARINGS
45	1	BFR76	COMPLETE WHEEL

# **FIGURE 16** **OPTIONAL 3 WHEEL CENTER KICKER WHEEL**

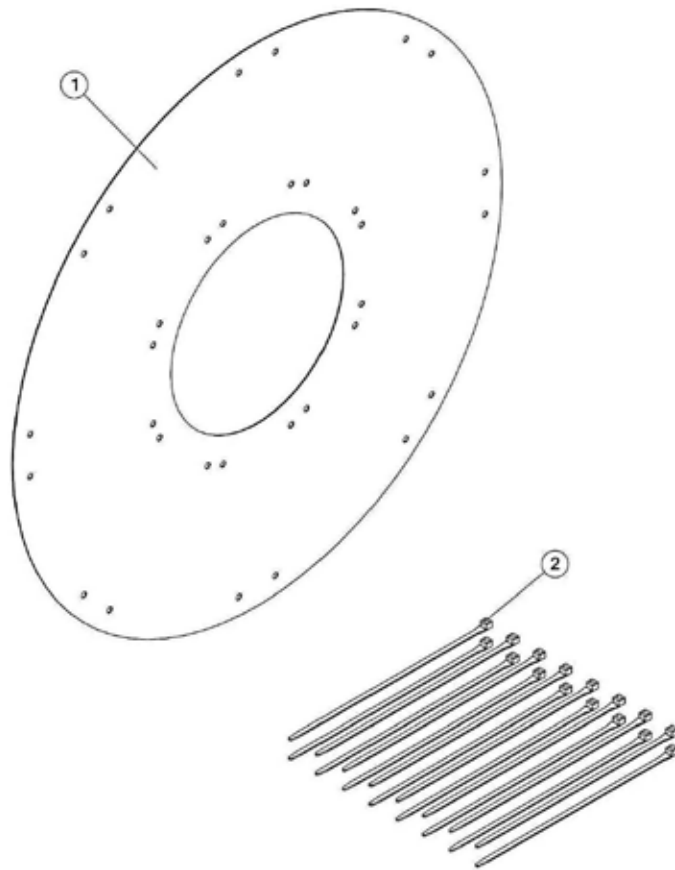


## FIGURE 16

### OPTIONAL 3 WHEEL CENTER KICKER WHEEL

<u>ITEM</u>	<u>QTY</u>	<u>PART#</u>	<u>DESCRIPTION</u>
1	1	BFR717	KICKER RAKE BEAM
2	1	BFR718	PIVOT
3	1	BFR719	SQUARE RAKE ARM
4	1	BFR514	KICKER WHEEL OFFSET
5	4	YBHH16050	BOLT HEX, 1/2 X 1-3/4 G2
6	2	BFR722	LIFT CYLINDER SPACER
7	3	BFR370	RAKE WHEEL CENTER
8	3	BFR369	RAKE WHEEL RING
9	24	T82	RAKE WHEEL TOOTH
10	24	YBHH12100	BOLT HEX, 3/8 X 2-1/4 G5
11	24	BFR371	RAKE WHEEL SPACER
12	18	YWLO76015	WASHER LOCK, M10
13	25	YNL12005	NUT HEX, TOP LOCK, 3/8-16
14	3	T163	SEAL
15	3	600012	INNER BEARING AND RACE
16	36	YBHH76005	BOLT HEX, 10MM X 25MM
17	3	BFR32	RAKE WHEEL HUB
18	36	YNHX76015	NUT HEX, 10MM
19	3	600014	OUTER BEARING AND RACE
20	3	YNL24010	NUT HEX SLOTTED, 3/4
21	3	YPCT05010	COTTER PIN, 5/32 X 1-1/2
22	3	T173	HUB CAP
23	1	BFR116	HYD CYLINDER
24	1	BFR114	PISTON
25	1	BFR115	O-RING
26	1	BFR121	HYD HOSE
27	1	58723	3/8 MALE ADPTER W/ORIFICE
28	1	RG21	GREASE ZERK, 45 DEGREE
29	1	CHM242	TEE SWIVEL RUN
30	1	YBHH16115	BOLT HEX, 1/2 X 3-1/2 G5
31	1	YNL16005	NUT HEX, TOP LOCK, 1/2
32	1	73977	KICKER WHEEL STANDOFF
33	3	YPEX10015	EXPANSION PIN, 5/16 X 1-3/4
34	1	BFR515	CYLINDER PIN
35	2	BFR27	BUSHING
36	2	BFR197	LOCKING PIN
37	2	YPHR02010	HAIR PIN
38	1	BR62	SPRING
39	1	YBTE12025	BOLT, TURNED EYE, FULL THREAD, 3/8 X 3
40	1	YBHH24070	BOLT HEX, 3/4 X 4 G5
41	1	YNL24005	NUT HEX, TOP LOCK, 3/4-10
42	1	BFR720	PIVOT LOCK COLLAR
43	1	BFR721	BEAM LOCK PIN
44	1	YPHR02005	HAIR PIN
45	4	73993	FITTING
46	4	YNRL16005	NUT HEX, 1/2
47	1	23N234	STREET ELBOW, 3/8
48	3	BFR76	COMPLETE HUB
49	3	BFR748	COMPLETE WHEEL

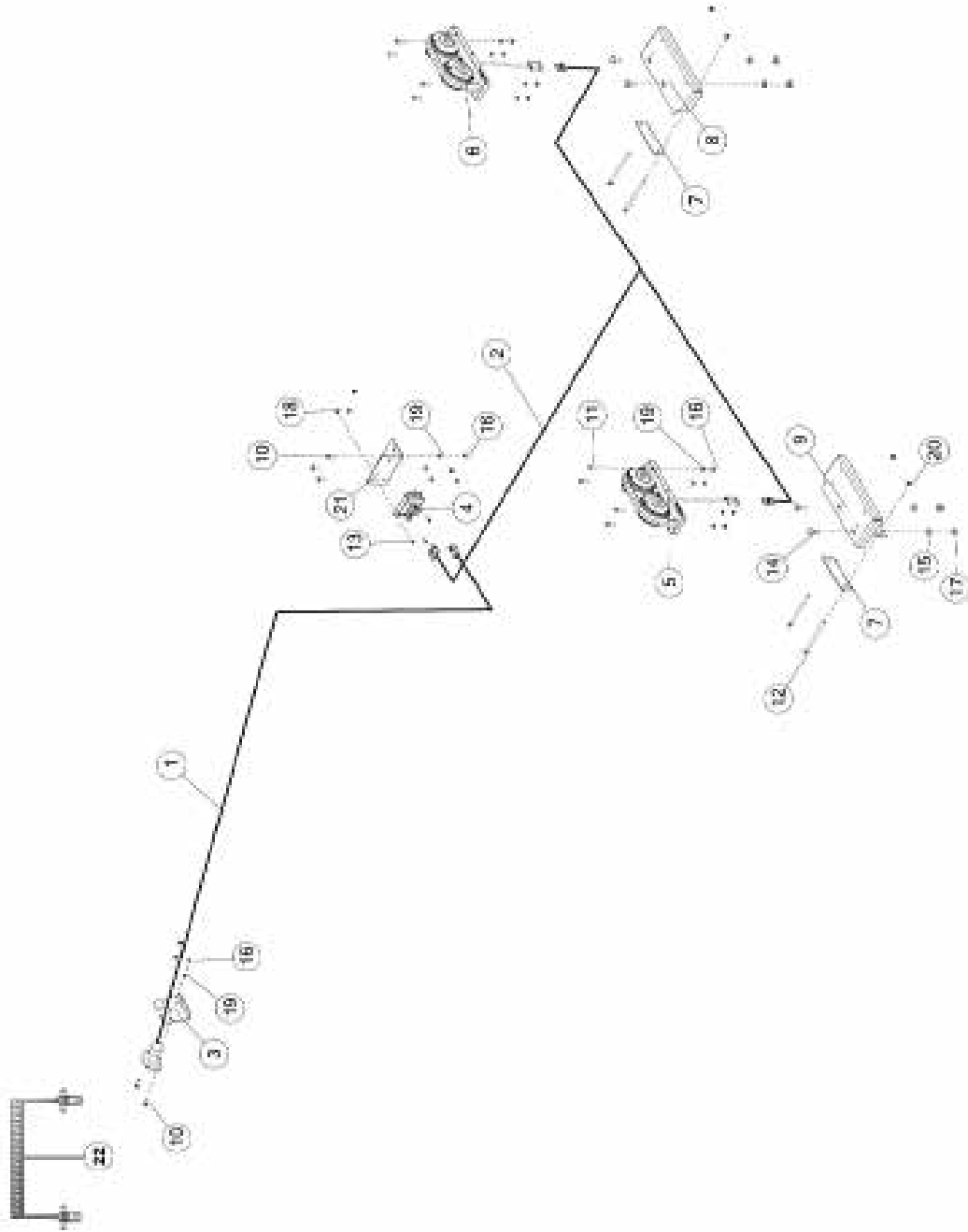
**FIGURE 17**  
**WIND GUARD**



**FIGURE 17**  
**WIND GUARD**

<b><u>ITEM</u></b>	<b><u>QTY</u></b>	<b><u>PART#</u></b>	<b><u>DESCRIPTION</u></b>
1	1	59039	WIND GUARD, 60 IN
2	16	CIZT105	ZIPTIE

**FIGURE 18**  
**OPTIONAL RAKE LIGHTS**



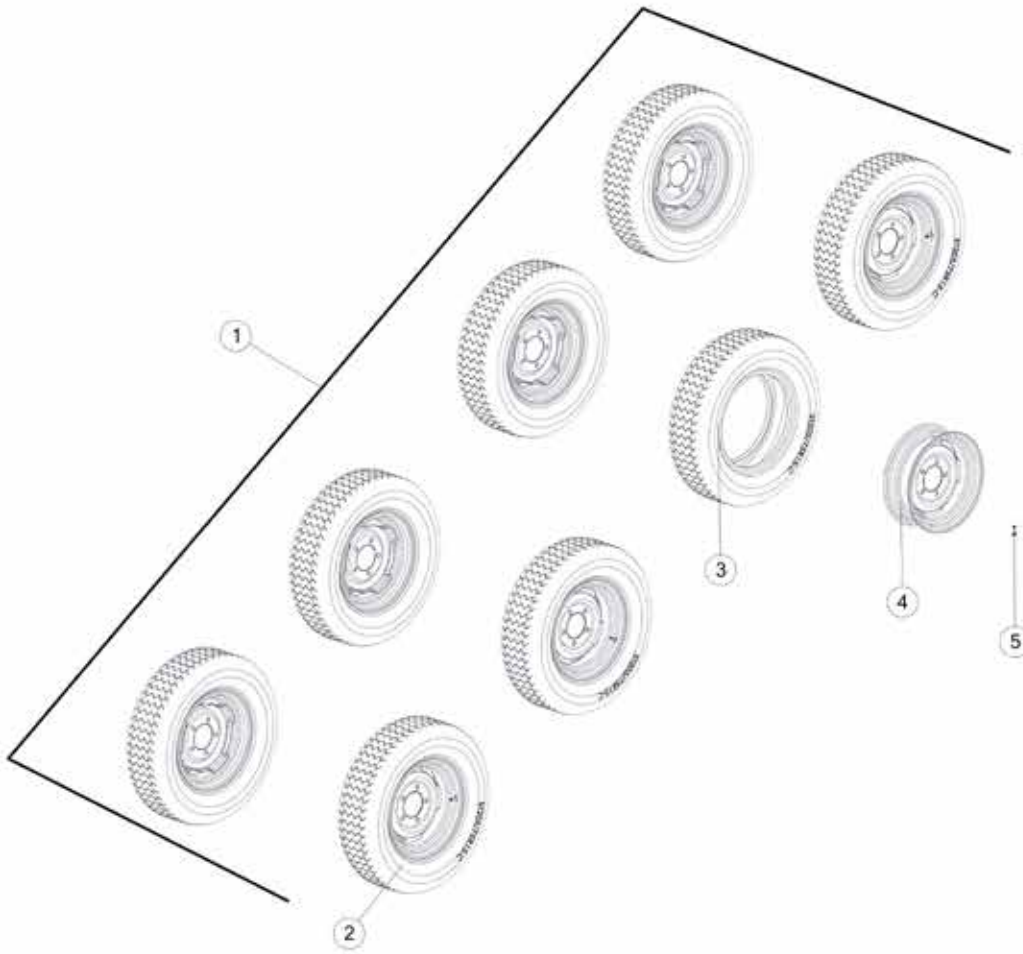
## FIGURE 18

### OPTIONAL RAKE LIGHTS

<u>ITEM</u>	<u>QTY</u>	<u>PART#</u>	<u>DESCRIPTION</u>
1	1	77858	LIGHT HARNESS FRONT
2	1	77847	LIGHT HARNESS REAR
3	1	BFR659	LIGHT BRACKET
4	1	69908	MODULE CONTROL BLINKER
5	1	77923	TAIL LIGHT LH
6	1	77924	TAIL LIGHT RH
7	2	77977	LIGHT BRACKET, PLATE
8	1	77844	LIGHT BRACKET RH
9	1	77846	LIGHT BRACKET LH
10	1	78369	MODULE BRACKET
11	5	YBHH08005	BOLT HEX, 1/4 X 1 G2
12	8	YBHH08030	BOLT HEX, 1/4 X 1-1/4 G2
13	4	YBHH10133	BOLT HEX, 5/16 X 5-1/2 G5
14	4	YBHH16010	BOLT HEX, 1/2 X 1 G5
15	3	YSPN64005	SCREW PAN HEAD #10-24 X 5/8
16	5	YWLO08005	WASHER LOCK, 1/4
17	4	YWLO16005	WASHER LOCK, 1/2
18	5	YNHX08005	NUT HEX, 1/4 G5
19	4	YNHX16005	NUT HEX, 1/2 G2
20	4	YNNY10005	NUT HEX, 5/16 G2
21	3	YNNY64005	NUT HEX, #10-24 G2
22	1	TLCP	TRANSPORT LIGHT CORD

**\*MEANS NOT SHOWN**

**FIGURE 19**  
**OPTIONAL TIRE & WHEEL**





**FIGURE 19**  
**OPTIONAL TIRE & WHEEL**

<b><u>ITEM</u></b>	<b><u>QTY</u></b>	<b><u>PART#</u></b>	<b><u>DESCRIPTION</u></b>
1	8	TWP205R8	(8) ST205/75R15-C TIRE OPTION
2	8	75697	205/75R15 TIRE ON AG WHEEL
3	8	75696	ST205/75R15-C RADIAL TIRE
4	8	BFR67	WHEEL 5 X 15 5 BOLT
5	8	72436	VALVE STEM, 1-1/2

# PARTS NOTES

---

---

---

---

---

---

---

---

---

---

---

---

---

---

---

---

---

---

---

---

---

---

---

---

---

---

---

---

# CHANGE NOTES

1. Added TLPC to Figure 18
2. Replace BFR450 with 87599, Figure 1
3. Figure 11 Update image and parts

**H&S MFG. CO.**

products approved

for the

**FEMA**

**SEAL OF QUALITY**

