

BAUMALIGHT™

SPLINTER WOOD SPLITTER & PLANER RSS380 RSS580 RSS780

OPERATOR'S MANUAL

TABLE OF CONTENTS

1 INTRODUCTION	1
1.1 Overview.....	1
1.2 Intended Use And Foreseeable Misuse	1
2 SAFETY	2
2.1 Safety Alert Symbol And Safety Words	2
2.2 Operational Hazards.....	2
Prepare for Emergencies	3
Replace Safety Signs	3
Do Not Allow Riders	3
Lower Operating Speed	4
Avoid Rollover	4
Avoid Powerlines & Underground Utilities	4
Detach Splinter Safely.....	4
Hazards From Modifying Equipment	4
2.3 Maintenance Hazards.....	5
3 SAFETY SIGNS	6
4 OPERATION	8
4.1 Preparation For Use	8
4.2 Hydraulic Connections	8
4.3 Machine Components	9
4.4 Attach To Skid steer	9
4.5 Attachments	10
4.5 Transporting.....	10
4.6 First Time User Tips	11
4.7 Field Operation	11
Splitter Screw Operation.....	12
Planer Operation.....	12
4.8 Detach From Skid steer	13
5 SERVICE AND MAINTENANCE	14
5.1 Daily	14
5.2 Motor Shaft Seal RSS780 Only	14
6 TROUBLESHOOTING	15
7 WARRANTY	16

1 INTRODUCTION

1.1 Overview

Congratulations on your choice of a Baumalight Splinter to complement your wood clearing operation. This equipment has been designed and manufactured to meet the needs of a discriminating buyer for efficient operation.

The Splinter's power comes from the hydraulically-driven motor mounting on a planetary drive, delivering a high amount of torque to the head.

Skid steer must have suitable safety equipment properly installed.

Safe, efficient and trouble free operation of your Splinter requires that you and anyone else who will be operating or maintaining the Splinter, read and understand the Safety, Operation, Maintenance and Troubleshooting information contained within the Operator's Manual.

This manual covers the Baumalight RSS380, RSS580 and RSS780 Splinter. Use the Table of Contents as a guide to locate required information.

Keep this manual handy for frequent reference and to pass on to new operators or owners. Call your Baumalight dealer, distributor or the factory if you need assistance, information or additional copies of the manuals.

OPERATOR ORIENTATION - The directions left, right, front and rear, as mentioned throughout this manual, are as seen from the driver's seat and facing in the direction of travel.

1.2 Intended Use And Foreseeable Misuse

The Splinter is designed to be used by an experienced operator. Operator must be trained in the safe operation of a skid steer and hazards related to using the Splinter and the safe use of the Splinter for the intended purpose. Operators will require personal protective equipment to reduce the risk from some hazards that cannot be completely eliminated or controlled by the design of the Splinter.

Care is required to ensure that the Splinter will not come in contact with metallic objects, stones or other materials.

Splinters are not designed for use in hazardous atmospheres where there is a risk of fire or explosion due to flammable gases or vapors. Use in hazardous, explosive atmospheres is prohibited. Serious injury or death of the operator or bystanders may be caused if Splinter is misused. Misuse may also cause damage to the machine carrying the Splinter.

2 SAFETY

2.1 Safety Alert Symbol And Safety Words

You must read, understand and follow the instructions given by the skid steer manufacturers, as well as the instructions in this manual.

The safety information in this manual is denoted by the safety alert symbol:



This symbol means ATTENTION! BECOME ALERT! YOUR SAFETY IS INVOLVED!

The level of risk is indicated by the following signal words:

⚠ DANGER
DANGER - Indicates a hazardous situation, which, if not avoided, WILL result in death or serious injury.

⚠ WARNING
WARNING - Indicates a hazardous situation, which, if not avoided, could result in death or serious injury.

⚠ CAUTION
CAUTION - Indicates a hazardous situation, which, if not avoided, could result in minor or moderate injury.

NOTICE
<i>NOTICE</i> - Indicates a situation that could result in damage to the equipment or other property.

2.2 Operational Hazards

⚠ WARNING
Prevent death or serious injury.
Read and understand this manual before operating the Splinter.
Always stop engine and remove key before leaving operators seat.
Never allow anyone near the Splinter during operation.
Travel at a safe speed.

⚠ WARNING
Prevent death or serious injury from moving parts.
Moving parts can crush and dismember.
Do not operate without guards and shields in place.
Disconnect and lockout power source before adjusting or servicing.

⚠ WARNING
Use the Splinter only for the designed applications.
Any other use may result in personal injury, damage to equipment and may void the warranty.

⚠ WARNING

Prevent death or serious injury.

Verify the Splinter is locked to skid steer before operation or transport.

⚠ WARNING

Protect from flying debris.

Wear proper safety glasses, goggles, or a face shield to protect from flying debris.

Carefully read all safety messages in this manual and on equipment safety signs. Keep safety signs in good condition and replace missing or damaged safety signs.

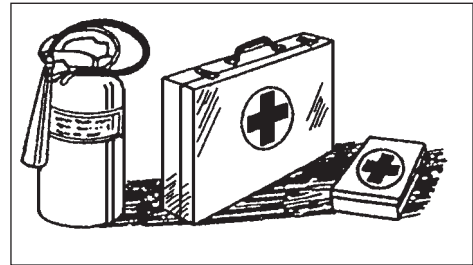
New equipment components and repair parts must include the current safety decal.

Learn how to properly operate equipment. NEVER operate or work around this equipment without proper instruction, while fatigued or under the influence of alcohol, prescription or non-prescription medication or if feeling ill.

Keep your equipment in proper working condition. Know the regulations and laws that apply to you and your industry. This manual is not to replace any regulations or laws. Additional information may be found at: www.asae.org or www.osha.gov. If you do not understand any part of this manual, contact Baumalight at 866-820-7603.

Prepare for Emergencies

- Be prepared in case of emergencies.
- Keep a fire extinguisher and first aid kit close to the machine.
- Keep emergency phone numbers close to your phone.
- Know your address so emergency services can locate you if an emergency arises.



Replace Safety Signs

- Replace missing or damaged safety signs.
- Safety signs are identified in Section 3 of this manual.
- Replacement safety signs are available from your Baumalight dealer.

Do Not Allow Riders

- NEVER lift or carry anyone on the Splinter.
- NEVER use Splinter as a work platform.
- NEVER allow passengers on the Splinter.

Lower Operating Speed

Keep Splinter low and move at slow speeds on rough or uneven terrain.

Lower operating speed while traveling in heavy conditions.

Avoid Rollover

The equipment may rollover, resulting in death or serious injury. To help prevent rollover:

- Travel at a slow speed.
- Avoid sharp turns & sudden movement on slopes.
- Carry Splinter close to the ground.
- Avoid holes, ditches and other obstructions which may cause equipment to rollover.
- Balance load so weight is evenly distributed and load is stable.
- Use caution when operating on slopes and do not operate on excessively steep slopes.
- Do not exceed load capacity of equipment.

Avoid Powerlines & Underground Utilities

DANGER

Prevent electrocution.

Death or serious injury can result if equipment comes near or contacts power lines.

Electrocution can occur without direct contact.

- Check clearance before raising equipment.
- Have local utilities locate and mark underground wires, cables, pipelines and other hazards before operation.

DO NOT leave the operator's seat if any part of the equipment contacts electric lines or cables.

Detach Splinter Safely

Detach Splinter on a firm and level surface. Be sure people, livestock and pets are clear of machinery.

Raised Attachment

WARNING

Crushing hazard.

Raised, unsupported Splinter can fall, resulting in death or serious injury.

Never enter the area under a raised Splinter.

A raised Splinter can lower unexpectedly, resulting in death or serious injury.

NEVER enter area under a raised Splinter.

Lower Splinter to ground, engage parking brake, shut off engine and remove key before servicing.

Hazards From Modifying Equipment

Do not make any alterations to your Splinter. Altering may cause your equipment to be unsafe and may void the manufacturers' warranty.

Avoid Loud Noise

WARNING

Prolonged exposure to loud noise can cause impairment or loss of hearing.

Wear a suitable hearing protective device such as earmuffs or earplugs to protect against objectionable or uncomfortable loud noises.

Stay Clear Of Moving Parts

WARNING

Moving parts can cause serious injury or death.

Keep shields and guards in place at all times. DO NOT operate without shields and guards.

DO NOT wear loose fitting clothing.

Avoid Wood Dust Inhalation

WARNING

Wear an approved respirator (N95 Type as a minimum).

Follow local, state and federal regulations.

The health effects from exposure to wood dust are due to chemicals in the wood or chemical substances in the wood created by bacteria, fungi, or molds.

2.3 Maintenance Hazards

Before servicing, park machine on a firm and level surface, set parking brake and place a “Do Not Operate” tag on control panel. Read and understand this manual. If you do not understand any part of the manual, contact Baumlight at 866-820-7603.

Always wear face and/or eye protection, safety shoes, and other protective equipment appropriate for the job.

Do not make unauthorized modifications. Contact Baumlight at 866-820-7603. Before you weld, cut/drill holes, or make any other modifications.

Always use Baumlight replacement parts.

WARNING

Moving parts can entangle and cut.

Keep clear of moving parts. Follow lockout procedure before servicing.

WARNING

Crushing hazard.

Before performing inspections, service or maintenance:

Park machine on firm, level surface.

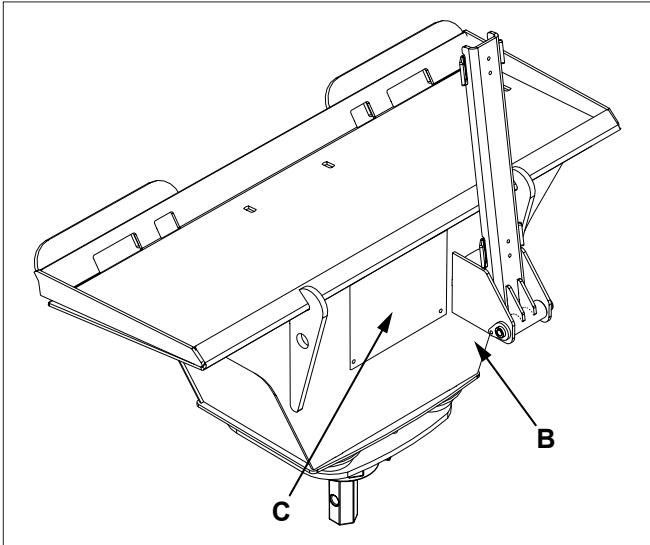
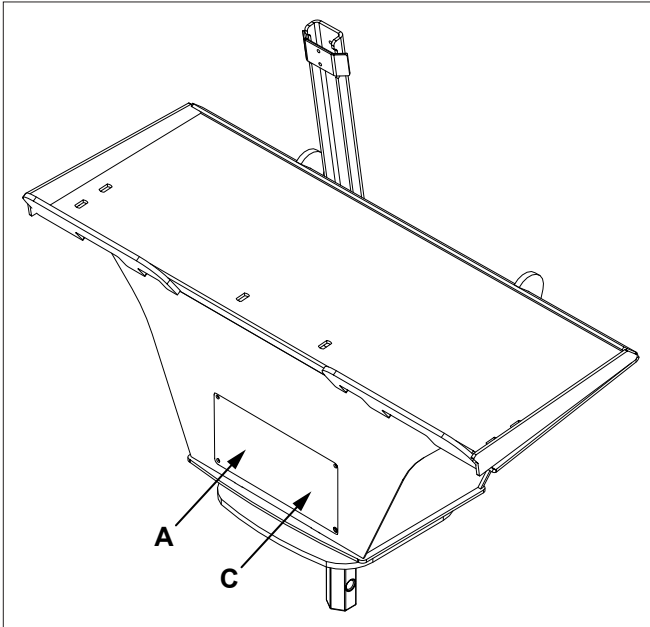
Engage parking brake.

Turn engine off and remove key.

Place “Do Not Operate” tag on control panel.

3 SAFETY SIGNS

The RSS580 is shown below. The RSS380 and RSS780 are similar.



A. MTB-175 Safety Sign



B. MTB-182 Safety Sign



C. MTB-183 Safety Sign



4 OPERATION

4.1 Preparation For Use

Although the Splinter has been carefully inspected and checked prior to shipment from manufacturer, it is recommended that the unit be thoroughly inspected.

Check all bolts for tightness and remove all shipping tags, bags, skids, and blocking.

Remove any masking materials affixed during painting. Inspect equipment to verify that nameplates and all safety warning, caution signs and decals provided with the equipment are in place and clearly visible.

Visually inspect the Splinter before each start up. Check for loose or missing parts and any damage that may have occurred during moving or shipping.

Review all skid steer pre-start instructions, and verify that all recommended steps and procedures have been followed.

4.2 Hydraulic Connections

⚠ WARNING
Pressurized fluids can penetrate the skin.
Disconnect and lock out power source before disconnecting and/or connecting hydraulic hoses.

The RSS Splinters come equipped with pressure hose, return hose and a case drain hose installed.

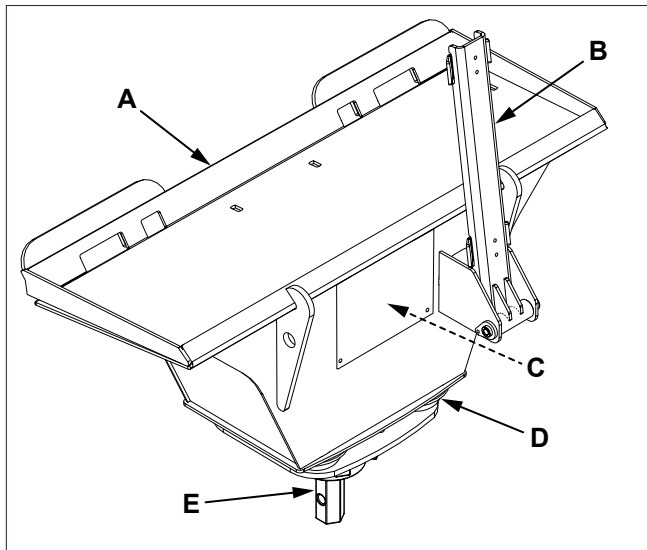
Connect 1/2 in. pressure hose, 1/2 in. return hose to skid steer pressure and return couplers.

The RSS780 must have the case drain hose connected to the skid steer return to sump/reservoir coupler.

The RSS380 and RSS580 can operate without case drain if hydraulic pressure is under 2500 psi (17237 kPa). If hydraulic pressure is near or may exceed 2500 psi (17237 kPa), connect case drain hose on Splinter to skid steer return to sump/reservoir coupler.

4.3 Machine Components

- A. Skid Steer Quick Attach Mounting Plate
- B. Hydraulic Hose Holder
- C. Hydraulic Motor
- D. Vibro-Isolator Mounts
- E. Gearbox Shaft



4.4 Attach To Skid Steer

⚠ WARNING

To prevent injury or machine damage put transmission in park.

Never position yourself between skid steer and Splinter.

Only experienced and properly trained operator may operate skid steer and Splinter.

1. Read and follow all safety instructions.
2. Attach skid steer to Splinter. See skid steer operator's manual.
3. Connect hydraulic hoses. Verify hydraulic hoses are clear of pinch areas and moving parts.
4. Move to a clear open area to test functions.

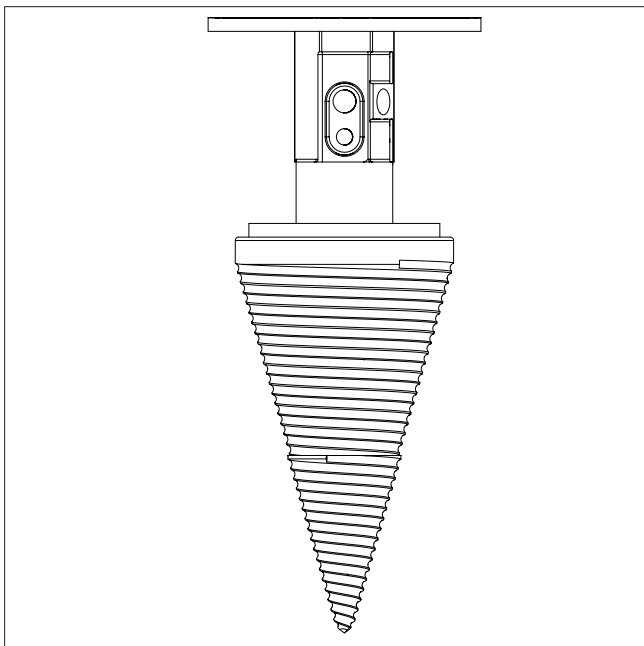
4.5 Attachments

⚠ WARNING

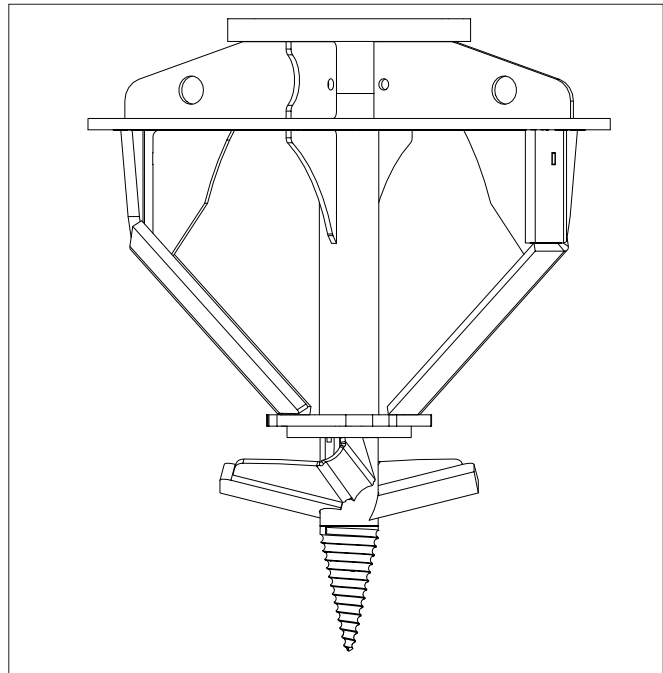
Prevent serious injury or death caused by unexpected movement:

1. Park on a level surface.
2. Lower Splinter close to ground.
3. Engage parking brake.
4. Shut off engine and remove key.

1. Attach splitter screw or planer to gearbox.



Splitter Screw



Planer

4.5 Transporting

1. Verify all reflectors and Slow Moving Vehicle (SMV) sign are visible.
2. Verify hydraulics to Splinter are disengaged.
3. Raise Splinter slightly off the ground.
4. Travel at a reasonable and safe speed.

4.6 First Time User Tips

Operate all functions in a clear area low speed to get a good feel for the controls.

Move Splinter into wood slowly until you have a better feel how much the unit can take.

Each operator must experiment to find a technique that works for them in their application.

WARNING

Always stop engine and remove key before leaving operators seat.

4.7 Field Operation

WARNING

Prevent serious injury or death caused by unexpected movement:

- 1. Park on a level surface.**
- 2. Lower Splinter to ground.**
- 3. Engage parking brake.**
- 4. Shut off engine and remove key.**

WARNING

Keep shields and guards in place at all times. Do not operate without shields and guards.

Do not wear loose fitting clothing.

WARNING

Never operate Splinter when other people are in the vicinity.

Debris can be thrown from cutting area.

Do not allow riders.

WARNING

Clean machine thoroughly before service or maintenance procedures.

The health effects from exposure to wood dust are due to chemicals or chemical substances in the wood created by bacteria, fungi, or molds.

Inspect work area to verify there are no rocks, metal or other debris before cutting.

Attach Splinter to skid steer.

Splitter Screw Operation

1. Set engine speed to low idle and engage hydraulics.
2. Verify splitter is turning in forward direction.
3. Slowly increase engine speed to high idle.
4. Verify splitter is operating smoothly and move splitter into log.
5. Slowly push splitter into wood. If wood does not split, reverse hydraulic flow to back splitter out of wood.
6. Move to another location and repeat step 4-5.

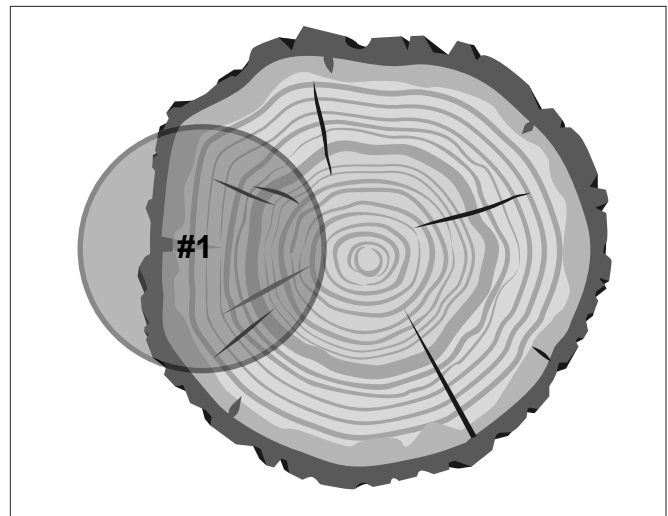


Planer Operation

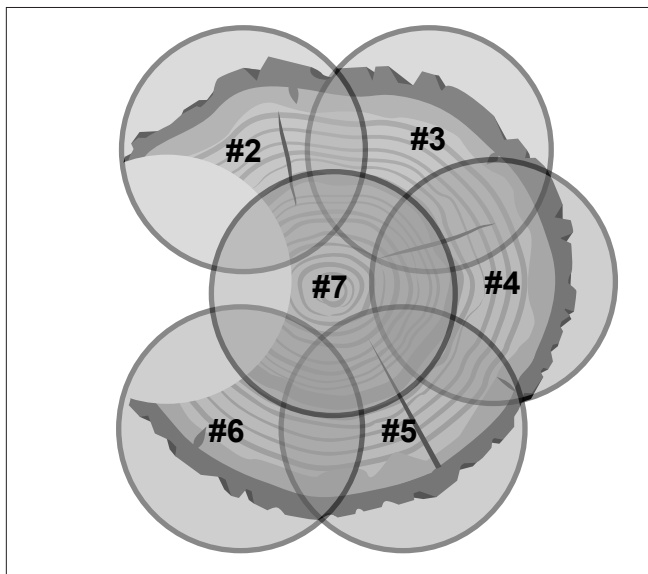
1. Set engine speed to low idle and engage hydraulics.
2. Verify planer is turning in forward direction.
3. Slowly increase engine speed to high idle.
4. Verify planer is operating smoothly and move planer into stump.

Note: Beginning from the center of a large stump will leave a ridge around the outer edge that will not allow the blades to cut efficiently, and will end up breaking off chunks.

5. When positioning the planer on a stump that is larger than the large blade diameter, It is important to begin cutting from one side, rather than center. Begin at one side, shearing down to the desired level.



6. Move around the perimeter, ensuring that there are no outer ridges being left behind.
7. Once the center area is smaller than the diameter of the large blades, a center cut can be made to finish the job.



⚠ WARNING
Moving parts can crush and cut.
Keep clear of moving components.
Lockout skid steer before clearing jams.

8. If planer stalls, stop movement, raise slightly and allow planer to regain speed. Slow movement into stump to prevent further stalling.

4.8 Detach From Skid Steer

⚠ WARNING
Prevent death or serious injury caused by unexpected movement:
<ol style="list-style-type: none"> 1. Park on a level surface. 2. Lower Splinter to ground. 3. Engage parking brake. 4. Shut off engine and remove key.

1. Park skid steer on a level surface.
2. Lower Splinter to the ground and lay on side.
3. Shut off engine and remove key.
4. Disconnect hydraulic hoses.
5. Detach skid steer from Splinter. See skid steer Operator's Manual.

5 SERVICE AND MAINTENANCE

5.1 Daily

⚠ WARNING

Prevent serious injury or death caused by unexpected movement:

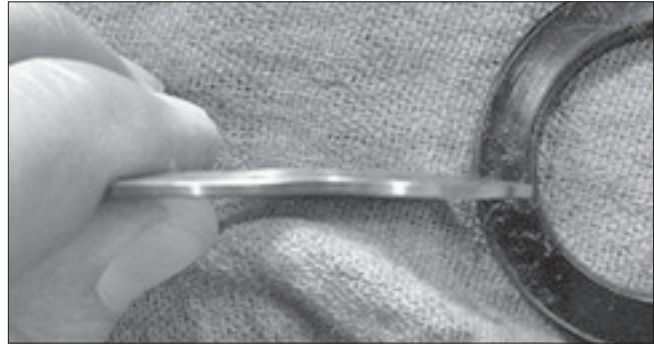
1. Park on a level surface.
2. Lower Splinter to ground.
3. Engage parking brake.
4. Shut off engine and remove key.

Inspect the unit for buildup of dirt and debris. Clean out as needed.

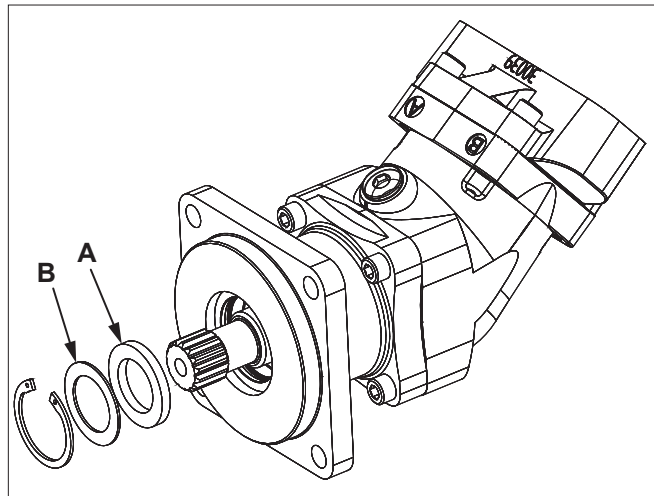
5.2 Motor Shaft Seal RSS780 Only

To prevent hydraulic motor damage, the motor shaft seal is designed to fail if case pressure exceeds 100 psi (689 kPa).

If motor shaft seal (A) has failed, verify case drain line is free flow to sump or reservoir. Also check drain line for blockage. Correct any problems before replacing shaft seal.



Over-Pressurized Damaged Washer (B)



Order replacement seal kit from Baumlight and follow instructions provided with kit.

Motor Shaft Seal Replacement manual can be found at www.baumalight.com/support

Note: Parts breakdown can be found on Baumlight's website. www.baumalight.com

6 TROUBLESHOOTING

PROBLEM	CHECK	SOLUTION
Bit does not spin.	Bit jammed.	Remove material from bit.
	Verify hydraulic hoses are connected.	Connect hoses.
Skid steer is not able to lift Splinter.	Skid steer is too small.	Use proper size skid steer.

7 WARRANTY

This product is warranted to be free of defects in materials and workmanship under normal use and service, for a period of one year from the date of purchase, when operated and maintained in accordance with the Operating and Maintenance Instructions supplied with this unit. This warranty does not cover misuse or negligence.

Under no circumstances will the manufacturer be liable for any consequential damage or expense of any kind, including loss of profits. The manufacturer is under no circumstances liable for skid steer damage of any kind. The manufacturer is not liable for the maintenance of the product.

This warranty is extended only to the original purchaser. Warranty is void if repairs are attempted by anyone other than an Authorized Service Center.

If a difficulty develops with the product, you should contact your nearest Authorized Repair Center, or distributor. Only these locations are authorized to make repairs to the product or affect the replacement of defective parts, which will be done at no charge within a reasonable time after the receipt of the product. Units or parts should be returned at the customer's expense to the nearest repair location or Authorized Service Center. Pack unit in a strong carton and pad tightly to avoid damage. Damage in-transit is not covered by warranty. Include original purchase receipt with any claim (keeping a copy for your files).

The Manufacturer's Liability is limited to repair of the product and/or replacement of parts and is given to the purchaser in lieu of all other remedies including incidental and consequential charges. There are no warranties, expressed or implied other than those specified herein. For the nearest Authorized Service Center call the manufacturer.

Please note the following details and file this information in an appropriate place.

Model Number: _____ S/N: _____

Date of Purchase: _____ Owner's Name _____



For parts, specifications and the latest machine information please visit our website.
www.baumalight.com

MTB MFG INC.
CORPORATE HEADQUARTERS
4575 Powell Rd.,
Wallenstein, Ontario Canada
N0B 2S0
Phone - 519.698.9864
Toll Free - 866.820.7603
Fax - 519.698.1087
www.baumalight.com

