



Crop Seeder DRL-048 & 072



Operator's Manual

Page left blank intentionally

TO THE DEALER:

Assembly and proper installation of this product is the responsibility of the Tar River dealer. Read manual instructions and safety rules. Make sure all items on the Dealer's Pre-Delivery and Delivery Check Lists in the Owner's/Operator's Manual are completed before releasing equipment to the owner.

TO THE OWNER:

Read this manual before operating your Tar River equipment. The information presented will prepare you to do a better and safer job. Keep this manual handy for ready reference. Require all operators to read this manual carefully and become acquainted with all the adjustment and operating procedures before attempting to operate. Replacement manuals can be obtained from your selling dealer. The equipment you have purchased has been carefully engineered and manufactured to provide dependable and satisfactory use. Like all mechanical products, it will require cleaning and upkeep. Lubricate the unit as specified. Observe all safety information in this manual and safety decals on the equipment. For service, your authorized Tar River dealer has trained mechanics, genuine Tar River service parts, and the necessary tools and equipment to handle all your needs. Use only genuine Tar River service parts. Substitute parts will void the warranty and may not meet standards required for safe and satisfactory operation.

Record your implement model and serial number in the space provide below. Your dealer will need this information to give you prompt, efficient service.

Model Number: _____

Serial Number: _____

Date Purchased: _____

Table of Contents

Introduction	5
Technical Specifications	5
Safety	6
Safety Signal Words	6
General Safety Guidelines	7
Safety Decal Care	7
Before Operation	8
During Operation	9
Highway And Transport Operations	10
Assembly	12-15
Operating Instructions.....	16-18
Before Beginning	16
Adjust Seed Cup Output	16
Seeding/Fertilizing Rate Adjustment Handle	17
Seed Cup Shutoff	18
Seed Depth Rear Roller.....	18
Lubrication and Maintenance	19
Changing Discs	19
Application Rate/Seed Charts.....	20-21
Torque Specifications	22
Parts Breakdown	23-35
Decals	36-38
Warranty	39

Introduction

Thank you for purchasing your DRL Crop Seeder. The DRL Crop Seeder designed to be used in prepared seeding conditions. It is not intended as a No-Till Drill. It is important to properly maintain and keep in place all safety guards and shields that came with you machine.

These seeders can seed corn, beans, oats, wheat, etc. The two boxes are equipped with closeable slides for each row. The seeder is equipped with 2 separate boxes. Each is made with a stainless steel box and nylon/plastic seed rollers to disperse seeds effectively and accurately.

Technical Specifications

- Suitable for drilling and fertilizing corn, beans, oats, etc. in level or gently rolling fields.
- The double disc coulters create an opening to fertilize and seed easily in tilled soil.
- The depth of seeding can be adjusted. Seeding quantity can be adjusted.
- The seeder can plant seeds, fertilize, roll and drag all at the same time.

	DRL-048	DRL-072
Weight	569 lbs.	625 lbs.
Req. HP	Minimum 20 HP	Minimum 20 HP
Seeding Rows	7	10
Row Spacing	7.00"	7.00"
Seed/Fertilizer Rate	See page 20 for "Seed Rate Chart"	See page 20 for "Seed Rate Chart"
Sowing Depth	3/4" - 2"	3/4" - 2"

Important Safety Information

Safety

It is important that you read the entire manual and to become familiar with this product before you begin using it. This product is designed for certain applications only. The manufacturer cannot be responsible for issues arising from modification. We strongly recommend this product not be modified and /or used for any application other than that for which it is designed. If you have any questions relative to a particular application, DO NOT use the product until you have first contacted us to determine if it can or should be performed on the product.

Read and understand this manual and all safety signs before operating and maintaining . Review the safety instructions and precautions annually.

Safety Signal Words

TAKE NOTE! This safety alert symbol found though out this manual is used to call you attention to instructions involving you personal safety and the safety of others. Failure to follow these instructions can result in injury or death.



**This symbol means:
Attention!
Become alert!
Your safety is involved!**

Note the use of the signal words, DANGER, WARNING and CAUTION with the safety messages. The appropriate signal word for each has been selected using the following guidelines:



DANGER: Indicates an imminently hazardous situation that, if not avoided, will result in death or serious injury. This signal word is to be limited to the most extreme situations typically for machine components which, for functional purposes, cannot be guarded.



WARNING: Indicates a potentially hazardous situation that, if not avoided, could result in death or serious injury, and includes hazards that are exposed when guards are removed. It may also be used to alert against unsafe practices.



CAUTION: Indicates a potentially hazardous situation that, if not avoided, may result in minor or moderate injury. It may also be used to alert against unsafe practices.

Important Safety Information

General Safety Guidelines

Safety of the operator is one of the main concerns in designing and developing a new piece of equipment. Designers and manufacturers build in as many safety features as possible. However, every year many accidents occur which could have been avoided by a few seconds of thought and a more careful approach to handling equipment. You, the operator, can avoid many accidents by observing the following precautions in this section. To avoid personal injury, study the following precautions and insist those working with you, or for you, follow them.

Replace any DANGER, WARNING, CAUTION or instruction safety decal that is not readable or is missing. Location of such decals are indicated in this manual. Do not attempt to operate this equipment under the influence of drugs or alcohol.

Review the safety instructions with all users annually.

This equipment is dangerous to children and persons unfamiliar with its operation. The operator should be a responsible adult familiar with farm machinery and trained in this equipment's operations. **Do not allow persons to operate or assemble this unit until they have read this manual and have developed a thorough understanding of the safety precautions and of how it works.**

To prevent injury of death, use a tractor equipped with a Roll Over Protection System (ROPS). Do not paint over, remove or deface any signs or warning decals on your equipment. Observe all safety signs and practice the instructions on them.

Never exceed the limits of a piece of machinery. If its ability to do a job, or to do so safely, is in question - **Don't try it!**



Safety Decal Care

- Keep safety signs clean and legible at all times.
- Replace safety signs that are missing or have become illegible.
- Replaced parts that displayed a safety sign should also display the current safety sign
- Safety signs are available from your Distributor or Dealer Parts Department or the factory.

Important Safety Information

How to install Safety Signs:

- Be sure that the installation area is clean and dry.
- Decide on the exact position before you remove the backing paper.
- Remove the smallest portion of the split backing paper.
- Align the decal over the specified area and carefully press the small portion with the exposed sticky backing in place.
- Slowly peel back the remaining paper and carefully smooth the remaining portion of the decal in place.
- Small air pockets can be pierced with a pin and smoothed out using the piece of decal backing paper.



Before Operation

- Carefully study and understand this manual.
- Do not wear loose-fitting clothing, which may catch in moving parts.
- Always wear protective clothing and substantial shoes.
- Assure that all tires are inflated evenly.
- Give the unit a visual inspection for any loose bolts, worn parts or cracked welds, and make necessary repairs. Follow the maintenance safety instructions included with this manual.
- Be sure that there are no tools lying on or in the equipment.
- Do not use the unit until you are sure that the area is clear, especially of children and animals.
- Don't hurry the learning process or take the unit for granted. Ease into it and become familiar with your new equipment.
- Practice operation of your equipment and its attachments. Completely familiarize yourself and other operators with its operation before using.
- Use a tractor equipped with a Roll Over Protection System (ROPS) and fasten your seat belt prior to starting engine.
- The manufacturer does not recommend usage of tractor with ROPS removed.
- Move tractor wheels to the widest recommended settings to increase stability.
- Securely attach to towing unit. Use a high strength, appropriately sized hitch pin with a mechanical retainer and attach safety chain.
- Do not allow anyone to stand between the tongue or hitch and the towing vehicle when backing up to the equipment.

Important Safety Information



During Operation

- Children should not be allowed on the product.
- Clear the area of small children and bystanders before moving the feeder.
- If using a towing unit, securely attach feeder by using a hardened 3/4" pin, a metal retainer, and safety chains if required. Shift towing unit to a lower gear before going down steep downgrades, thus using the engine as a retarding force. Keep towing vehicle in gear at all times. Slow down for corners and rough terrain.
- Make sure you are in compliance with all local and state regulations regarding transporting equipment on public roads and highways. Lights and slow moving signs must be clean and visible by overtaking or oncoming traffic when feeder is transported.
- Beware of bystanders, **particularly children!** Always look around to make sure that it is safe to start the engine of the towing vehicle or move the unit. This is particularly important with higher noise levels and quiet cabs, as you may not hear people shouting.
- **NO PASSENGERS ALLOWED!** Do not carry passengers anywhere on, or in, the tractor or equipment, except as required for operation.
- Keep hands and clothing clear of moving parts.
- Do not clean, lubricate or adjust your equipment while it is moving.
- When halting operation, even periodically, set the tractor or towing vehicle brakes, disengage the PTO, shut off the engine and **remove the ignition key.**
- Be especially observant of the operating area and terrain. Watch for holes, rocks or hidden hazards. Always inspect the area prior to operation.
- **DO NOT** operate near the edge of drop-offs or banks.
- **DO NOT** operate on steep slopes as overturns may result.
- Operate up and down (not across) intermediate slopes. Avoid sudden starts and stops.



Warning: Never backup with the implement on the ground! This will cause damage to the implement. Always lift the implement high enough to clear the ground before backing up.

Important Safety Information



Highway and Transport Operations

- Adopt safe driving practices.
- Keep the brake pedals latched together at all times. **Never use independent braking with machine in tow as loss of control and/or upset of unit can result.**
- Always drive at a safe speed relative to local conditions and ensure that your speed is low enough for an emergency stop to be safe and secure. Keep speed at a minimum.
- Reduce speed prior to turns to avoid the risk of overturning.
- Avoid sudden uphill turns on steep slopes.
- Always keep the tractor or towing vehicle in gear to provide engine braking when going downhill. Do not coast.
- Do not drink and drive!
- Comply with state and local laws governing highway safety and movement of farm machinery on public roads.
- Use approved accessory lighting flags and necessary warning devices to protect operators of other vehicles on the highway during daylight and nighttime transport. Various safety lights and devices are available from your dealer.
- The use of flashing amber lights is acceptable in most localities. However, some localities prohibit their use. Local laws should be checked for all highway and marking requirements.
- When driving the tractor and equipment on the road or highway under 40 kph (20 mph) at night or during the day, use the amber warning lights and a slow moving vehicle (SMV) identification emblem.
- Plan your route to avoid heavy traffic.
- Be a safe and courteous driver. Always yield to oncoming traffic in all situations, including narrow bridges, intersections, etc.
- Be observant of bridge loading ratings. Do not cross bridges rated at lower than the gross weight at which you are operating.
- Watch for obstructions overhead and to the side while transporting.
- Always operate in a position to provide maximum visibility at all times. Make allowances for increased length and weight of the equipment when making turns, stopping the unit, etc.
- Pick the most level route when transporting across fields. Avoid the edges of ditches or gullies and steep hillsides.
- Be extra careful when working in inclines.

Important Safety Information



Highway and Transport Operations

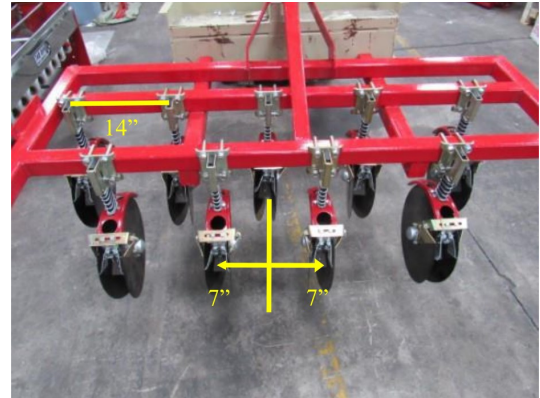
- Maneuver the tractor or towing vehicle at safe speeds.
- Avoid overhead wires or other obstacles. Contact with overhead lines could cause serious injury or death.
- Avoid loose fill, rocks and holes, they can be dangerous for equipment operation or movement.
- Allow for unit length when making turns,
- Operate the towing vehicle from the operator's seat only.
- Never stand alongside of unit with engine running or attempt to start engine and/or operate machine while standing alongside of unit.
- Never leave running equipment attachments unattended.
- As a precaution, always recheck the hardware on equipment following every 100 hours of operation. Correct all problems. Follow the maintenance safety procedures.

Assembly

Step 1: Support the frame a few feet above the floor with blocks or a Tar River Implement handler.

DRL-072

Align the double disc openers to the proper 7.00" spacing. It is easier to begin mounting the "U" bolts that hold that hold the Double Disc Assembly on one end and align the next one on the same bar 14.00" beside it. The Double Disc Assemblies mounted on the back bar should be in between the front. There will be 5 on each bar.



DRL-048

Align the center rear Double Disc opener of the machine using the 3 pt. support as a guide. Then slide the two front middle ones as far left and right as possible as in the picture. Then use these to adjust the remaining 14.00" on center. There will be 4 on the front bar and 3 on the rear.

Step 2:

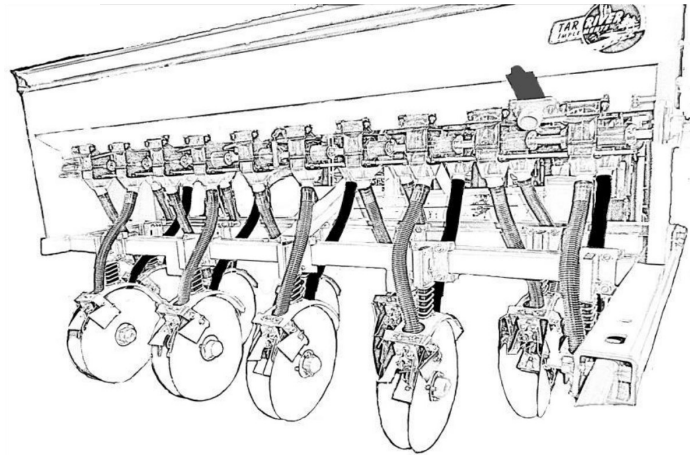
Mount hopper box with the lid opening facing the front of the implement. **DO NOT TIGHTEN THE BOLTS AT THIS TIME!**



Assembly

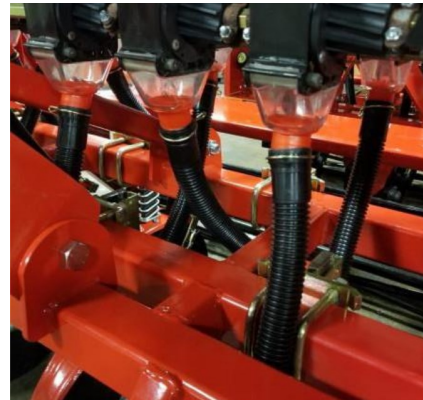
Step 3:

Separate the hoses which come with the machine. The 5 longer hoses are to be installed from the front seed cups to the rear double disc openers. The longer hoses are darkened in the illustration for clarity.



Step 4:

Use clamps to secure the hoses to the seed cups.



Step 5:

Insert the shut off flaps into each of the seed cups.



Assembly

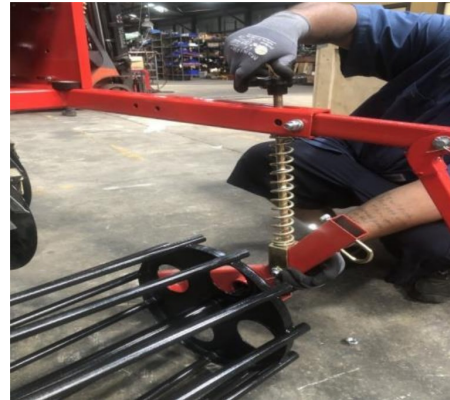
Step 6: Install the cage roller on both arms. Ensure grease fitting is to the outside. Secure in place with nuts and cotter pins.



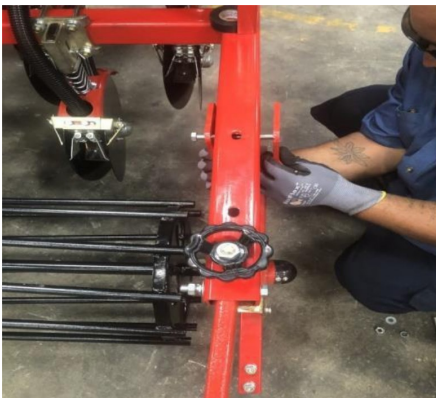
Step 7: Attach the packer wheel arm.



Step 8: Attach and install the roller adjustment rod.



Step 9: Install Roller Support Plates WITH FRONT BOLTS ONLY! THE BACK BOLTS ARE INSTALLED AFTER THE CHAIN GUARDS ARE INSTALLED.

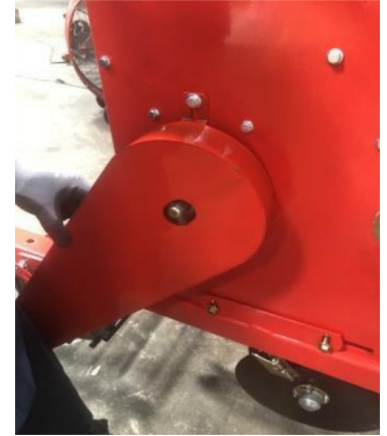
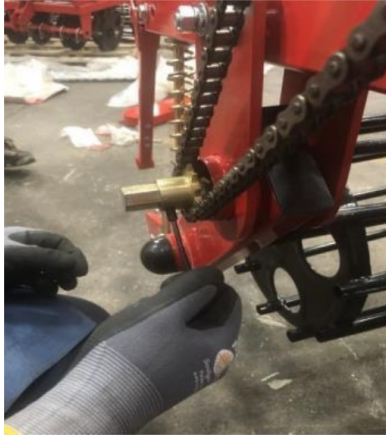


Step 10: Install chains.



Assembly

Step 11: Lightly push seed box forward to tighten the chain. Use an Allen wrench to tighten the drive sprocket after ensuring the chain is straight. Install chain shield.



Step 12: Install back bracket bolt out during roller assembly.

Step 12b: Install step board.

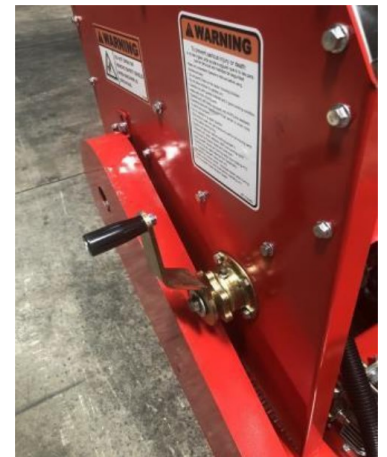
Step 13: Attach spring-loaded scraperboard.



Step 14: Install the packer wheel assembly.

Step 15: Install the tension spring.

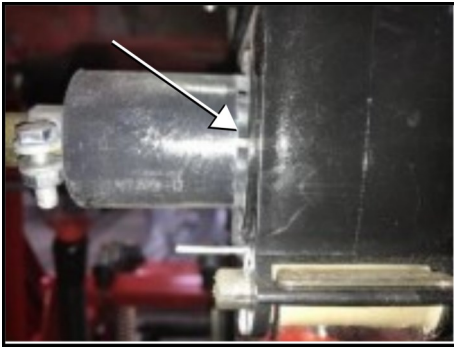
Step 16: Turn the handle to the outside.



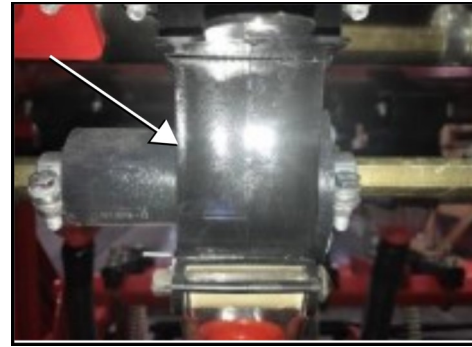
Operating Instructions

Before beginning work:

- Be sure all the seed cups completely close and open the same, so all cups are putting out the exact amount of seed. If they are not in sync, one cup will put out more than others.
- Ensure when completely closed, the seeding gears are not protruding from the outside the cup.
- Adjust the clamps to ensure all cups close and open completely and uniformly.



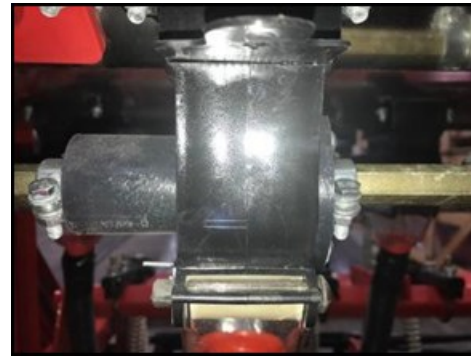
NOT FLUSH—GEARS PROTRUDING



FLUSH—GEARS NOT PROTRUDING

To adjust seed output:

The Seed cups on the DRL may come with either of two different style of seed cups or a combination of both. Typically the front Seed box section is equipped with a “LARGE SEED CUP and the rear section typically has the LEGUME SEED BOX.



The LARGE SEED front section is usually driven with an 11-26 Gear ratio, while the back LEGUME SEED section is being reduced to put out less with a 12-40 Gear Ratio.



Large seed cup box - front



Legume seed cup box - rear

Operating Instructions

Seeding/Fertilizing rate adjustment handle:

To adjust the fertilizer rate, you will need to adjust hand wheels (on each side of hopper). The seed/fertilize rate depends on the seed/fertilizer you want to plant, please refer to your seed/ fertilizer supplier's chart to get



Locking knob

the proper seed/fertilize rate.

Before adjusting the seed rate, return the rate on the Scale to zero by rotating the hand wheel, then check and make sure all seeding/fertilizing wheels are fully closed on all seeding/ fertilizing boxes. (SEE BEFORE BEGINNING section) If not, you need to loosen the clips on both sides of the seeding/fertilizing wheel and push the wheel into the box. Tighten the clips. When the seeding/fertilizing box is closed and the meter indicates "0". Adjust fertilizing rate by rotating the hand wheel. The meter has 8 numbers from 0-8, from zero to Maximum.

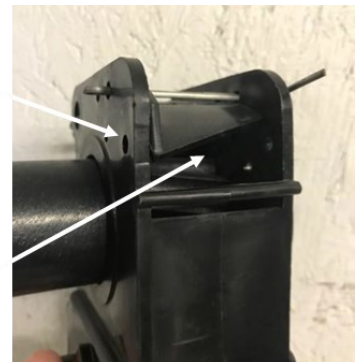


Important: Tighten locking nut on handle assembly before operating.

Weight, size, relative humidity, and moisture content can affect seeding rates. Users can adjust the position of the seed/fertilizer "TONGUE" and lock in different positions by moving the cotter pin to meet the different seeding/fertilizing size. The smaller the seed, the higher up the TONGUE should be positioned. For larger seed, the "TONGUE" should be opened more.

Positioning holes

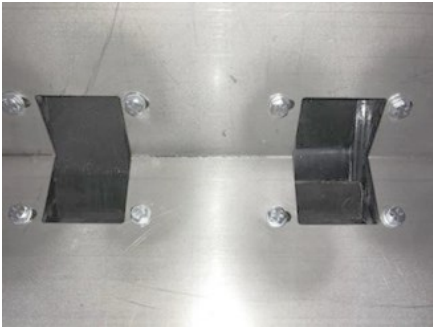
Tongue and positioning holes



Operating Instructions

Seed cup shutoff:

Depending on the crop being planted, it may be necessary to not disburse from all of the seed cups. This is easily done by simply sliding the “Seed shut off flap” in and out.



Closed

Open



Closed

Open

Seed depth - Rear Roller

The depth in which the application is done is controlled by adjusting the basket located near of the machine. Adjusting the “Sowing depth control device “ as follows:

Turning knob counter-clockwise will make the basket drop which in turn will raise the disc openers and lessen the depth of the application. Turning the knob clockwise would raise the basket which would lower the disc openers and make the application deeper.



The top link on the tractor should be properly adjusted to carry the machine level in an operating position. During operation, the tractor lift must be fully lowered to allow the machine to follow the contour of the ground.

The machine is totally ground driven so proceed with a speed that is most comfortable and safe for existing conditions. Be sure to stop forward motion before lifting machine off ground. This practice will stop rollers from “free spinning” and therefore eliminate the unwanted application when turning around.



Warning: Never backup with the implement on the ground! This will cause damage to the implement. Always lift the implement high enough to clear the ground before backing up.

Lubrication and Maintenance

Important: It is important to thoroughly clean the seeder after use. Failure to do so can cause irreparable damage to the seed cups and drive system. Grease and turn the Seed adjustment handle to ensure grease lubricates the threads.

There are a few ways to clean out the hoppers:

- Each hopper is equipped with a cleanout spout in the front of each hopper.
- The rear hopper is equipped with a quick release lever located under the center of the hopper. By pulling down the lever, all the hopper tongues will open and cause the seed/fertilizer to drop out of each of the seed cups.
- Each seed cup can be emptied individually by pulling the cotter pin on the side of the cup and dropping down the hopper tongue.

1 Hour Check all fasteners and hardware including set screws in sprockets and bearing collars and re-tighten as necessary.

8 Hours Grease bearings on roller and apply grease to torsion bar wheel mechanism.

As needed: Remove any crop residue, grasses, weeds, or debris wrapped around shaft discs or rollers. This can cause bearings to overheat and lead to premature failure.

Always: Protect the machine from weather. NEVER leave fertilizer in hopper. Do not leave seed in hopper for more than 24 hours. Remove all fertilizer and seeds from hopper. Thoroughly clean hoppers and lubricate all drive chains before storage.

Changing Discs

Important: When replacing the discs, it is extremely important to remember that one of the disc hubs has left hand threads and the other right hand threads. The threads can be stripped if removed improperly. Left side hub, turn Clockwise to loosen and turn counter-clockwise to tighten. Right side hub, turn counter-clockwise to loosen and clockwise to tighten.

Step 1: Remove the dust cap.

Step 2: Remove the external scraper dust cap.

Step 3: Remove hub nuts.

Step 4: Unscrew the hub from the disc support.

Step 5: Replace the discs and reassemble.



Important: When replacing the discs, it is extremely important to remember that the left disc hub has reverse (LH) threads. The right disc hub has normal (RH) threads. If turned incorrectly, they can strip.

Setting Application Rates

The most accurate way to set application rates is to drive a predetermined distance and physically catch the seeds dispensed. To do this, remove at least one drop hose and tie a plastic bag onto bottom of seed cup. Travel a determined distance and then weigh the seeds in the bag. Multiply the amount collected by the number of cups on your machine. Refer to the following example to properly calibrate your machine.

To determine area covered calculate the following:

(Disc spacing x number of discs converted to ft.) x distance traveled and then divide by the square feet in an acre.

10 disc with a 7.25" spacing = 72.50" (6.04 ft.) x 500 ft. traveled = 3,020 sq. ft. covered.

43,560 sq. ft. in acre/3,020 = 14.42% of acre covered.

If you collect 16 oz. (1 lb.) of seed from a single seed cup on the #5 setting after driving 500 ft.

(14.42% of an acre), you are putting out 69.35 lbs. per acre.

1 lb. (amount collected) x 10 seed cups = 10 lbs. total output by machine.

Distance traveled = 500 ft. (14.42% of acre)

$1 \times 10 / .1442 = 69.35$ lbs. per acre

NOTE: The tables and rate charts are guidelines only! They are designed to be an aid as a starting point. You must do your own calibration as many factors cause rates to change. Variations in seed/granular size, density, moisture, seed treatment, and the amount of machine overlap will affect the final application rate.

See next page for "Rate Charts".

Application Rate Charts



Large Seed Cup 11-26 Gear Ratio

Cup setting	1	2	3	4	5	6	7	8
Approximate Pounds per Acre								
Rye	-	72	95	118	148	178	-	-
Fescue	-	44	79	114	138	162	-	-
Wheat	-	105	146	187	227	267	-	-
Corn	-	76	155	234	290	346	-	-
Gran. Fertilizer	55	133	183	233	268	304	-	-

Small Seed Cup 12-40 Gear Ratio

Cup setting	1	2	3	4	5	6	7	8
Approximate Pounds per Acre								
Rye	-	25	38	51	64	75	-	-
Fescue	-	22	33	45	57	68	-	-
Wheat	-	-	-	-	-	-	-	-
Centipede	11	50	64	78	117	117	-	-
Gran. Fertilizer	-	-	-	-	-	-	-	-

Torque Specifications

Torque Specifications for Common Bolt Sizes															
Inches		Bolt Head Identification						Metric		Bolt Head Identification					
Bolt size (inches)	Thread pitch	Grade 2		Grade 5		Grade 8		Class 5.8		Class 8.8		Class 10.9			
		N.m	ft-lb	N.m	ft-lb	N.m	ft-lb	N.m	ft-lb	N.m	ft-lb	N.m	ft-lb		
1/4"	20	7	5	11	8	16	12	M5	0.08	4	3	6	4	9	7
1/4"	28	8	6	13	10	19	14	M6	1	6	4	10	7	15	11
5/16"	18	15	11	24	17	33	25	M8	1.25	16	12	25	18	36	27
5/16"	24	17	13	26	19	37	27	M8	1	17	13	26	19	38	28
3/8"	16	27	20	42	31	59	44	M10	1.5	31	23	48	35	71	52
3/8"	24	31	23	47	35	67	49	M10	1.25	33	24	51	38	75	55
7/16"	14	43	32	67	49	95	70	M10	1	35	26	53	39	78	58
7/16"	20	48	36	75	55	106	78	M12	1.75	54	40	84	62	123	91
1/2"	13	66	48	102	75	144	106	M12	1.5	56	41	87	64	128	94
1/2"	20	75	55	115	85	163	120	M12	1.25	59	44	90	66	133	98
9/16"	12	95	70	147	109	208	154	M14	2	84	62	133	98	195	144
9/16"	18	106	79	164	121	232	171	M14	1.5	94	69	142	105	209	154
5/8"	11	132	97	203	150	287	212	M16	2	131	97	206	152	302	223
5/8"	18	149	110	230	170	325	240	M16	1.5	141	104	218	161	320	236
3/4"	10	233	172	361	266	509	376	M18	2.5	181	133	295	218	421	310
3/4"	16	261	192	403	297	569	420	M18	2	196	145	311	229	443	327
7/8"	9	226	167	582	430	822	606	M18	1.5	203	150	327	241	465	343
7/8"	14	249	184	642	473	906	668	M20	2.5	256	189	415	306	592	437
1"	8	339	250	873	644	1232	909	M20	1.5	288	212	454	335	646	476
1"	12	371	273	955	704	1348	995	M22	2.5	344	254	567	418	807	595
1-1/8"	7	480	354	1077	794	1746	1288	M22	1.5	381	281	613	452	873	644
1-1/8"	12	539	397	1208	891	1958	1445	M24	3	444	327	714	526	1017	750
1-1/4"	7	677	500	1519	1120	2463	1817	M24	2	488	360	769	567	1095	808
1-1/4"	12	750	553	1682	1241	2728	2012	M27	3	656	484	1050	774	1496	1103
1-3/8"	6	888	655	1992	1469	3230	2382	M27	2	719	530	1119	825	1594	1176
1-3/8"	12	1011	746	2268	1673	3677	2712	M30	3.5	906	668	1420	1047	2033	1499
1-1/2"	6	1179	869	2643	1949	4286	3161	M30	2	1000	738	1600	1180	2250	1659
1-1/2"	12	1326	978	2974	2194	4823	3557	M36	4	1534	1131	2482	1830	3535	2607

Notes:

This chart is an approximate estimate of torque values.

Always tighten hardware to these values unless a different torque value or tightening procedure is listed for a specific application.

Fasteners must always be replaced with the same grade as specified in the manual.

Always use the proper tool for tightening hardware: SAE for SAE hardware and Metric for Metric hardware.

Make sure that fastener threads are clean and that you properly start thread engagement.

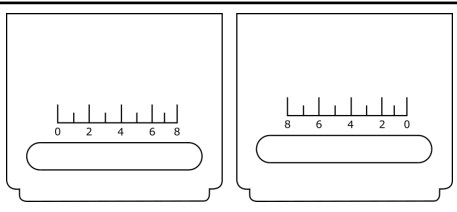
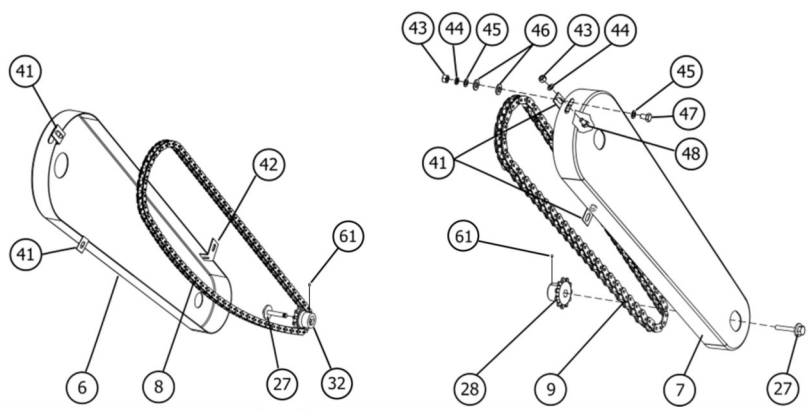
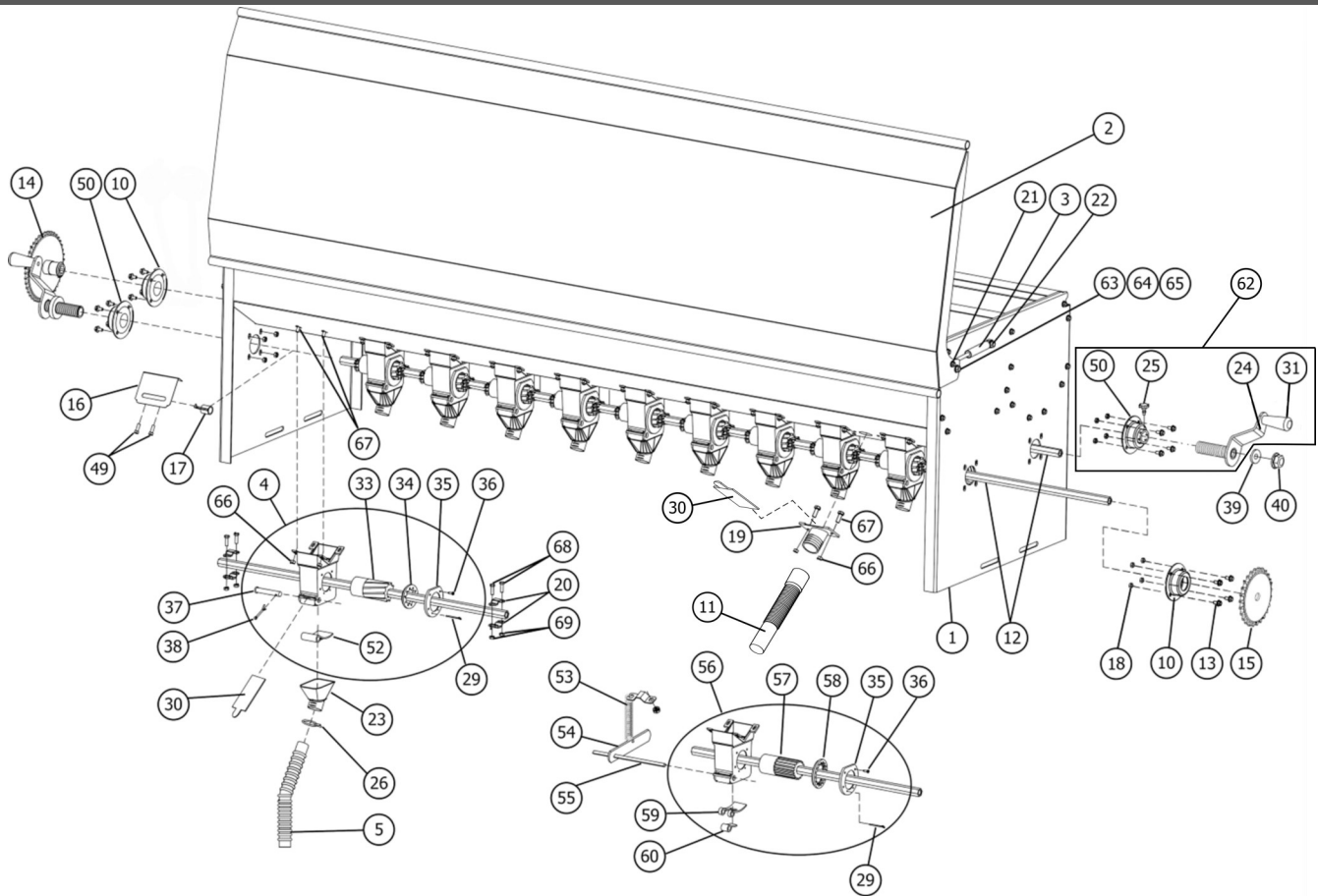


Crop Seeder DRL-048 & 072



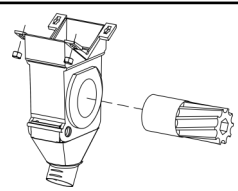
Parts Manual

Hopper Assembly

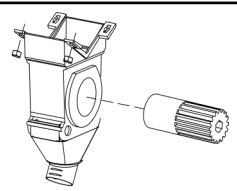


LH (rear)

RH (front)



Front cup box



Rear cup box

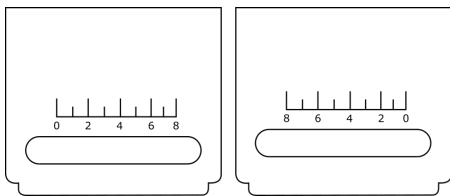
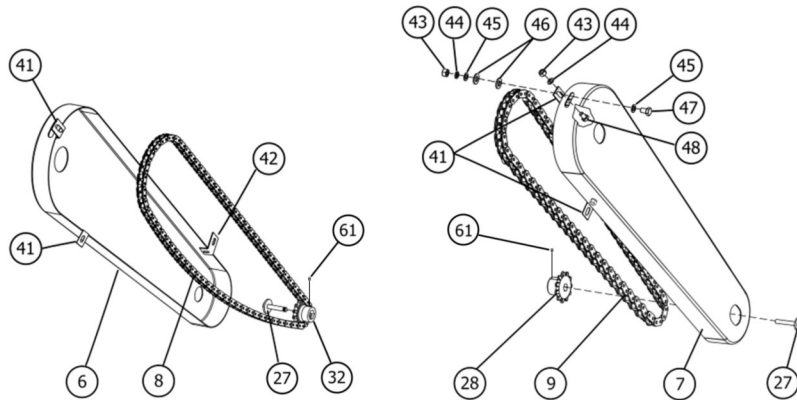
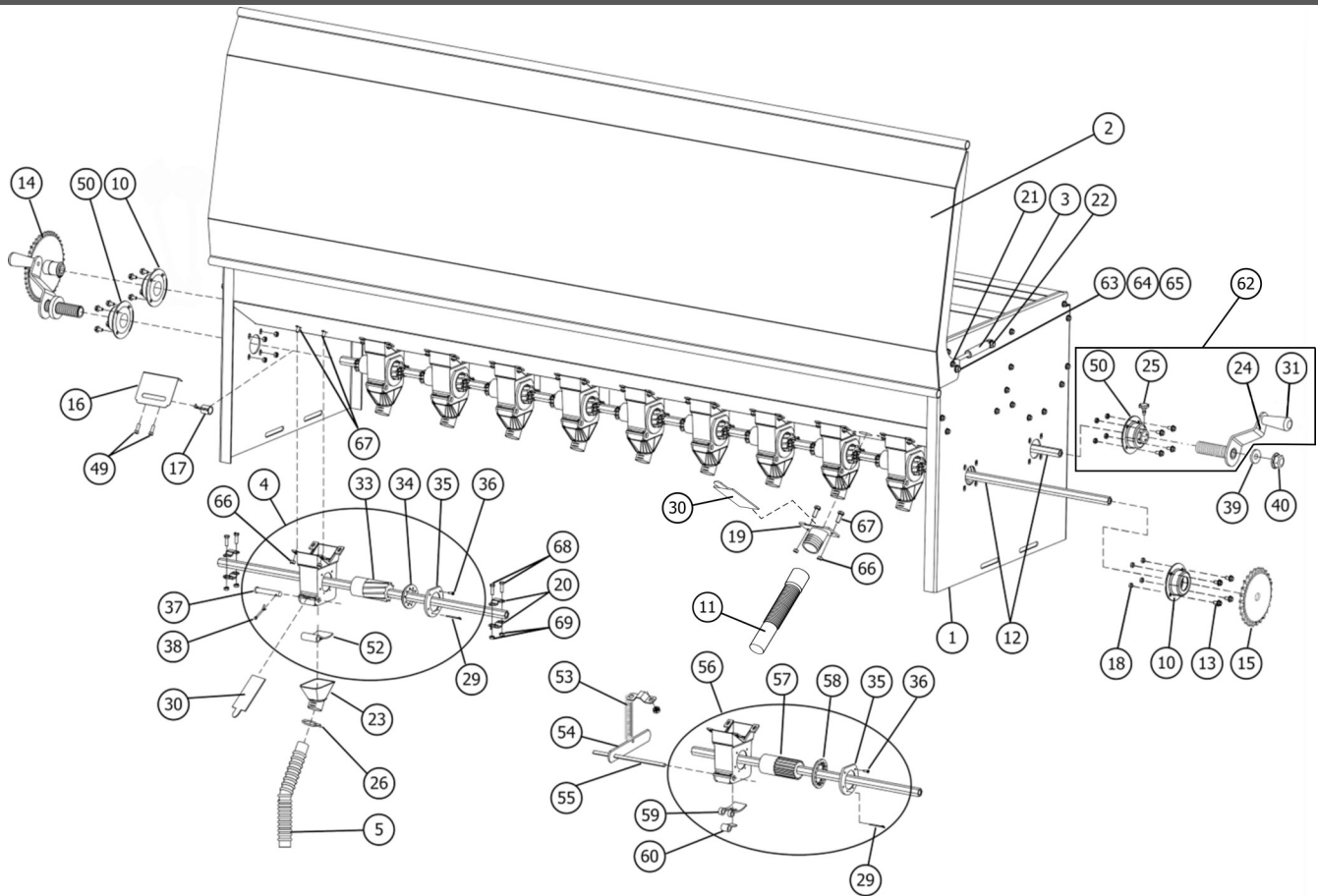
Note: The Rate adjustment plates are not the same. LH plate faces the rear of the machine. The RH plate faces the front of the machine.

Note: Front and rear seed cup boxes can be identified by examining the shafts. The front seed cup box has spiral splines while the rear has straight splines.

Hopper Assembly

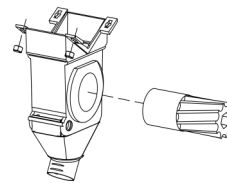
Item	Part #	Description	Qty.
1	DL1003-48	Hopper box complete; DRL-048	1
	DL1003-72	Hopper box complete; DRL-072	1
2	DL1001-48	Hopper lid; DRL-048	1
	DL1001-72	Hopper lid; DRL-072	1
3	DL5003	Lid piston	2
4	DL7001-L	Seed cup distribution box, large seed	-
	DL7001-S	Seed cup distribution box, small seed	-
5	DL3002	Fertilizer/seed tube - 533mm length (front seed cups)	-
	DL3001	Fertilizer/seed tube - 470mm length (rear seed cups)	-
6	DL10005	Right chain cover	1
7	DL10004	Left chain cover	1
8	DL3004B	Right Chain- Hopper- 12/40 Sprocket	1
9	DL3004A	Left Chain- Hopper- 11/26 Sprocket	1
10	DL1005	Flange assembly w/bearing	2
11	DL7008	Waste tube	-
12	DL7000-48	Hex seed box shaft; DRL-048	1
	DL7000-72	Hex seed box shaft; DRL-072	1
13	BM061012	Bolt M06x1.0x12	-
14	DL2003	Drive sprocket Z40	1
15	DL2006	Drive sprocket Z26	1
16	DL7004A	Rate adjustment face plate (front)	1
	DL7004B	Rate adjustment face plate (rear)	1
17	DL7005	Counter pointer	2
18	LN0610	Lock nut M06x1.0	-
19	DL1006	Cleanout spout	2
20	DL7002	Clamp assembly with hardware	84
21	BM061016	Bolt M06x1.0x16	-
22	BM0812535	Bolt M08x1.25x35	4
23	DL7006	Seed cup funnel	14-20
24	SA2005	Handle assembly	2
25	SA2005K	Locking knob	2
26	SA9005	Tube wire clamps	20
27	BM0812540	Bolt HH M08x1.25x40	2
28	DL3005A	Right side lower sprocket 8B 12T	1
29	CP3x70	Cotter pin - M3x70 (Distribution box)	14-20
30	DL7007	Waste/Seed/Fertilizer Shut Off Flap	14-20
31	DL7009	Spinner handle w/bolt and nut	2
32	DL5005B	Left side lower sprocket 10B 11T	1
33	SA4012	Seed box shaft, spiral spline (front seed box)	10
	SA4013	Seed box shaft, straight spline (rear seed box)	10

Hopper Assembly

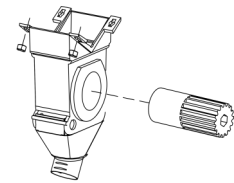


LH (rear)

RH (front)



Front cup box



Rear cup box

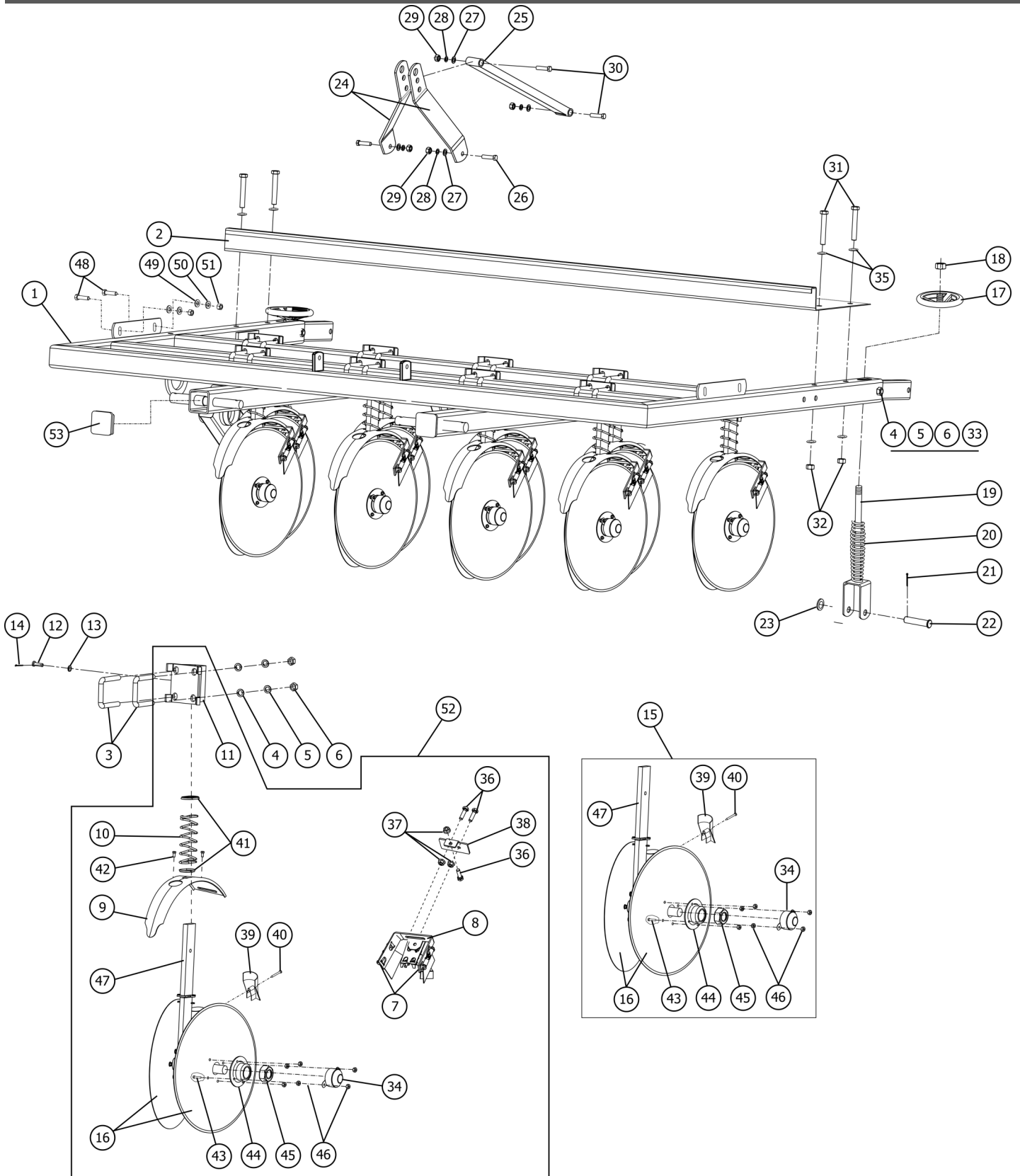
Note: The Rate adjustment plates are not the same. LH plate faces the rear of the machine. The RH plate faces the front of the machine.

Note: Front and rear seed cup boxes can be identified by examining the shafts. The front seed cup box has spiral splines while the rear has straight splines.

Hopper Assembly

Item	Part #	Description	Qty.
34	SA4014	Shaft guide, seed cup - spiral spline	-
35	SA4015	Shaft guide retainer, seed cup	-
36	SA4021	Sheet metal screw	-
37	SA4019	Clevis, composite M10x60	-
38	CP2.5x20	Cotter pin M2x22	-
39	SA8009	Plastic washer, adjustment handle	4
40	LN1420	Self locking nut M14-2.00	2
41	SA4016	Chain guard bracket, short (chain guard to hopper)	4
42	SA4017	Chain guard bracket, long (chain guard to rear frame)	2
43	LN1015	Nut self locking M10-1.50	6
44	LW10	Washer lock M10	4
45	FW10	Washer flat M10	4
46	SA4018	Washer, rubber 2mm x 10 mm x 25 mm	8
47	BM1015020	Bolt HH M10-1.50x20	4
48	BM1015015	Bolt HH M10-1.50x15	6
49	BM0812535	Bolt HH M08x1.25x35	4
50	SA4020	Lock collar, handle	2
51	DL7008	Waste tube	-
52	SA4022	Flap, seed cup	-
53	DL5007	Spring, clean out	-
54	DL5006	Handle, clean out	-
55	DL4006	Rod, clean out	-
56	DL7001-S	Seed cup distribution box, small seed	-
57	SA4013	Seed box shaft, straight spline	-
58	SA4029	Shaft guide, seed cup - straight spline	-
59	SA4030	Flap, outer	-
60	SA4031	Flap, inner	-
61	MSTSC0816	Set screw M8-1.25x16	2
62	DL2005	Handle complete	2
63	BM0812540	Bolt HH M08-1.25x40	2
64	FNM08125	Nut HH flange M08-1.25	2
65	NM08125	Nut HH M08-1.25	2
66	FBM061016	Bolt HH flange M06-1.0x16	-
67	FNM0610	Nut HH flange M06-1.0	-
68	BM061020	Bolt HH M06-1.0x20	-
69	NM0610	Nut HH M06-1.0	-

Frame Assembly

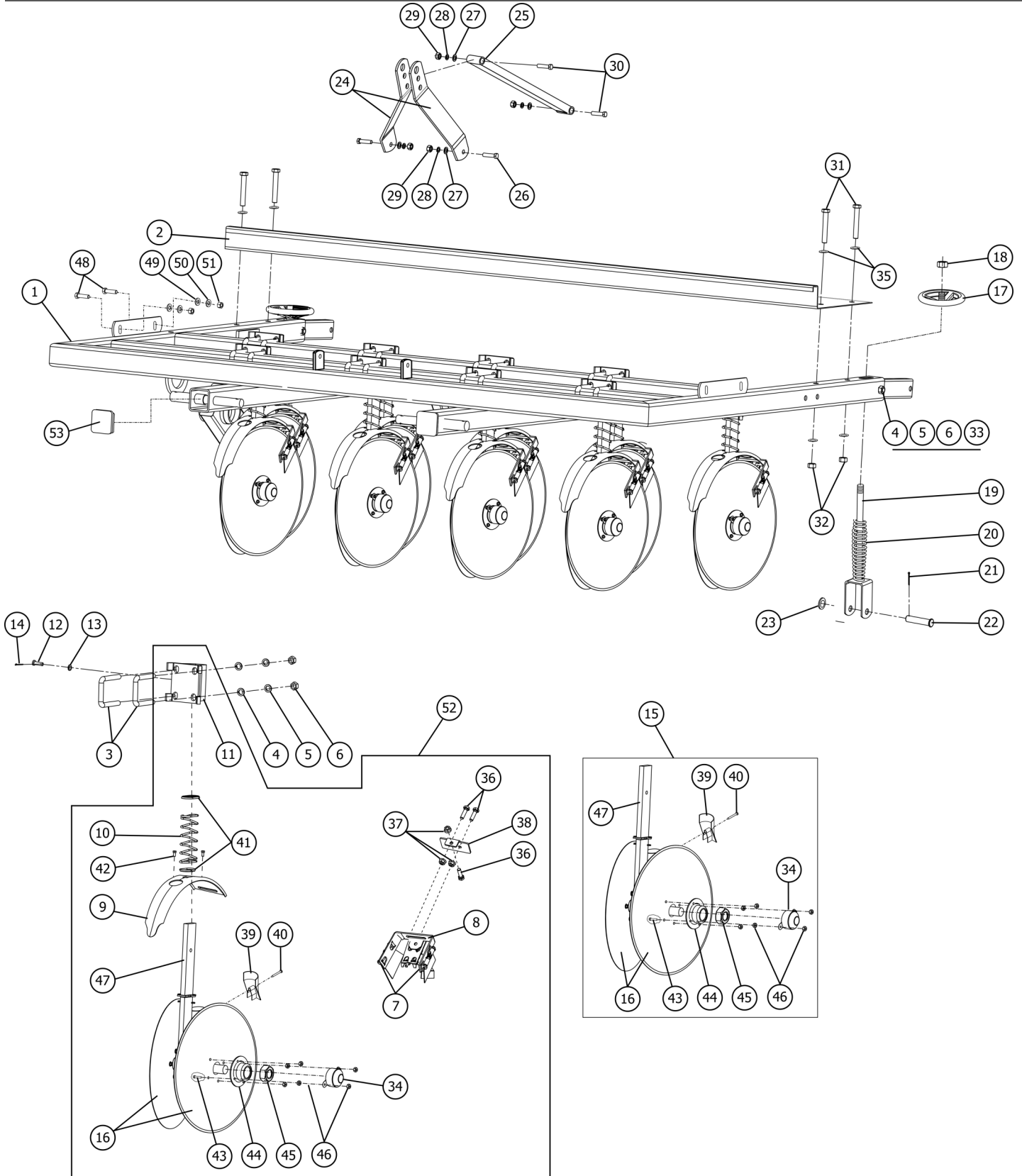


Important: When replacing the discs, it is extremely important to remember that the left disc hub has reverse (LH) threads. The right disc hub has normal (RH) threads. If turned incorrectly, they can strip.

Frame Assembly

Item	Part #	Description	Qty.
1	DL4001-48	Frame; DRL-048	1
	DL4001-72	Frame; DRL-072	1
2	DL10001-48	Step board; DRL-048	1
	DL10001-72	Step board; DRL-072	1
3	DL6002	U-bolt	10
4	FW12	Flat washer M12	-
5	LW12	Lock washer M12	-
6	NM12175	Nut M12 x 1.75	-
7	DL6006	Internal scraper	10
8	DL6007	External scraper	10
9	DL6016	Cloture fender	10
10	DL6017	Cloture spring	10
11	DL6010	Cloture mounting bracket	10
12	DL6011	Shoulder pin M8 x 35	20
13	LFW08	Large flat washer M08	20
14	CP2.5x20	Cotter pin M2.5 x 20	40
15	DL6008	Coulter disc assembly	10
16	DL6004	Disc (single)	10
17	DL8001	Roller downforce adjustment wheel	2
18	LNM1620	Self locking nut M16x2.0	2
19	DL8002	Roller downforce rod	2
20	DL8004	Roller downforce spring	2
21	CP3 x 35	Cotter pin M3 x 35	2
22	DL8009	Adjustment rod shoulder pin M16 x 70	2
23	FW16	Flat washer M16	2
24	DL4003	A-frame straps front	2
25	DL4004	A-frame rear support	1
26	BM182540	Bolt HH M18 x 2.5 x 40	2
27	FW18	Flat washer M18	-
28	LW18	Lock washer M18	-
29	NM1825	Nut HH M18 x 2.5	-
30	BM1825110	Bolt HH M18 x 2.50 x 110	2
31	BM101580	Bolt HH M10-1.5 x 80	4
32	NM1015	Nut HH M10-1.5	4
33	BM1217575	Bolt HH M12-1.75 x 75	-
34	DL6003	Cap	-
35	FW10	Flat washer M10	8
36	BM0812520	Bolt M8-1.25x20	-
37	FNM08125	Flanged nut M8-1.25	-

Frame Assembly

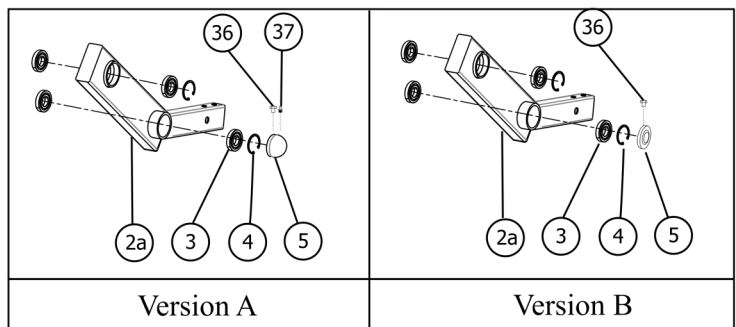
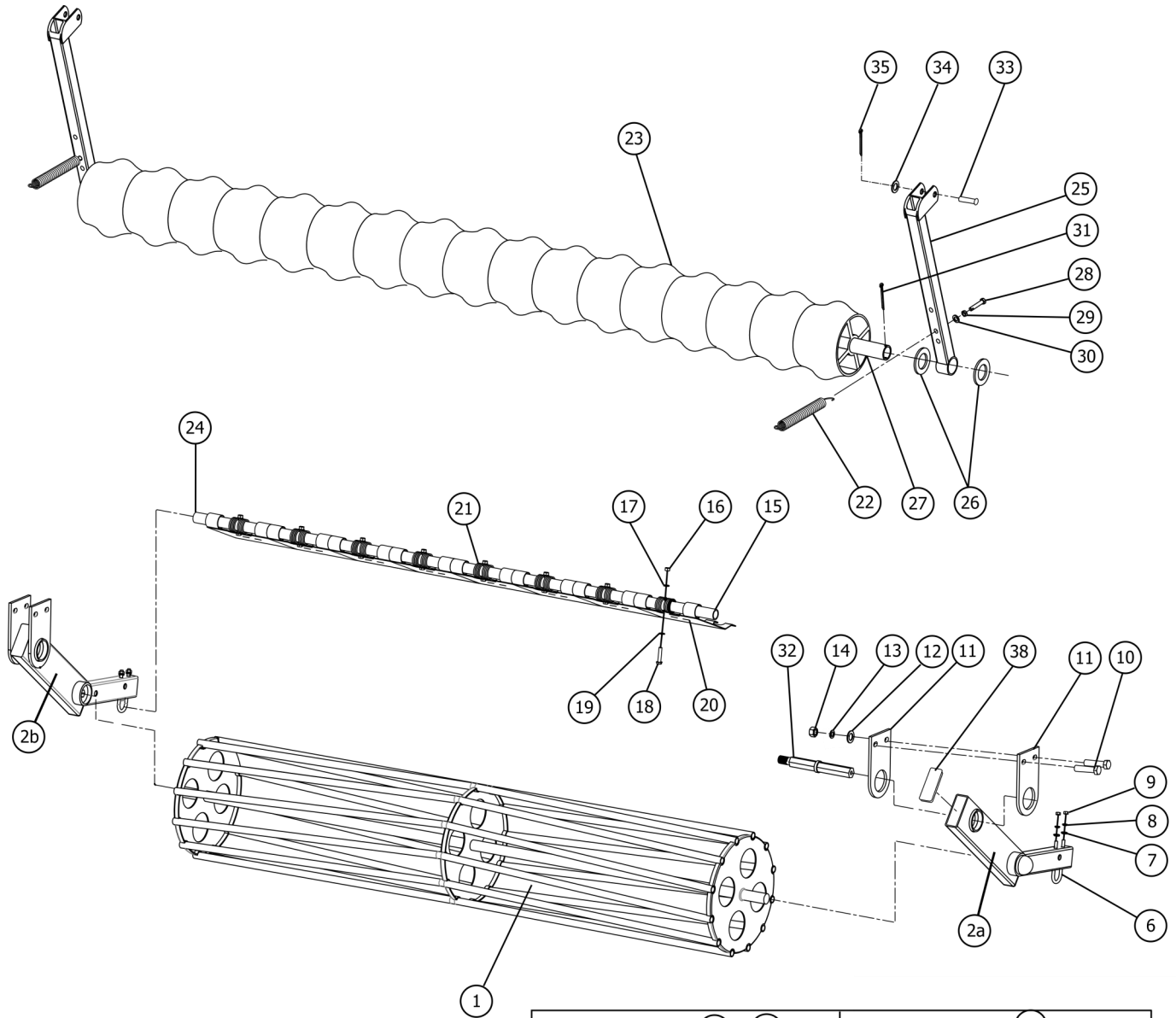


Important: When replacing the discs, it is extremely important to remember that the left disc hub has reverse (LH) threads. The right disc hub has normal (RH) threads. If turned incorrectly, they can strip.

Frame Assembly

Item	Part #	Description	Qty.
38	SA6011	Scraper mount bracket	10
39	SA4043	Deflector	-
40	SA4044	Sheet metal screw M4x40	-
41	SA4045	Spring retainer	-
42	BM0812516	Bolt HH M8-1.25x16	-
43	BM061020	Bolt HH M6-1.0x20	-
44	SA4046	Bearing Flange w/bearings	-
45	NM1620L	Nut M16-2.0 LH threads (LH stud only)	20
	NM1620	Nut M16-2.0 (RH stud only)	20
46	FNM0610	Flanged nut M6-1.0	-
47	SA4047	Disc support arm	-
48	BM101525	Bolt HH M1-1.5x25 (attach hopper to frame)	4
49	FW10	Washer flat M10 (attach hopper to frame)	4
50	LW10	Washer lock M10 (attach hopper to frame)	4
51	NM1015	Nut HH M10-1.5 (attach hopper to frame)	4
52	DL6001	Coulter complete	10
53	DLP001	Cap	2

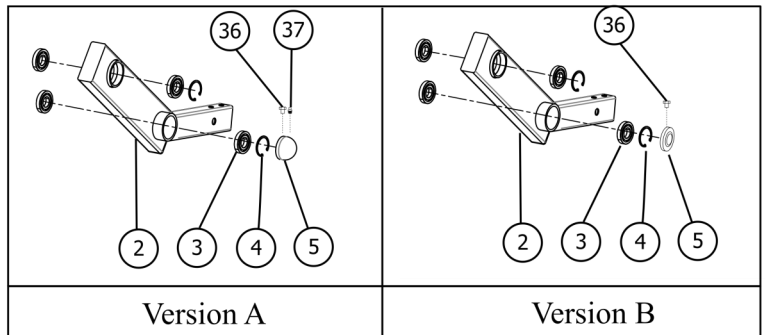
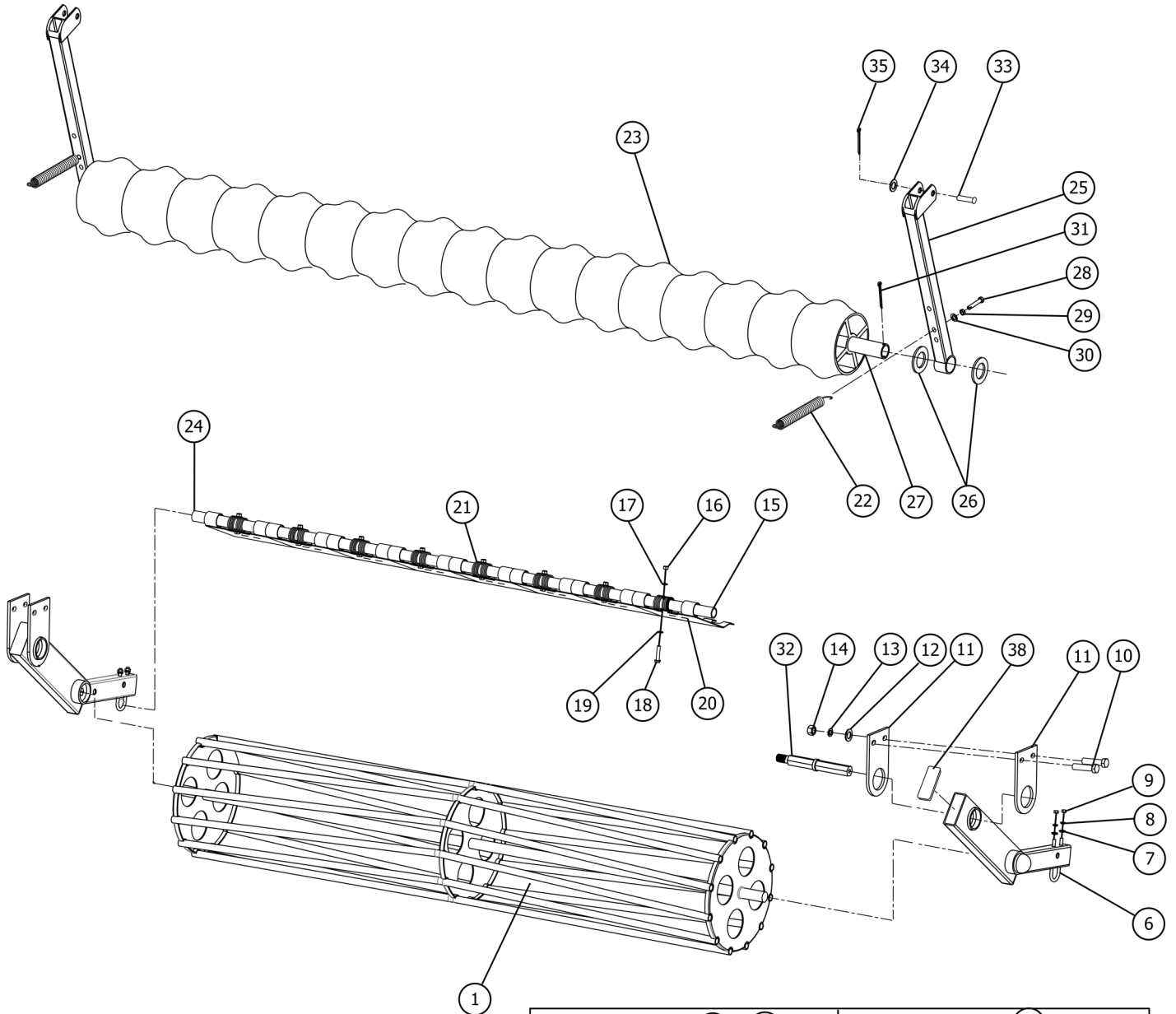
Roller Assembly



Roller Assembly

Item	Part #	Description	Qty.
1	DL9001-48	Drive roller; DRL-048	1
	DL9001-72	Drive roller; DRL-072	1
2a	DL8008L	Roller arm, LH (Does not include Downforce Assembly)	1
2b	DL8008R	Roller arm, RH (Does not include Downforce Assembly)	1
3	B60062RS	Bearing 6006 2RS	8
4	SRI-55	Snap ring, internal M55	4
5	DL10012A	Roller dust cap (plastic) - Version A	2
	DL10012B	Roller dust cap (metal) - Version B (does not require grease zerk)	2
6	DL11013	U-bolt M10 - 1.5 x 140	2
7	FW10	Flat washer M10	4
8	LW10	Lock washer M10	4
9	NM1015	Nut HH M10-1.5	4
10	BM12175110	Bolt HH M12-1.75 x 110	4
11	DL8003	Bracket roller arm	4
12	FW12	Flat washer M12	4
13	LW12	Lock washer M12	4
14	NM12175	Nut HH M12-1.75	4
15	DL9006-48	Scraperboard rod for DRL-048	1
	DL9006-72	Scraperboard rod for DRL-072	1
16	NM08125	Nut HH M8-1.25	-
17	LW08	Lock washer M8	-
18	BM0812550 Full Thread	Bolt HH M8-1.25 x 50	-
19	LFW08	Large flat washer M8	-
20	DL11012	Flap, 7.25" (DRL-048; 6 pcs / DRL-072; 1 pc)	-
	DL11012A	Flap, 8.25" (DRL-072; 7 pcs)	-
21	DL11009	Flap spring	-
22	DL11001	Downforce springs, cultipacker	2
23	DL9002-48	Cultipacker complete, DRL-048	1
	DL9002-72	Cultipacker complete, DRL-072	1
	DL9003	Cultipacker wheel sections	12-17
25	DL4002	Packer arm, DRL-048	2
26	FW24	Flat washer M24	4
27	DL9007-48	Cultipacker rod, DRL-048	1
	DL9007-72	Cultipacker rod, DRL-072	1
28	BM0812550DE	Bolt M8-1.25x50 w/drilled end	2
29	LNLM08125	Self-locking nut M8-1.5	2
30	FW08	Flat washer M8	2
31	CP5x50	Cotter pin, M5x50	2
32	DL8005	Short shaft (w/FW16, LW16, NM1620, CP3x40)	2
33	SPN16x70	Shoulder pin M16 x 70	2
34	LFW12	Large flat washer M12	2

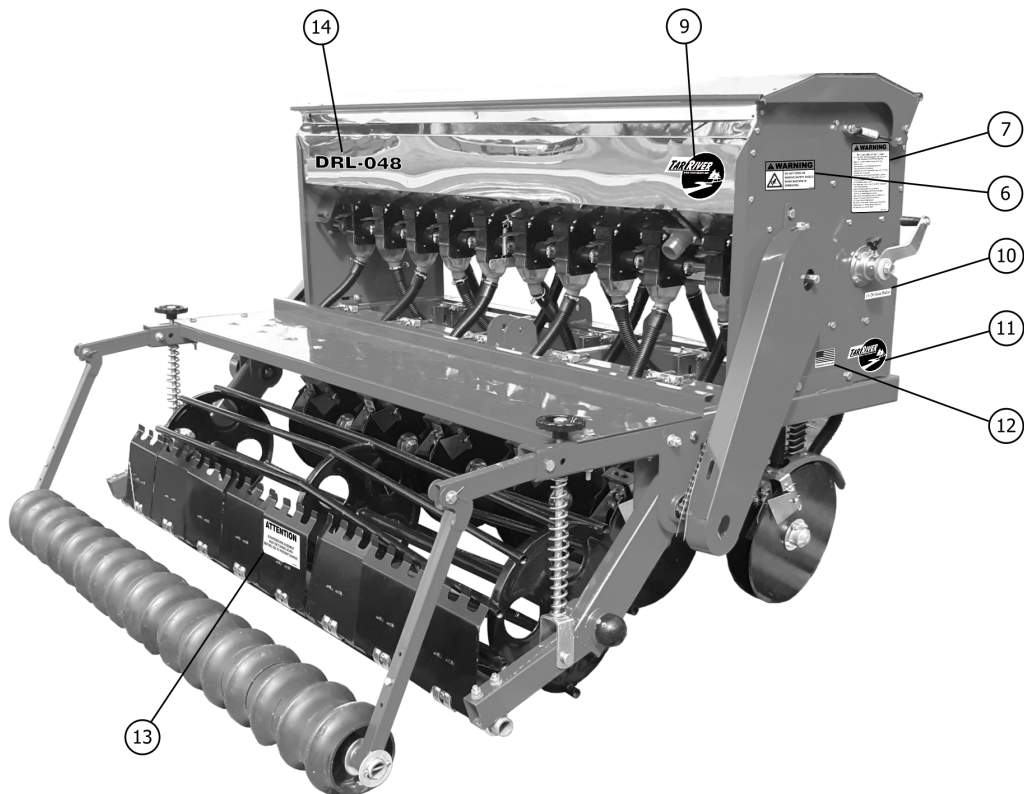
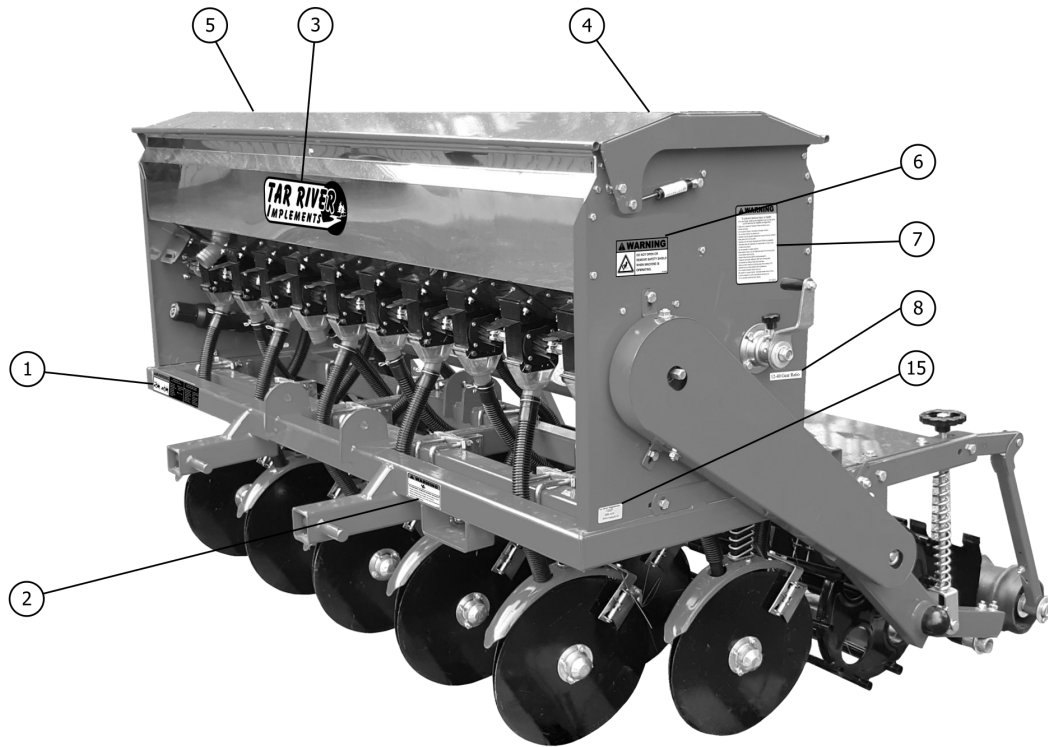
Roller Assembly



Roller Assembly

Item	Part #	Description	Qty.
35	CP2.5x20	Cotter pin - M12 x 20	2
36	BM081010	Bolt HH M8-1.00 x 10	2
37	EP309-0102	Grease fitting M6-1.00	2
38	SA4050	Cap, roller arm	2

Decals



Decals

Item	Part #	Description	Qty.
1	5SBD1005	Decal Warning, "Falling off tractor"	1
2	RT1005	Decal Warning, "To prevent serious injury or death"	1
3	D1016	Decal Logo, "Tar River Implements" large oblong	1
4	D1004	Decal Warning, "Chemicals" (<i>Note: see LH inside of hopper lid</i>)	1
5	D1224	Decal "Spreading Chart" (<i>Note: see RH inside of hopper lid</i>)	1
6	RT1004E	Decal Warning, "Do not open"	2
7	RT1004D	Decal Warning, "To prevent serious injury or death"	2
8	-	Decal Gear Ratio, "12-40"	1
9	RT1016	Decal Logo, "Tar River Implements"	1
10	-	Decal Gear Ratio, "11-26"	1
11	RT1013	Decal Logo, "Tar River Mfg."	1
12	D1309	Decal "Assembled in the USA"	1
13	D1305	Decal Attention, "Scraperboard assembly"	1
14	DRL048	Decal Model #, DRL-048	1
	DRL072	Decal Model #, DRL-072	1
15	-	Decal Serial Tag	1

Decals

WARNING

Falling off tractor can result in serious injury or death.

To avoid serious injury or death, do not go underneath implement.

- Tractor must be equipped with ROPS (or ROPS CAB) and seat belt. Keep foldable ROPS systems in locked up position at all times.
- Buckle up! Keep seat belt securely fastened.
- Allow no riders.
- Never go underneath raised equipment which can drop from equipment or tractor 3-point hitch, hydraulic leak down, hydraulic system failures, movement of control levers, or mechanical linkage failures. Service work does not require going underneath implement. Read manual instructions.

1 - 5SBD1005 - Qty. 1

WARNING

TO PREVENT SERIOUS INJURY OR DEATH

- Keep hands and body out of hitch area when attaching mower to tractor.
- Keep body clear of crush point between tractor and mower.

2 - D1005 - Qty. 1



3 - D1016 - Qty. 1

WARNING

Chemicals may cause eye, skin, or breathing problems. Wear face mask, gloves and goggles. Read and follow safety instructions on the chemical supplier's label.

4 - SBD1004 - Qty. 1

The most accurate way to set application rates is to drive a predetermined distance and actually catch the seeds dispensed. To do this, remove at least one drop hose and tie a plastic bag onto bottom of seed cup. Travel a determined distance and then weigh the seeds in the bag. Multiply the amount collected by the number of cups on your machine. Refer to the following example to properly calibrate your machine.

To determine area covered calculate the following:
 (Disc spacing X # of discs Converted to Ft.) X Distance traveled and then divide by the square feet in an acre.

10 Discs with a 7.25" spacing = 72.50" (6.04 ft.) X 500 Ft. traveled = 3,020 Sq Ft. covered. 43,560 sq. ft in acre / 3,020 = 14.42% of Acre Covered.

If you collect 16 oz (1 lb.) of seed from a single seedcup on # 5 setting after driving a 500 ft (14.42% of an acre), you are putting out 69.35 lbs per acre.

1 lb (Amount collect) X 10 # Seed Cups = 10 lbs Total output by machine.
 Distance Travelled = 500 ft. (14.42% of Acre)
 1 x 10 / .1442 = 69.35 lbs per acre

Large seed cup

11- 26 Gear Ratio

Cup Setting	1	2	3	4	5	6	7	8
Rye	---	72	95	118	148	178	---	---
Fescue	---	44	79	114	138	162	---	---
Wheat	---	105	146	187	227	267	---	---
Corn	---	76	155	234	290	346	---	---
Gran. Fertilizer	55	133	183	233	268	304	---	---

12- 40 Gear Ratio

Cup Setting	1	2	3	4	5	6	7	8
Rye	---	25	38	51	64	75	---	---
Fescue	---	22	33	45	57	68	---	---
Wheat	---	---	---	---	---	---	---	---
Centipede	11	50	64	78	98	117	---	---
Gran. Fertilizer	---	---	---	---	---	---	---	---

Note: The tables and rate charts for guidelines only. They are designed to be an aid as a starting point. You must do your own calibration as many factors cause rates to change. Variations in seed/granular size, density, moisture, seed treatment, and the amount of machine overlap will affect the final application rate.



D-1224

5 - D1224 - Qty. 1

WARNING

DO NOT OPEN OR REMOVE SAFETY SHIELD WHEN MACHINE IS OPERATING.

6 - RT1004E - Qty. 2

WARNING

To prevent serious injury or death: si no lee ingles, pida ayuda a alguien que si lo lee para que le traduzca las medidas de seguridad

- Read and understand Operator's Manual before using. Review annually.
- Do not permit riders on the tractor including children.
- Do not allow children to operate unit.
- Operate only with guards installed and in good working condition.
- Keep away from moving parts.
- Operate only with tractor equipped with ROPS and seatbelts.
- Use extra care with operating on rough terrain or when rocks or debris are present.
- Do not operate in a raised position.
- Stop engine, lower unit, set brake and wait for all moving parts to stop before dismounting.
- Support tiller securely before working beneath it.
- Transport with clean reflectors, SMV and working lights as required by Federal, State and local laws.
- Keep yourself, others and clothing away from rotating PTO.
- Operate only at a safe distance from bystanders.
- Do not stand between tractor and unit.
- Be careful on uneven terrain. Decrease speed when turning.
- Locate underground utility lines before operating unit.
- Do not exceed a safe transport speed.

7 - RT1004D - Qty. 2

12-40 Gear Ratio

8 - Qty. 1

11-26 Gear Ratio

10 - QTY. 1



ASSEMBLED IN THE USA

12 - D1309 - Qty. 1

ATTENTION

SCRAPERBOARD ASSEMBLY MUST BE TURNED DOWN BEFORE USE TO PREVENT DAMAGE

D-1305

13 - D1305 - Qty. 1



9 - RT1016 - Qty. 1



11 - RT1013 - Qty. 1

DRL-048
DRL-072

14 - Qty. 1

Tar River Implement
 Rocky Mount, NC 27804
 www.TARRIVERMFG.COM
 MADE IN USA
 MODEL# DRL-XXX
 SERIAL # XXXXXXX-XX

15 - Qty. 1

Warranty

LIMITED WARRANTY

Tar River Equipment warrants to the original purchaser of any new piece of machinery from Tar River Equipment, purchased from an authorized Tar River Equipment dealer, that the equipment be free from defects in material and workmanship for a period of one (1) year for non-commercial, state, and municipalities' use, ninety (90) days for commercial use from date of retail sale. Warranty for rental purposes is thirty (30) days. The obligation of Tar River Equipment to the purchaser under this warranty is limited to the repair or replacement of defective parts.

Replacement or repair parts installed in the equipment covered by this limited warranty are warranted for ninety (90) days from the date of purchase of such part or to the expiration of the applicable new equipment warranty period, whichever occurs later. Warranted parts shall be provided at no cost to the user at an authorized Tar River Equipment dealer during regular working hours. Tar River Equipment reserves the right to inspect any equipment or parts, which are claimed to have been defective in material or workmanship.

This limited warranty does not apply to and excludes wear items such as shear pins, tires, tubes knives, blades or other wear items. Oil or grease is not covered by this warranty.

All obligations of Tar River Equipment under this limited warranty shall be terminated if:

- Proper service is not performed on the machine.

- The machine is modified or altered in any way.

- The machine is being used or has been used for purposes other than those for which the machine was intended.

DISCLAIMER OF IMPLIED WARRANTIES & CONSEQUENTIAL DAMAGES

Tar River Equipment obligation under this limited warranty, to the extent allowed by law, is in lieu of all warranties, implied or expressed, including implied warranties of merchantability and fitness for a particular purpose and any liability for incidental and consequential damages with respect to the sale or use of the items warranted. Such incidental and consequential damages shall include but not be limited to: transportation charges other than normal freight charges; cost of installation other than cost approved by Tar River Equipment; duty; taxes; charges for normal service or adjustment; loss of crops or any other loss of income; rental of substitute equipment, expenses due to loss, damage, detention or delay in the delivery.