

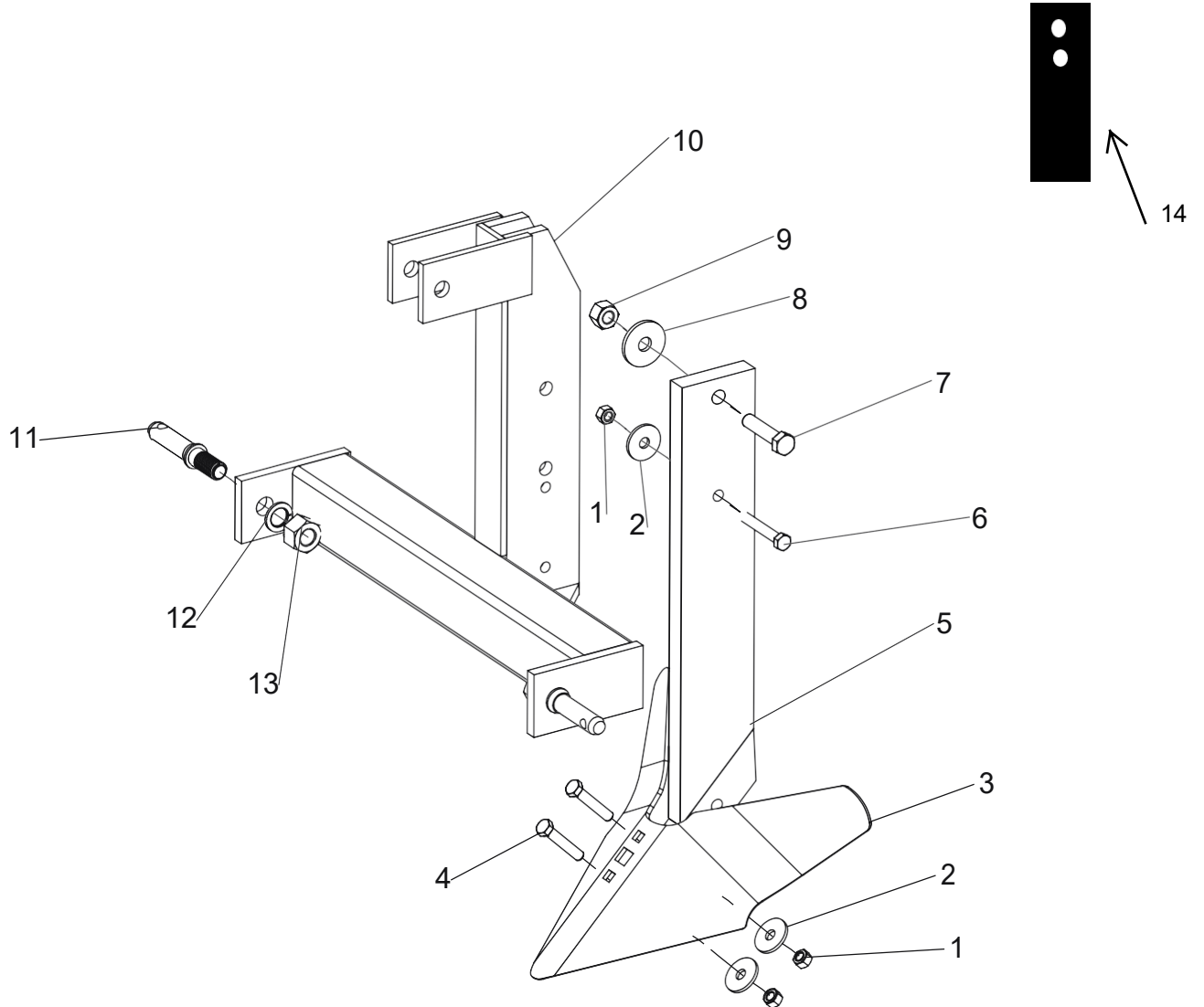


BSM-100

MIDDLE BUSTER



MIDDLE BUSTER



Position	Part Number	...	Description	Qty.
1	LNM12175		Self-locking Nut- M12 x 1.75	3
2	FW12		Washer- M12	3
3	BSM99013		Furrower	1
4	CBM1217575		Carriage Bolt- M12 x 1.75 x 75	2
5	BSM99015		Shank	1
6	BM1217565		Bolt M12 x 1.75 x 65	1
7	BM162070		Bolt- M16 x 2.0 x 70	1
8	FW16		Washer- M16	1
9	LNM162		Self-locking Nut- M16 x 2.0	1
10	BSM99010		Main frame	1
11	BSM99011		Hitch pin	2
12	LW22		Lock washer- M22	2
13	NM2225		Nut- M22 x 2.5	2
14	BSM101		Middle Buster Tip	1