



Pull Type No-Till Drill

SAYA-PT505



Operator's Manual

Rev. 02/18/26

Page left blank intentionally

TO THE DEALER:

Assembly and proper installation of this product is the responsibility of the Tar River dealer. Read manual instructions and safety rules. Make sure all items on the Dealer's Pre-Delivery and Delivery Check Lists in the Owner's/Operator's Manual are completed before releasing equipment to the owner.

TO THE OWNER:

Read this manual before operating your Tar River equipment. The information presented will prepare you to do a better and safer job. Keep this manual handy for ready reference. Require all operators to read this manual carefully and become acquainted with all the adjustment and operating procedures before attempting to operate. Replacement manuals can be obtained from your selling dealer. The equipment you have purchased has been carefully engineered and manufactured to provide dependable and satisfactory use. Like all mechanical products, it will require cleaning and upkeep. Lubricate the machine as specified. Observe all safety information in this manual and safety decals on the equipment. For service, your authorized Tar River dealer has trained mechanics, genuine Tar River service parts, and the necessary tools and equipment to handle all your needs. Use only genuine Tar River service parts. Substitute parts will void the warranty and may not meet standards required for safe and satisfactory operation.

Record your machine model and serial number in the space provide below. Your dealer will need this information to give you prompt, efficient service.

Model Number: _____

Serial Number: _____

Date Purchased: _____

TO THE DEALER: Part 1 of 2

Assembly and proper installation of this product is the responsibility of the Beaver Valley Supply Dealer. Read manual instructions and safety rules. Make sure all items on the Dealer's Pre-Delivery List and Owners Check List in the Owner's/Operator's Manual are completed before releasing equipment to the owner.



NOTE: The machine must be inspected thoroughly by the dealer prior to delivery of machine to owner. Place a check mark in the box beside each item checked. Contact Beaver Valley Supply Recourses Equipment of any damages, issues or shortages to the machine.

Pre-Delivery Checklist - Dealer

- Gearbox oil level
- Check all fluids, hydraulic, gear oil, etc.
- Grease fittings properly lubricated
- Guards, shields, attachments securely fastened
- All hardware tightened
- Condition and tension of V-belts (if applicable)
- Blades properly installed, blade hardware tightened to proper torque specifications
- PTO attached to the machine (if applicable)
- All decals are clean, legible and in proper location
- Operator's Manual on machine

Model #: _____ **Serial #:** _____

Inspected by (Initials): _____ **Date:** _____

TO THE DEALER: Part 2 of 2

Dealer is to review the following items to the owner. Place a check mark in the box beside each item reviewed.

Checklist - Owner

- Correct attachment of machine to tractor
- Safe operation of the machine
- Importance of regular lubrication, maintenance and inspection
- Troubleshooting
- Replacing broken or worn parts (importance of using only OEM parts)
- Servicing the machine
- Storage
- Warranty
- Encourage owner to read and understand the Operator’s Manual before operating the machine
- Encourage owner to fill out the “Warranty Registration”, online warranty@br-equipment.com

Purchase Date: _____ **Delivery Date:** _____

Model #: _____ **Serial #:** _____

Dealer Signature _____ **Date:** _____

Customer Signature _____ **Date:** _____

TO THE OWNER:

Read this manual before operating your Beaver Valley Supply equipment. The information presented will prepare you to do a better and safer job. Keep this manual handy for ready reference. Require all operators to read this manual carefully and become acquainted with all the adjustment and operating procedures before attempting to operate. Replacement manuals can be obtained from your selling dealer. The equipment you have purchased has been carefully engineered and manufactured to provide dependable and satisfactory use. Like all mechanical products, it will require cleaning and upkeep. Lubricate the machine as specified. Observe all safety information in this manual and safety decals on the equipment. For service, your authorized Beaver Valley Supply dealer has trained mechanics, genuine Beaver Valley Supply service parts, and the necessary tools and equipment to handle all your needs. Use only genuine Beaver Valley Supply service parts. Substitute parts will void the warranty and may not meet standards required for safe and satisfactory operation.

Table of Contents

Introduction	7
Technical Specifications	7
Safety	8
Safety Signal Words	8
General Safety Guidelines	9
Safety Decal Care	9
Before Operation	10
During Operation	11
Highway And Transport Operations	12-13
Operating Instructions.....	14-17
Lubrication and Maintenance	18
Setting Application Rates.....	19
Application Rate Chart.....	20
Torque Specifications	21
Parts Breakdown	23-45
Warranty	46

Introduction

Thank you for purchasing your SAYA-PT505 Pull Type No-Till Drill.

The SAYA-PT505 is the perfect seeder for your food plots or seeding. The SAYA-PT505 is equipped with a *Pull Type* hitch for RTV's or smaller tractors. The electrical actuator makes it simple to transfer from working to transport position by lifting or lowering the machine.

The SAYA-PT505 comes with 7 ground cutting coulters and double disc openers. Heavy spring loaded press wheels ensure excellent seed/ground contact for superb germination.

Technical Specifications

7.5" Spacing

Spring-Loaded Coulter discs

Spring-Loaded Double Disc Opener with Cast Iron Hubs

Cast Iron Swept-back Disc carriers

Disc Scrapers

Divided Stainless Steel Hopper

Standard Seed/Fertilizer seed cups on front

Front Hopper Capacity: 4.00 Cu. Ft.

Rear Hopper Capacity: 3.00 Cu. Ft.

Press Wheels Standard

Model	SAYA-PT505
Working Width	55"
Working Depth	3/4"-2"
Min. HP Required	18
Front Cups/Rear Cups	7
Spacing	7.5"
Double Disc Openers	7 Sets
Weight	1,532 lbs.

Important Safety Information

Safety

It is important that you read the entire manual and to become familiar with this product before you begin using it. This product is designed for certain applications only. The manufacturer cannot be responsible for issues arising from modification. We strongly recommend this product not be modified and /or used for any application other than that for which it is designed. If you have any questions relative to a particular application, DO NOT use the product until you have first contacted us to determine if it can or should be performed on the product.

Read and understand this manual and all safety signs before operating and maintaining . Review the safety instructions and precautions annually.

Safety Signal Words

TAKE NOTE! This safety alert symbol found though out this manual is used to call you attention to instructions involving you personal safety and the safety of others. Failure to follow these instructions can result in injury or death.



**This symbol means:
Attention!
Become alert!
Your safety is involved!**

Note the use of the signal words, DANGER, WARNING and CAUTION with the safety messages. The appropriate signal word for each has been selected using the following guidelines:



DANGER: Indicates an imminently hazardous situation that, if not avoided, will result in death or serious injury. This signal word is to be limited to the most extreme situations typically for machine components which, for functional purposes, cannot be guarded.



WARNING: Indicates a potentially hazardous situation that, if not avoided, could result in death or serious injury, and includes hazards that are exposed when guards are removed. It may also be used to alert against unsafe practices.



CAUTION: Indicates a potentially hazardous situation that, if not avoided, may result in minor or moderate injury. It may also be used to alert against unsafe practices.

Important Safety Information

General Safety Guidelines

Safety of the operator is one of the main concerns in designing and developing a new piece of equipment. Designers and manufacturers build in as many safety features as possible. However, every year many accidents occur which could have been avoided by a few seconds of thought and a more careful approach to handling equipment. You, the operator, can avoid many accidents by observing the following precautions in this section. To avoid personal injury, study the following precautions and insist those working with you, or for you, follow them.

Replace any DANGER, WARNING, CAUTION or instruction safety decal that is not readable or is missing. Location of such decals are indicated in this manual. Do not attempt to operate this equipment under the influence of drugs or alcohol.

Review the safety instructions with all users annually.

This equipment is dangerous to children and persons unfamiliar with its operation. The operator should be a responsible adult familiar with farm machinery and trained in this equipment's operations. **Do not allow persons to operate or assemble this machine until they have read this manual and have developed a thorough understanding of the safety precautions and of how it works.**

To prevent injury of death, use a tractor equipped with a Roll Over Protection System (ROPS). Do not paint over, remove or deface any signs or warning decals on your equipment. Observe all safety signs and practice the instructions on them.

Never exceed the limits of a piece of machinery. If its ability to do a job, or to do so safely, is in question - **Don't try it!**



Safety Decal Care

- Keep safety signs clean and legible at all times.
- Replace safety signs that are missing or have become illegible.
- Replaced parts that displayed a safety sign should also display the current safety sign
- Safety signs are available from your Distributor or Dealer Parts Department or the factory.

Important Safety Information

How to install Safety Signs:

- Be sure that the installation area is clean and dry.
- Decide on the exact position before you remove the backing paper.
- Remove the smallest portion of the split backing paper.
- Align the decal over the specified area and carefully press the small portion with the exposed sticky backing in place.
- Slowly peel back the remaining paper and carefully smooth the remaining portion of the decal in place.
- Small air pockets can be pierced with a pin and smoothed out using the piece of decal backing paper.



Before Operation

- Carefully study and understand this manual.
- Do not wear loose-fitting clothing, which may catch in moving parts.
- Always wear protective clothing and substantial shoes.
- Assure that all tires are inflated evenly.
- Give the machine a visual inspection for any loose bolts, worn parts or cracked welds, and make necessary repairs. Follow the maintenance safety instructions included with this manual.
- Be sure that there are no tools lying on or in the equipment.
- Do not use the machine until you are sure that the area is clear, especially of children and animals.
- Don't hurry the learning process or take the machine for granted. Ease into it and become familiar with your new equipment.
- Practice operation of your equipment and its attachments. Completely familiarize yourself and other operators with its operation before using.
- Use a tractor equipped with a Roll Over Protection System (ROPS) and fasten your seat belt prior to starting engine.
- The manufacturer does not recommend usage of tractor with ROPS removed.
- Move tractor wheels to the widest recommended settings to increase stability.
- Securely attach to towing unit. Use a high strength, appropriately sized hitch pin with a mechanical retainer and attach safety chain.
- Do not allow anyone to stand between the tongue or hitch and the towing vehicle when backing up to the equipment.
- Do not use the machine until you are sure that the area is clear, especially of children and animals.

Important Safety Information



During Operation

- Children should not be allowed on the product.
- Clear the area of small children and bystanders before moving the machine.
- If using a towing unit, securely attach machine by using a hardened 3/4" pin, a metal retainer, and safety chains if required. Shift towing unit to a lower gear before going down steep downgrades, thus using the engine as a retarding force. Keep towing vehicle in gear at all times. Slow down for corners and rough terrain.
- Make sure you are in compliance with all local and state regulations regarding transporting equipment on public roads and highways. Lights and slow moving signs must be clean and visible by overtaking or oncoming traffic when machine is transported.
- Beware of bystanders, **particularly children!** Always look around to make sure that it is safe to start the engine of the towing vehicle or move the machine. This is particularly important with higher noise levels and quiet cabs, as you may not hear people shouting.
- **NO PASSENGERS ALLOWED!** Do not carry passengers anywhere on, or in, the tractor or equipment, except as required for operation.
- Keep hands and clothing clear of moving parts.
- Do not clean, lubricate or adjust your equipment while it is moving.
- When halting operation, even periodically, set the tractor or towing vehicle brakes, disengage the PTO, shut off the engine and **remove the ignition key.**
- Be especially observant of the operating area and terrain. Watch for holes, rocks or hidden hazards. Always inspect the area prior to operation.
- **DO NOT** operate near the edge of drop-offs or banks.
- **DO NOT** operate on steep slopes as overturns may result.
- Operate up and down (not across) intermediate slopes. Avoid sudden starts and stops.



WARNING: Never backup with the machine on the ground! This will cause damage to the machine. Always lift the machine high enough to clear the ground before backing up.

Important Safety Information



Highway and Transport Operations

- Adopt safe driving practices.
- Keep the brake pedals latched together at all times. **Never use independent braking with machine in tow as loss of control and/or upset of machine can result.**
- Always drive at a safe speed relative to local conditions and ensure that your speed is low enough for an emergency stop to be safe and secure. Keep speed at a minimum.
- Reduce speed prior to turns to avoid the risk of overturning.
- Avoid sudden uphill turns on steep slopes.
- Always keep the tractor or towing vehicle in gear to provide engine braking when going downhill. Do not coast.
- Do not drink and drive!
- Comply with state and local laws governing highway safety and movement of farm machinery on public roads.
- Use approved accessory lighting flags and necessary warning devices to protect operators of other vehicles on the highway during daylight and nighttime transport. Various safety lights and devices are available from your dealer.
- The use of flashing amber lights is acceptable in most localities. However, some localities prohibit their use. Local laws should be checked for all highway and marking requirements.
- When driving the tractor and equipment on the road or highway under 40 kph (20 mph) at night or during the day, use the amber warning lights and a slow moving vehicle (SMV) identification emblem.
- Plan your route to avoid heavy traffic.
- Be a safe and courteous driver. Always yield to oncoming traffic in all situations, including narrow bridges, intersections, etc.
- Be observant of bridge loading ratings. Do not cross bridges rated at lower than the gross weight at which you are operating.
- Watch for obstructions overhead and to the side while transporting.
- Always operate in a position to provide maximum visibility at all times. Make allowances for increased length and weight of the equipment when making turns, stopping the machine, etc.
- Pick the most level route when transporting across fields. Avoid the edges of ditches or gullies and steep hillsides.
- Be extra careful when working in inclines.

Important Safety Information



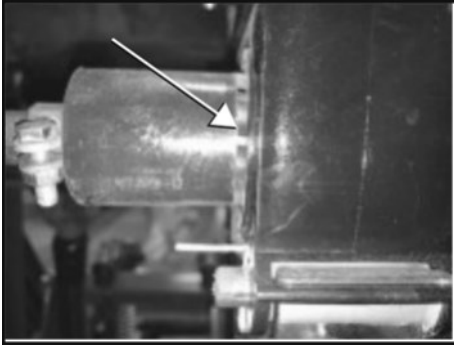
Highway and Transport Operations

- Maneuver the tractor or towing vehicle at safe speeds.
- Avoid overhead wires or other obstacles. Contact with overhead lines could cause serious injury or death.
- Avoid loose fill, rocks and holes, they can be dangerous for equipment operation or movement.
- Allow for machine length when making turns,
- Operate the towing vehicle from the operator's seat only.
- Never stand alongside of machine with engine running or attempt to start engine and/or operate machine while standing alongside of machine.
- Never leave running equipment attachments unattended.
- As a precaution, always recheck the hardware on equipment following every 100 hours of operation. Correct all problems. Follow the maintenance safety procedures.

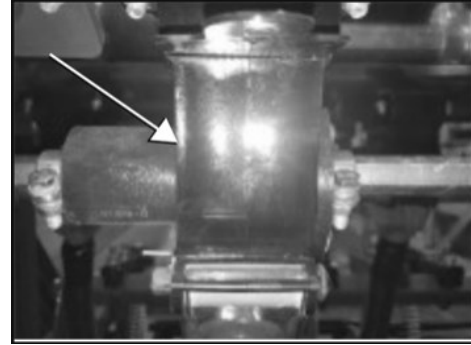
Operating Instructions

Before beginning work:

- Be sure all the seed cups completely close and open the same, so all cups are putting out the exact amount of seed. If they are not in sync, one cup will put out more than others.
- Ensure when completely closed, the seeding gears are not protruding from the outside the cup.
- Adjust the clamps to ensure all cups close and open completely and uniformly.



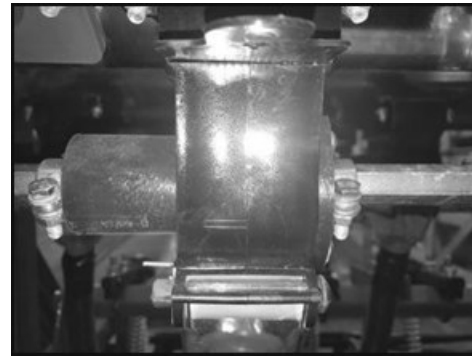
NOT FLUSH—GEARS PROTRUDING



FLUSH—GEARS NOT PROTRUDING

To adjust seed output:

The Seed cups on the SAYA may come with either of two different style of seed cups or a combination of both. Typically the front Seed box section is equipped with a LARGE SEED CUP and the rear section typically has the LEGUME SEED BOX.



The LARGE SEED front section is usually driven with an 11-26 Gear ratio, while the back LEGUME SEED section is being reduced to put out less with a 12-40 Gear Ratio.



Large seed cup box - front

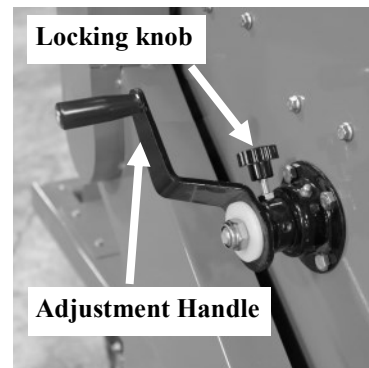


Legume seed cup box - rear

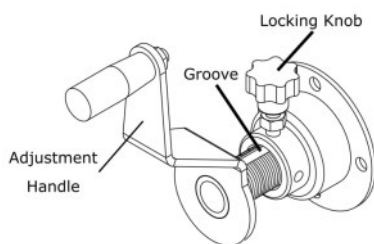
Operating Instructions

Seeding/Fertilizing rate adjustment handle:

To adjust the seed/fertilizer rate, loosen the Locking Knob before attempting to adjust the feed rate. Note that the Locking Knob sits in a groove on the Adjustment Handle. Loosen the Locking Knob to the point where it clears the threads of the Adjustment Handle. When tightening the Locking Knob, be sure it sits in the groove or the threads can be damaged. See the Decal located on the machine near the Adjustment Handle for more information. The seed/fertilize rate depends on the seed/fertilizer you want to plant, please refer to your seed/fertilizer supplier's chart to get the proper seed/fertilize rate.



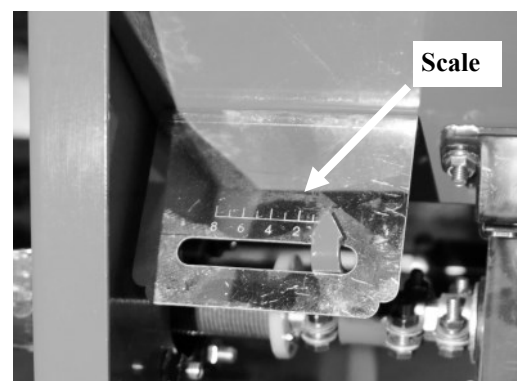
Important: Tighten Locking Knob on Adjustment Handle before operating.



Important!

- When tightening the Locking Knob, make sure it is seated in the groove on the Adjustment Handle.
- Do not tighten the Locking Knob on the threaded portion of the Adjustment Handle!

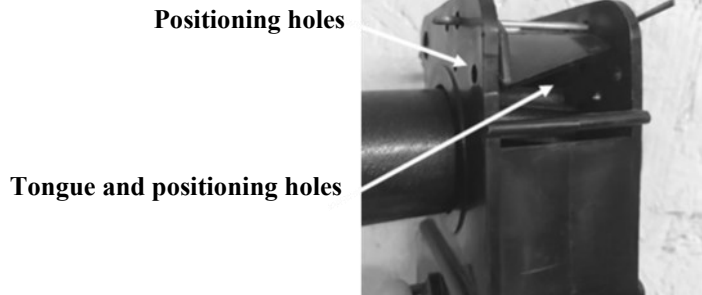
D1316



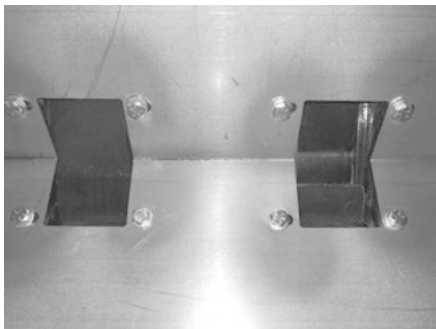
Before adjusting the seed rate, return the rate on the Scale to zero by cranking the Adjustment Handle, then check and make sure all seeding/fertilizing wheels are fully closed on all seeding/ fertilizing boxes. (SEE BEFORE BEGINNING section) If not, you need to loosen the clips on both sides of the seeding/fertilizing wheel and push the wheel into the box. Tighten the clips. When the seeding/fertilizing box is closed and the meter indicates “0”. Adjust fertilizing rate by cranking the Adjustment Handle. The meter has 8 numbers from 0-8, from zero to Maximum.

Operating Instructions

Weight, size, relative humidity, and moisture content can affect seeding rates. Users can adjust the position of the seed/fertilizer “TONGUE” and lock in different positions by moving the cotter pin to meet the different seeding/fertilizing size. The smaller the seed, the higher up the “TONGUE” should be positioned. For larger seed, the “TONGUE” should be opened more.

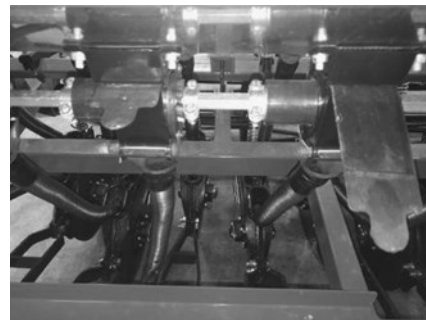


Seed cup shutoff:



Closed

Open



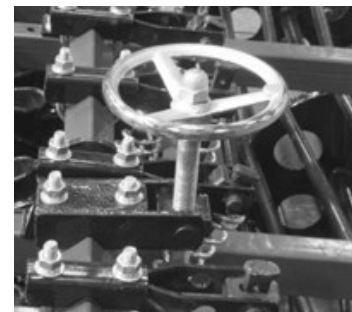
Closed

Open

Depending on the crop being planted, it may be necessary to not disburse from all of the seed cups. This is easily done by simply sliding the “Seed shut off flap” in and out.

Seed depth - Torsion Bar Wheel

Turning the Torsion Bar Wheel counter-clockwise will increase spring tension on the individual discs to apply additional pressure on the seed wheels, allowing deeper ground penetration.

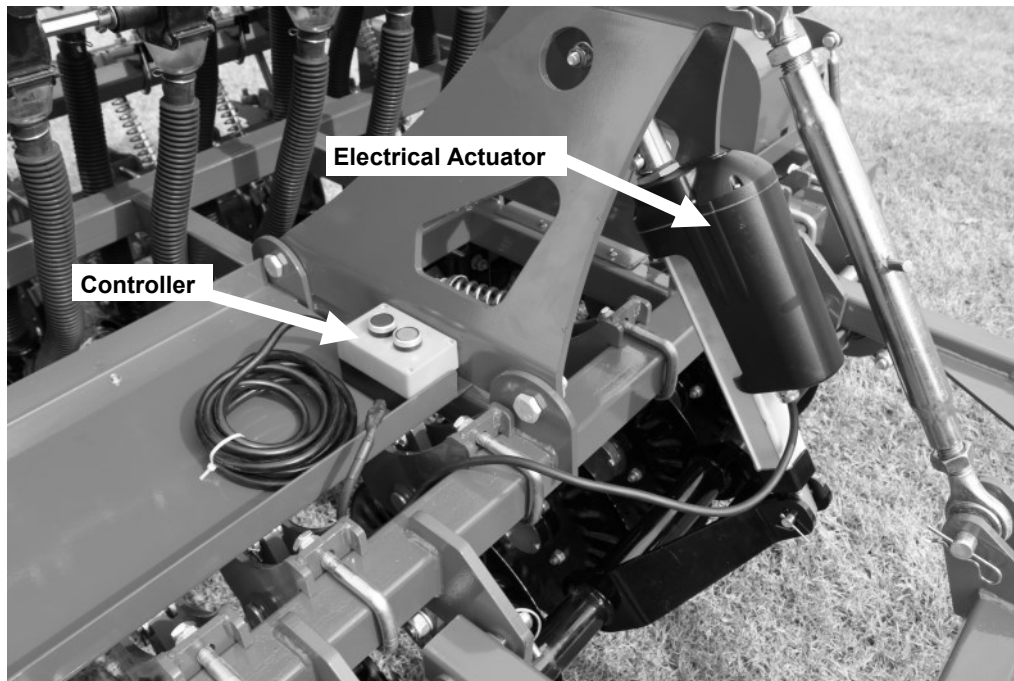


Operating Instructions

Electrical Actuator:

Attach the Controller to the tractor's 12V system. The Electrical Actuator allows the machine to transfer from working to transport position by simply pressing a button.

- **To raise the machine for transport:** Press and Hold the “Green” button on the controller until the machine stops. Note: Always transport the machine in the raised position to prevent damage to the discs.
- **To lower the machine for work:** Press and Hold the “Red” button on the controller until the discs come in contact with the ground.



Lubrication and Maintenance

Important: It is important to thoroughly clean the seeder after use. Failure to do so can cause irreparable damage to the seed cups and drive system. Grease and turn the Seed adjustment handle to ensure grease lubricates the threads.

There are a few ways to clean out the hoppers:

- Each hopper is equipped with a cleanout spout in the front of each hopper.
- The rear hopper is equipped with a quick release lever located under the center of the hopper. By pulling down the will open and cause the seed/fertilizer to drop out of each of the seed cups.
- Each seed cup can be emptied individually by pulling the cotter pin on the side of the cup and dropping down the hopper tongue.

1 Hour Check all fasteners and hardware including set screws in sprockets and bearing collars and re-tighten as necessary.

8 Hours Grease bearings on roller and apply grease to torsion bar wheel mechanism.

As needed: Remove any crop residue, grasses, weeds, or debris wrapped around shaft discs or rollers. This can cause bearings to overheat and lead to premature failure.

Always: Protect the machine from weather. NEVER leave fertilizer in hopper. Do not leave seed in hopper for more than 24 hours. Remove all fertilizer and seeds from hopper. Thoroughly clean hoppers and lubricate all drive chains before storage.

Setting Application Rates

The most accurate way to set application rates is to drive a predetermined distance and physically catch the seeds dispensed. To do this, remove at least one drop hose and tie a plastic bag onto bottom of seed cup. Travel a determined distance and then weigh the seeds in the bag. Multiply the amount collected by the number of cups on your machine. Refer to the following example to properly calibrate your machine.

To determine area covered calculate the following:

Disc spacing x number of discs (7 or 10), (convert to ft.) x distance traveled / by the sq. ft. in an acre.
 Ex. 10 discs with a 7.5" spacing = 75" (6.25 ft.) x 100 ft. traveled = 625 sq. ft. covered.
 $625 / 43,560 \text{ sq. ft. in acre} = .0143$ (1.43% of acre covered.)

If you collect 1 oz. of seed from a single seed cup on the #3 setting after driving 100 ft. (1.43% of an acre), you are putting out 43.70 lbs. per acre.

1 oz. (amount collected) x number of seed cups (7 or 10)
 Ex. 10 seed cups = 10 oz. total output by machine. Distance traveled = 100 ft. (1.43% of acre)
 $1 \text{ oz} / 16 \text{ oz (16 oz in 1 lb.)} = .0625 / .0143 = 4.37 \times 10 \text{ disc} = 43.70 \text{ lbs. per acre}$

NOTE: The tables and rate charts are guidelines only! They are designed to be an aid as a starting point. You must do your own calibration as many factors cause rates to change. Variations in seed/ granular size, density, moisture, seed treatment, and the amount of machine overlap will affect the final application rate.

See next page for "Application Rate Charts".



Application Rate Charts

LARGE SEED CUP 11-26 Gear Ratio

Cup Setting	1/2	1	2	3	4	5
Chufa				40	50	
Oats				65		125
Wheat				60	90	120
Lawn Mixtures					100	130
Fescue					114	138
Rye			72			
Pelletized Lime		50				
Shut off every other seed cup						
Sunflower 15" row				22	32	
Soybeans 15" row			50			
Shut off every other 2 seed cups						
Corn 22.5" row				20	35	

Approximate Pounds Per Acre

25.5 rotations of the drive roller = 100 Feet

SMALL SEED CUP 12-40 Gear Ratio

Cup Setting	1/2	1	2	3	4	5
Clover/Brassica/Rape	6					
Sorghum/Millet		15		30		
Alfalfa			20			
Buckwheat				50		
Timothy Grass		(1.5 = 10)	15			
Kentucky Blue Grass				30	40	
Radish		10				
Turnips		11				
Rye		7				
Chicory		5				
Alfalfa/Chicory(Food Plot Mix)		10.5				

Approximate Pounds Per Acre

25.5 rotations of the drive roller = 100 Feet

Torque Specifications

Torque Specifications for Common Bolt Sizes															
Inches		Bolt Head Identification						Metric		Bolt Head Identification					
										5.8		8.8		10.9	
Bolt size (inches)	Thread pitch	Grade 2		Grade 5		Grade 8		Class 5.8		Class 8.8		Class 10.9			
		N.m	ft-lb	N.m	ft-lb	N.m	ft-lb	N.m	ft-lb	N.m	ft-lb	N.m	ft-lb		
1/4"	20	7	5	11	8	16	12	M5	0.08	4	3	6	4	9	7
1/4"	28	8	6	13	10	19	14	M6	1	6	4	10	7	15	11
5/16"	18	15	11	24	17	33	25	M8	1.25	16	12	25	18	36	27
5/16"	24	17	13	26	19	37	27	M8	1	17	13	26	19	38	28
3/8"	16	27	20	42	31	59	44	M10	1.5	31	23	48	35	71	52
3/8"	24	31	23	47	35	67	49	M10	1.25	33	24	51	38	75	55
7/16"	14	43	32	67	49	95	70	M10	1	35	26	53	39	78	58
7/16"	20	48	36	75	55	106	78	M12	1.75	54	40	84	62	123	91
1/2"	13	66	48	102	75	144	106	M12	1.5	56	41	87	64	128	94
1/2"	20	75	55	115	85	163	120	M12	1.25	59	44	90	66	133	98
9/16"	12	95	70	147	109	208	154	M14	2	84	62	133	98	195	144
9/16"	18	106	79	164	121	232	171	M14	1.5	94	69	142	105	209	154
5/8"	11	132	97	203	150	287	212	M16	2	131	97	206	152	302	223
5/8"	18	149	110	230	170	325	240	M16	1.5	141	104	218	161	320	236
3/4"	10	233	172	361	266	509	376	M18	2.5	181	133	295	218	421	310
3/4"	16	261	192	403	297	569	420	M18	2	196	145	311	229	443	327
7/8"	9	226	167	582	430	822	606	M18	1.5	203	150	327	241	465	343
7/8"	14	249	184	642	473	906	668	M20	2.5	256	189	415	306	592	437
1"	8	339	250	873	644	1232	909	M20	1.5	288	212	454	335	646	476
1"	12	371	273	955	704	1348	995	M22	2.5	344	254	567	418	807	595
1-1/8"	7	480	354	1077	794	1746	1288	M22	1.5	381	281	613	452	873	644
1-1/8"	12	539	397	1208	891	1958	1445	M24	3	444	327	714	526	1017	750
1-1/4"	7	677	500	1519	1120	2463	1817	M24	2	488	360	769	567	1095	808
1-1/4"	12	750	553	1682	1241	2728	2012	M27	3	656	484	1050	774	1496	1103
1-3/8"	6	888	655	1992	1469	3230	2382	M27	2	719	530	1119	825	1594	1176
1-3/8"	12	1011	746	2268	1673	3677	2712	M30	3.5	906	668	1420	1047	2033	1499
1-1/2"	6	1179	869	2643	1949	4286	3161	M30	2	1000	738	1600	1180	2250	1659
1-1/2"	12	1326	978	2974	2194	4823	3557	M36	4	1534	1131	2482	1830	3535	2607

Notes:

This chart is an approximate estimate of torque values.

Always tighten hardware to these values unless a different torque value or tightening procedure is listed for a specific application.

Fasteners must always be replaced with the same grade as specified in the manual.

Always use the proper tool for tightening hardware: SAE for SAE hardware and Metric for Metric hardware.

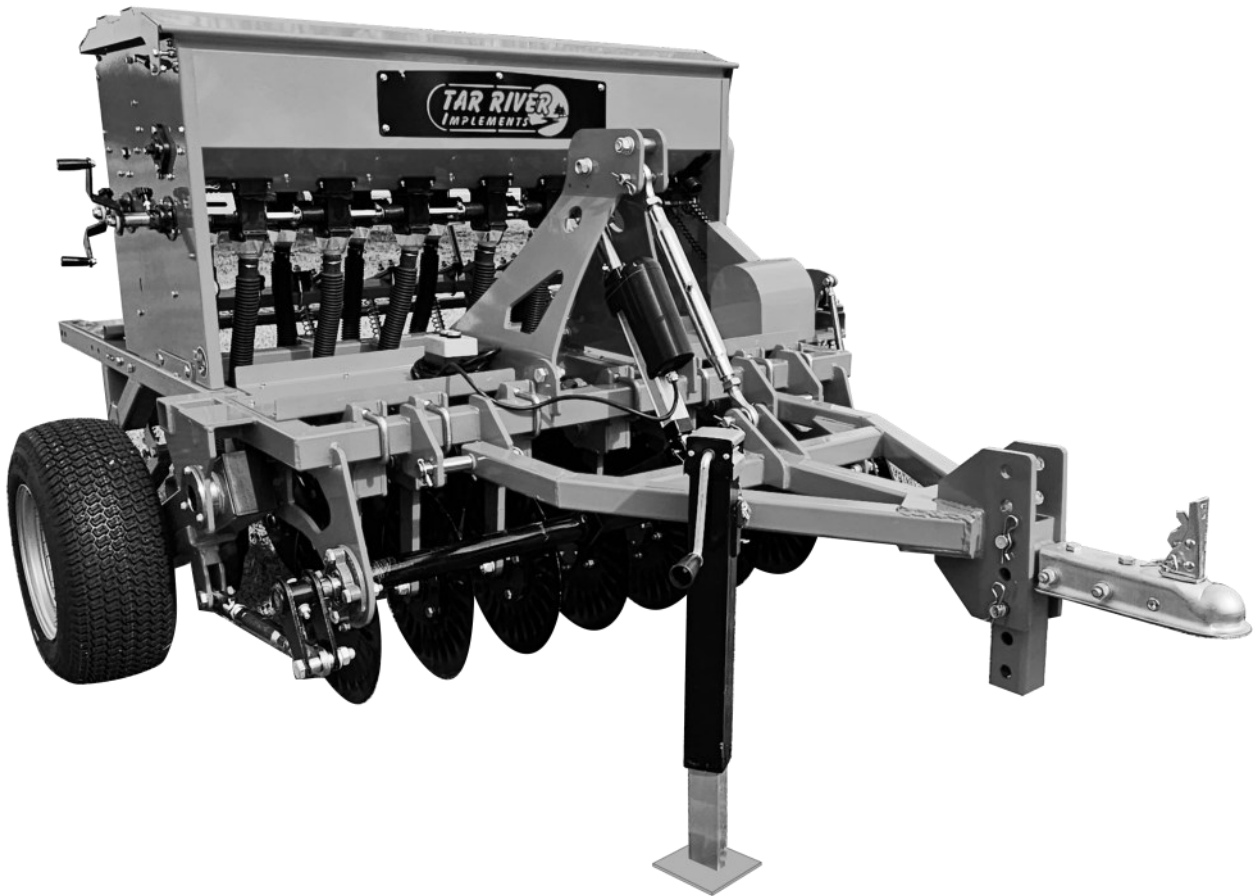
Make sure that fastener threads are clean and that you properly start thread engagement.

Page left blank intentionally



Pull Type No-Till Drill

SAYA-PT505



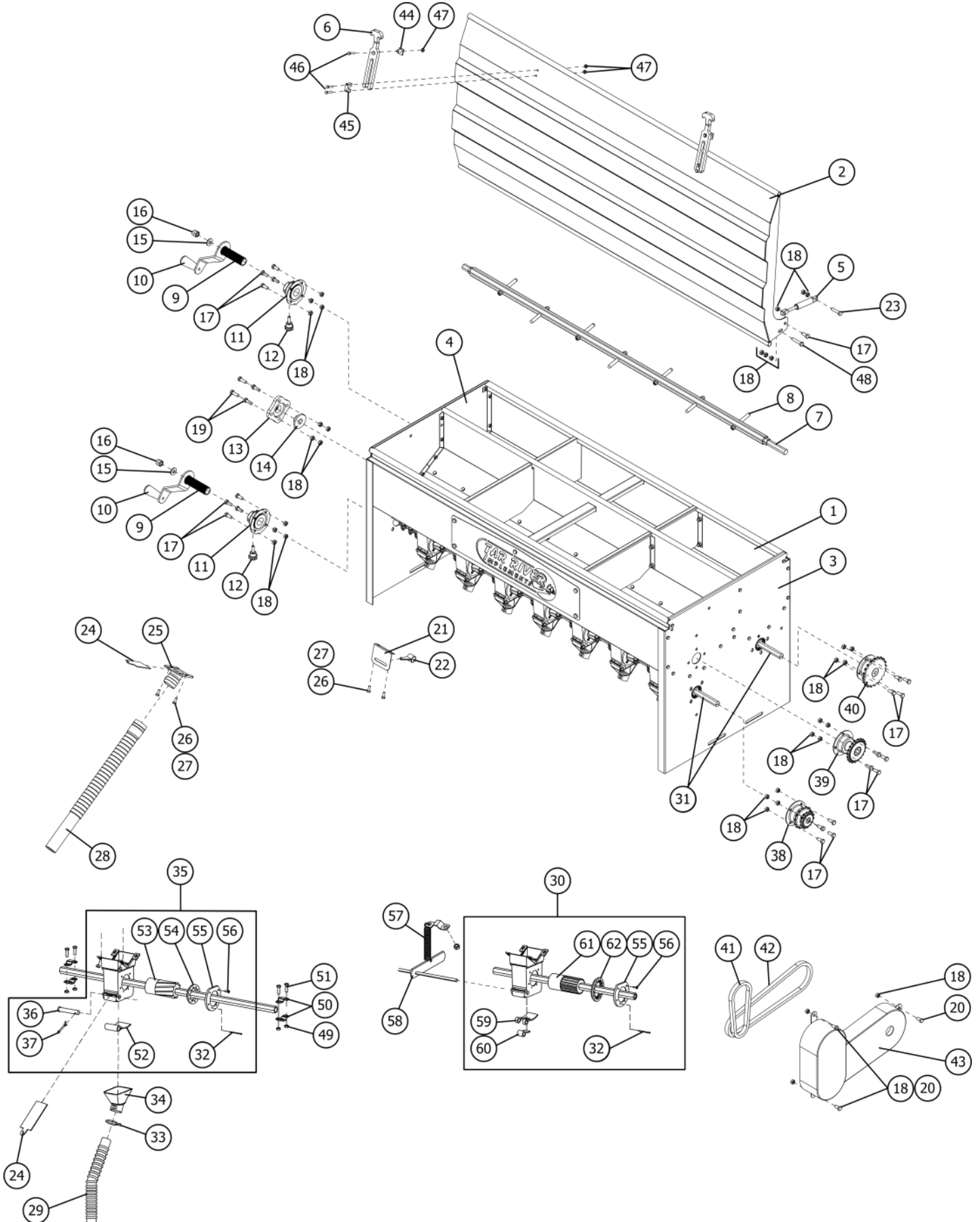
Operator's Manual

Rev. 02/18/26

Hopper

Item	Part #	Description	Qty.
1	SA1003-55	Hopper complete	1
2	SA1001-55	Hopper lid	1
3	SA1004	Hopper end plate, LH	1
4	SA1005	Hopper end plate, RH	1
5	DL5003	Lid piston	2
6	SA4063	Hopper lid strap	2
7	SA9010-55	Agitator rod SAYA-505	1
8	SA9011	Agitator fingers w/nuts	7
9	SA2005	Handle	2
10	SA5005K	Spinning adjustment handle w/bolt & nut	2
11	SA4020	Handle flange	2
12	SA2005K	Locking knob	2
13	SA9009	Mount, agitator	2
14	SA9007	Bushing, agitator	2
15	SA8009	Plastic washer, agitator handle	2
16	LN1420	Self-locking nut M14-2.0	2
17	BM0812520	Bolt HH M08-1.25x20	-
18	NM08125	Nut HH M08-1.25	-
19	BM0812525	Bolt HH M08-1.25x25	-
20	BM0812516	Bolt HH M08-1.25x16	3
21	DL7004A	Rate adjustment face plate (front)	1
	DL7004B	Rate adjustment face plate (rear)	1
22	DL7005	Counter pointer	2
23	BM0812535	Bolt HH M08-1.25x35	2
24	DL7007	Waste/Seed/Fertilizer shut off flap	-
25	DL1006	Cleanout spout	1
26	FNM0610	Flange nut HH M06-1.0	-
27	FBM061016	Flange bolt HH M06-1.0x16	-
28	DL7008	Waste tube	1
29	SA3002	Fertilizer/seed tube - front seed cup	7
30	DL7001-S	Seed cup distribution box - small seed (rear hopper)	7
31	SA10001-55	Hex Seed box Shaft for SAYA-505	2
32	CP3x70	Cotter pin M3x70	14
33	SA9005	Tube wire clamp	7
34	DL7006	Seed cup funnel	
35	DL7001-L	Seed cup distribution box - large seed (front hopper)	7
36	SA4019	Clevis pin composite M10x60	7
37	CP2.5x20	Cotter pin M2.5x20	7
38	SA4094	Sprocket, large seed cups 14T	1
39	SA4095	Sprocket, front hopper - upper 20T	1

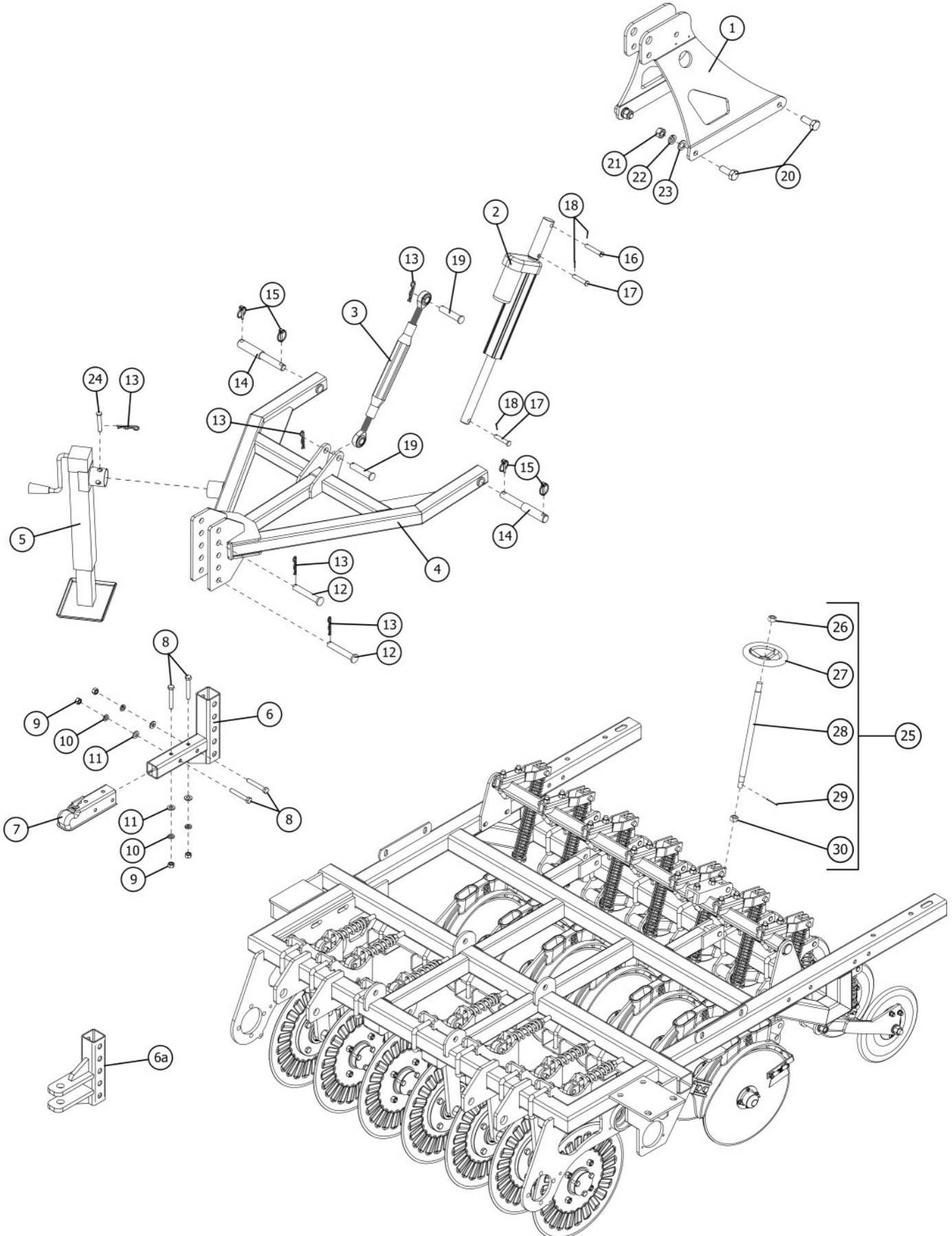
Hopper



Hopper

Item	Part #	Description	Qty.
40	SA9012	Drive sprocket, 20T	1
41	SA4203	Chain, front hopper SAYA-PT505	1
42	SA4204	Chain, rear hopper SAYA-PT505	1
43	SA4205	Chain cover, hopper SAYA-PT505	1
44	SA4065	Hopper lid strap latch	2
45	SA4064	Hopper lid strap retainer	2
46	BM040725	Bolt HH M04-0.7x25	6
47	FNM0407	Nut flange M04-0.7	6
48	BM0812540	Bolt HH M08-1.25x40	2
49	NM0610	Nut HH M06-1.0	-
50	DL7002	Distribution box clamp	-
51	BM061020	Bolt HH M06-1.0x20	-
52	SA4022	Flap seed cup	-
53	SA4012	Seed box shaft, spiral spline (front seed box)	7
54	SA4014	Shaft guide, seed cup - spiral spline	7
55	SA4015	Shaft guide retainer - seed cup	14
56	SA4021	Sheet metal screw M4x10	
57	DL5007	Spring clean out	1
58	DL5006	Handle clean out	1
59	SA4030	Flap outer	7
60	SA4031	Flap inner	7
61	SA4013	Seed box shaft, straight spline (rear seed box)	7
62	SA4029	Shaft guide, seed cup - straight spline	7

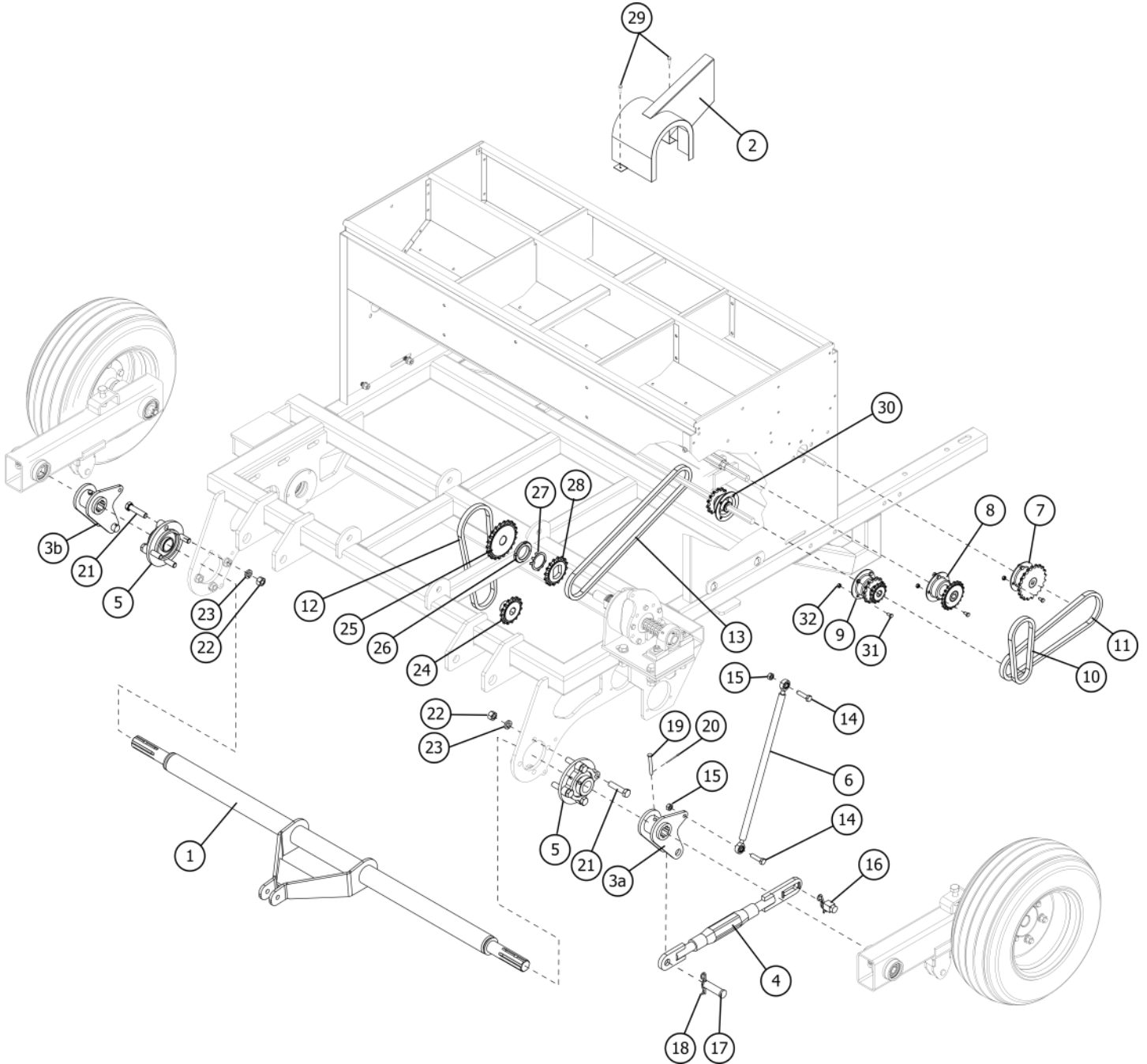
Frame & Hitch



Frame & Hitch

Item	Part #	Description	Qty.
1	SA4121	Hitch weldment SAYA-PT	1
2	SA4122	Actuator	1
3	SA4123	Turnbuckle	1
4	SA4124	Hitch frame SAYA-PT	1
5	SA4125	Jack stand	1
6	SA4126	Ball hitch height adjustment (standard)	1
6a	SA4241	Pull type hitch SAYA-505PT (optional)	1
7	SA4127	Ball hitch attachment	1
8	BM1217580PT	Bolt HH M12-1.75x80 Partial Thread	4
9	NM12175	Nut HH M12-1.75	4
10	LW12	Washer lock M12	4
11	FW12	Washer flat M12	4
12	SA4128	Clevis pin M19x115	2
13	RC4	R-Clip M4	5
14	SA4059	Step pin Cat1/Cat2	2
15	LYNPN10	Lynch pin M10	4
16	SA4243	Clevis pin M12x65	1
17	SA4130	Clevis pin M08x55	2
18	CP2.5x50	Cotter pin M2.5x50	3
19	SA8010	Pin clevis M20x90	2
20	BM182550	Bolt HH M18-2.5x50	4
21	NM1825	Nut HH M18-2.5	4
22	LW18	Washer lock M18	4
23	FW18	Washer flat M18	4
24	SA4131	Clevis pin M10x65	1
25	SA4060	Adjustment shaft complete	1
26	DNM1620	Dome (Cap) Nut - M16 x 2.0 GALV	1
27	SA9002	Adjustment shaft wheel	1
28	SA4062	Adjustment shaft 467mm	1
29	CP2.5x20	Cotter pin	1
30	NM1420	Nut HH M14-2.0	1
31	SA4242	Controller SAYA-PT505 (not shown)	1

Drive Train



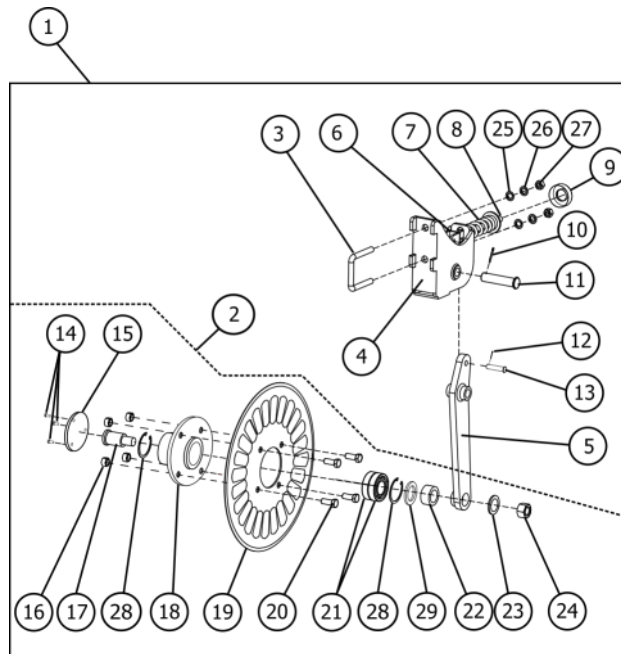
Drive Train

Item	Part #	Description	Qty.
1	SA4132	Actuator arm	1
2	SA4133	Clutch shield	1
3a	SA4134	Pivot arm LH	1
3b	SA4135	Pivot arm RH	1
4	SA4136	Turnbuckle wheel arm	2
5	SA4137	Actuator arm mount	2
6	SA4138	Clutch linkage	1
7	SA9012	Drive sprocket, agitator 20T	1
8	SA4095	Sprocket, #50 roller chain, 21T	1
9	SA4096	Sprocket, #50 roller chain, 14Tx14T	1
10	SA4139	Chain, agitator SAYA-PT	1
11	SA4140	Chain, rear hopper SAYA-PT	1
12	SA4141	Chain, clutch SAYA-PT	1
13	SA4142	Chain, front hopper SAYA-PT	1
14	BM101540	Bolt HH M10-1.5x40	2
15	NM1015	Nut HH M10-1.5	2
16	SA4143	Slide, turnbuckle	2
17	SA8010	Pin clevis M20x90	2
18	RC4	R-clip M4	2
19	CP0865	Clevis pin M08x65	2
20	CP3x40	Cotter pin M3x40	2
21	BM142060	Bolt HH M14-2.0x60	8
22	NM1420	Nut HH M14-2.0	8
23	LW14	Washer lock M14	8
24	SA4206	Sprocket 15T	1
25	SA4207	Sprocket, 22T	1
26	SNM4215	Nut spanner M42-1.5	1
27	SNW42	Washer spanner nut M42	1
28	SA4208	Sprocket clutch 16T	1
29	BMST481900	Self-drilling screw M4.8x19	2
30	SA4094	Sprocket, 14T	1
31	BM061012	Bolt HH M06-1.0x12	-
32	NM0610	Nut HH M06-1.0	-

Wheel Assemblies

Item	Part #	Description	Qty.
1	SA4144	Tire & wheel complete SAYA-PT	2
2	SA4145	Wheel hub SAYA-PT	2
3	SA4146	Swing arm RH	1
4	SA4147	Swing arm LH	1
5	SA4148	Axle	2
6	SA4149	Snap ring internal RRH 62	4
7	B60072RS	Bearing 6007 2RS)	2
8	B6206 2RS	Bearing 6206 2RS	2
9	FW20	Washer flat M20	2
10	CNM2015	Nut castle M20-1.5	2
11	CP4x40	Cotter pin M4 x 40	2
12	SA4150	Wheel arm hub	4
13	SA4151	Wheel arm sleeve	3
14	B6006 2RS	Bearing 6006 2RS	4
15	SA4152	Snap ring internal RRH 55	4
16	SA4153	Chain, wheel arm	1
17	SA4209	Sprocket, wheel arm 14T	2
18	BWC10118	Set screw, cup point, M06-1.0X16	2
19	SA4154	Swing arm shaft	1
20	SA4155	Swing arm shaft coupling	1
21	SA4156	Swing arm shaft bushing	1
22	BM0812525	Bolt HH M08-1.25x25	12
23	LW08	Washer lock M08	12
24	FW08	Washer flat M08	12
25	BM101575	Bolt HH M10-1.5x75	10
26	LN1015	Nut HH locking M10-1.5	10
27	BM182580	Bolt HH M18-2.5x80	2
28	NM1415	Nut HH M14-1.5	10
29	LW14	Washer lock M14	10
30	FW14	Washer flat M14	10
31	BM141540	Bolt HH M14-1.5x40	10
32	NM1825	Nut HH M18-2.5	2

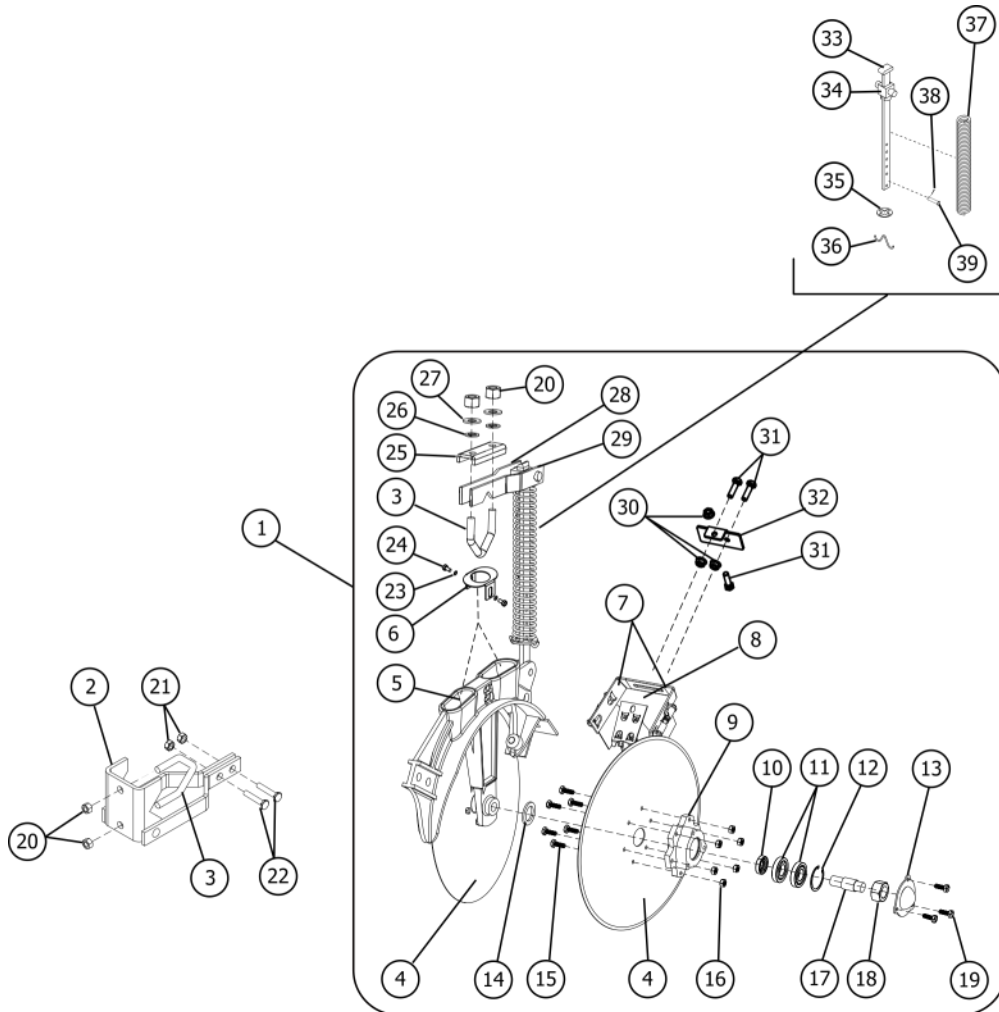
Coulter Wheel



Coulter Wheel

Item	Part #	Description	Qty.
1	SA8008R	Coulter disc assembly with arm - right	-
	SA8008L	Coulter disc assembly with arm - left	-
2	SA8007	Coulter disc w/o arm	10
3	SA8006	U-bolt	10
4	SA8001	Coulter support bracket	10
5	SA8000	Coulter support arm	10
6	SA8005	Coulter spring arm	10
7	SA8004	Coulter spring	10
8	LNM1620	Self locking nut M16-2.0	10
9	SA4008	Cap	10
10	CP5x40	Cotter pin M5x40	10
11	SA8010	Lower hitch pin 20x90	10
12	CP3x35	Cotter pin M3x35	10
13	SA4010	Clevis pin M10x35	10
14	BM061012	Bolt HH M06-1.0x12	30
15	SA9013	Cover	10
16	LNM12175	Nut locking M12-1.75	40
17	SA8011	Special bolt	10
18	SA8003	Coulter bearing housing	10
19	SA8002	Coulter disc	10
20	BM1217535	Bolt HH M12-1.75x35	40
21	B6206 2RS	Bearing 6206 2RS	20
22	SA9008	Spacer M30x42x9	10
23	FW20	Washer flat M20	10
24	LNM2025	Nut lock M20-2.5	10
25	FW14	Washer flat M14	20
26	LW14	Washer lock M14	20
27	NM1420	Nut HH M14-2.0	20
28	SRI-60	Snap ring internal M60	10
29	SA4239	Spacer nylon 5x39x62	20

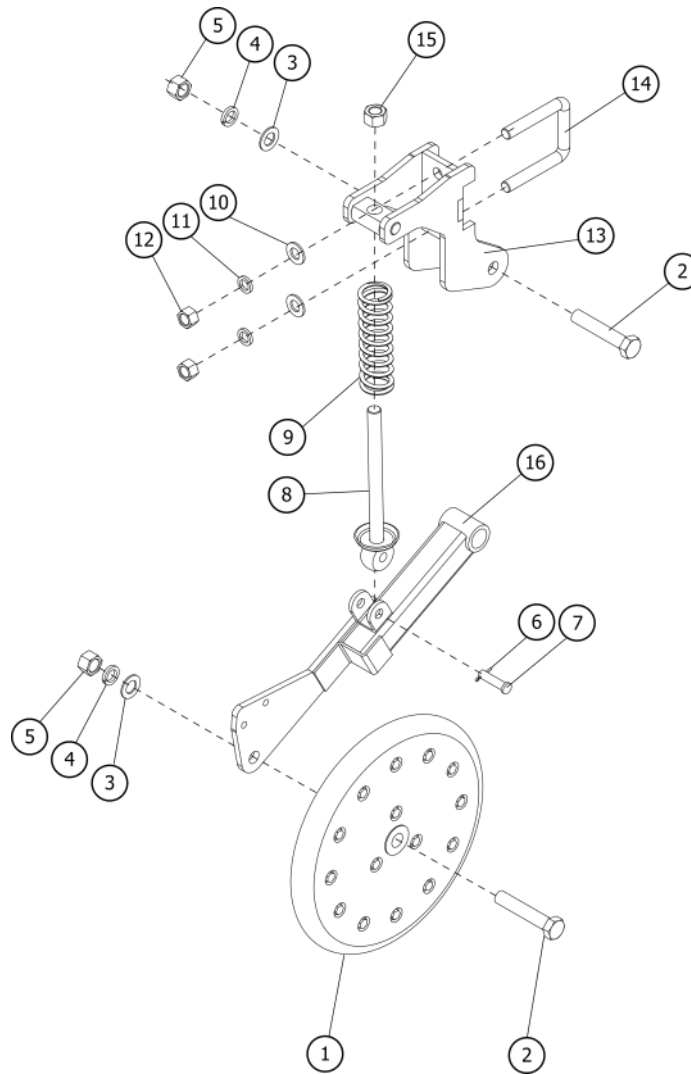
Disc Wheel



Disc Wheel

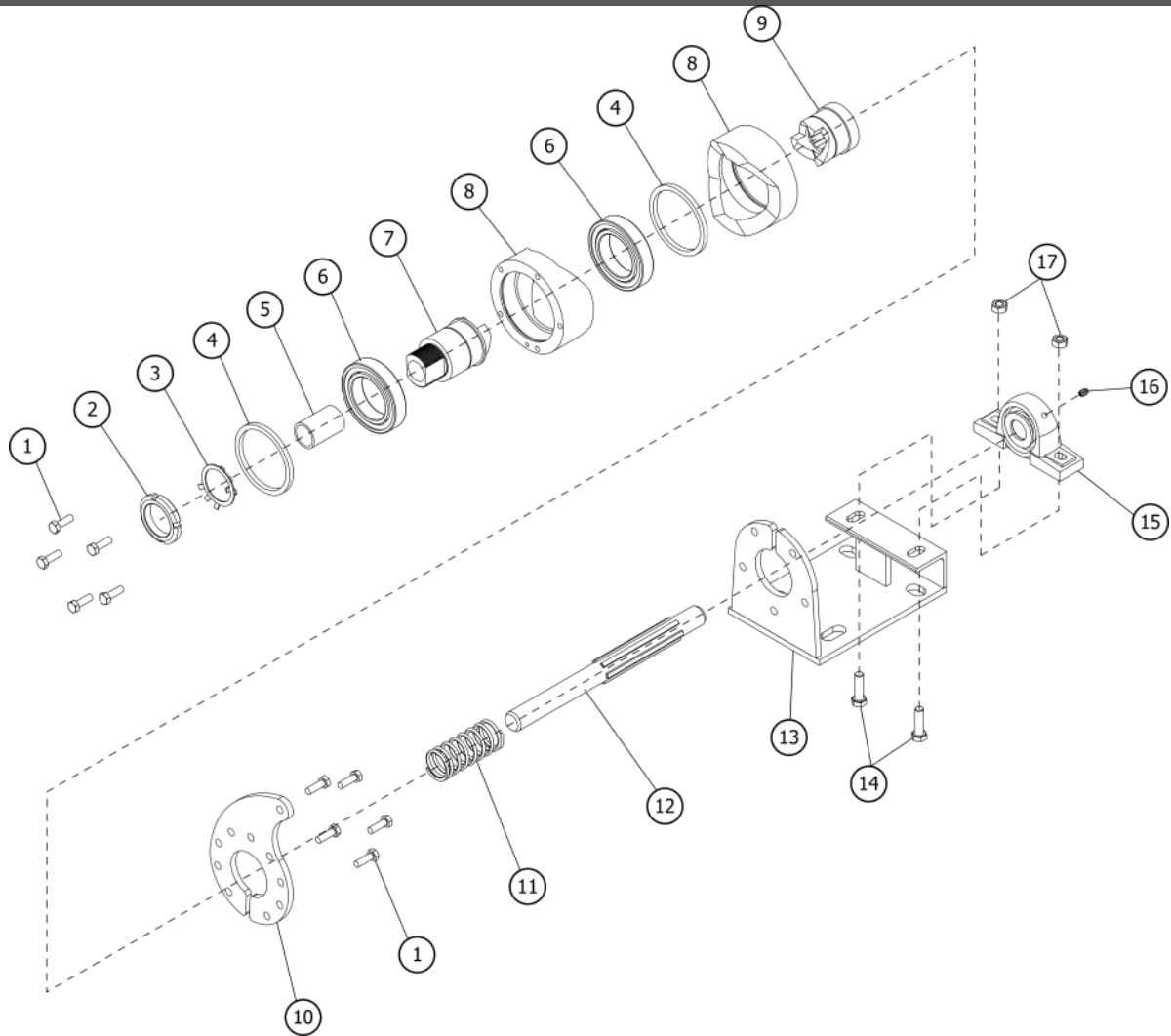
Item	Part #	Description	Qty.
1	SA7001F	Disc assembly complete, front	7
2	SA6002	Disc support bracket short, front	7
3	SA7003	V-bolt M12x1.75	14
4	SA6004	Disc, single	14
5	SA7006	Seed drill casting, front	7
6	SA3001	Seed tube retainer	7
7	DL6007	External scraper	7
8	DL6006	Internal scraper	7
9	SA6005	Disc support bearing	14
10	OS203207	Oil seal - M20 x 32 x 7	14
11	B60042RS	Bearing 6004 2RS	14
12	SRI-45	Snap ring - internal - M45	14
13	SA6009	Bearing grease cap	14
14	FW16	Washer flat M16	14
15	BM061025	Bolt HH M06-1.0x25	84
16	NM0610	Nut HH M06-1.0	84
17	SA4027	Stud LH, disc assembly <i>*warning! See page ?? Before removing/replacing Studs</i>	7
	SA4028	Stud RH, disc assembly <i>*warning! See page ?? Before removing/replacing Studs</i>	7
18	NM1620L	Nut HH M16-2.0 LH threads (for SA4027 LH stud only)	7
	NM1620	Nut HH M16-2.0 (for SA4028 RH stud only)	7
19	BM061012	Bolt HH M06-1.0x12	36
20	NM1420	Nut HH M14-2.0	28
21	NM12175	Nut HH M12-1.75	14
22	BM1217550	Bolt HH M12-1.75x50	14
23	FW08	Washer flat M08	14
24	BM0812510	Bolt HH M08-1.25x10	14
25	SA6003	Disc support	7
26	LW12	Washer lock M12	14
27	FW12	Washer flat M12	14
28	SA7004L	Top coulter support bracket, left	7
29	SA7004R	Top coulter support bracket, right	7
30	FNM08125	Flanged nut M08-1.25	21
31	BM0812520	Bolt HH M08-1.25x20	21
32	SA6011	Scraper mount bracket	7
33	SA4023	Damper rod	7
34	SA4024	Damper guide	7
35	SA4025	Star washer	7
36	SA4026	Retainer clip	7
37	SA7002	Disc spring	7
38	CP2.5x20	Cotter pinM2.5x20	7
39	SA6010	Pin, clevis M6x40	7

Press Wheel



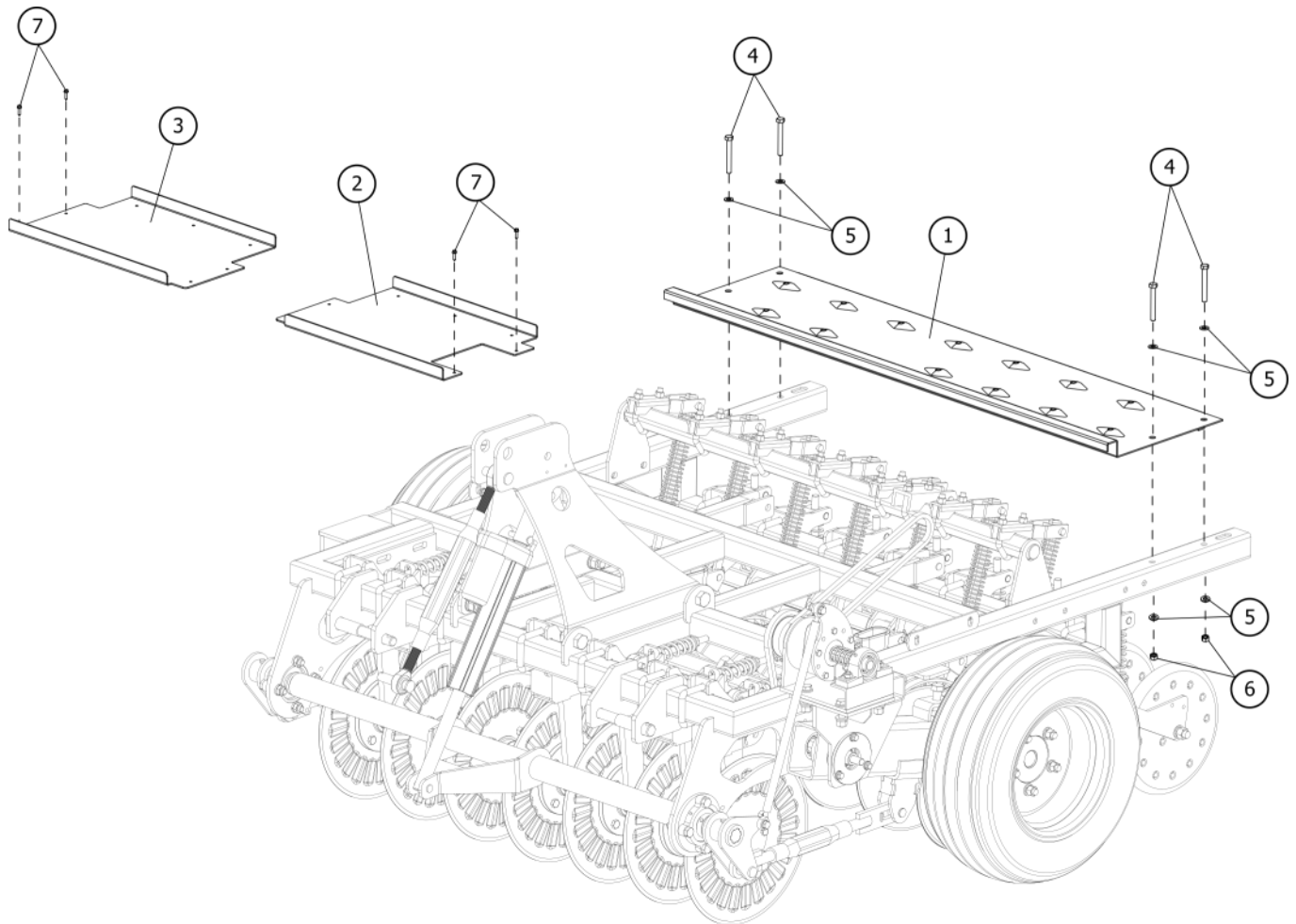
Item	Part #	Description	Qty.
1	SA4159	Press wheel	7
2	BM162085	Bolt HH M16-2.0x85	14
3	FW16	Washer flat M16	14
4	LW16	Washer lock M16	14
5	NM1620	Nut M16-2.0	14
6	SA4160	Clevis pin M10 x 40	7
7	CP2.5x20	Cotter pin M2.5x 20	7
8	SA4161	Press wheel rod	7
9	SA4162	Press wheel spring	7
10	FW14	Washer flat M14	14
11	LW14	Washer lock M14	14
12	NM1420	Nut HH M14-2.0	14
13	SA4163	Press wheel bracket	7
14	SA8006	U-Bolt	7
15	SNM1620	Nut stover M16-2.0	7
16	SA4164	Press wheel arm	7

Clutch



Item	Part #	Description	Qty.
1	BM0812525	Bolt HH M08-1.25x25	10
2	SLNM4215	Spanner nut Ø42mm-1.5	1
3	SA4210	Retaining lock Ø42mm	1
4	SA4165	Clutch ring	2
5	SA4166	Clutch spacer	1
6	B6011	Bearing 6011-2RZ	2
7	SA4167	Threaded coupling	1
8	SA4168	Slip clutch	2
9	SA4169	Coupling	1
10	SA4170	Clutch engagement plate	1
11	SA4171	Clutch spring	1
12	SA4172	Clutch shaft	1
13	SA7173	Clutch mount	1
14	BM101535	Bolt HH M10-1.5x35	2
15	UCFL205	UCFL205 - Mounted Bearing w/ Housing	1
16	GN061S	Grease Nipple- M6 - 1.0 Straight	1
17	NM1015	Nut HH M10-1.5	2

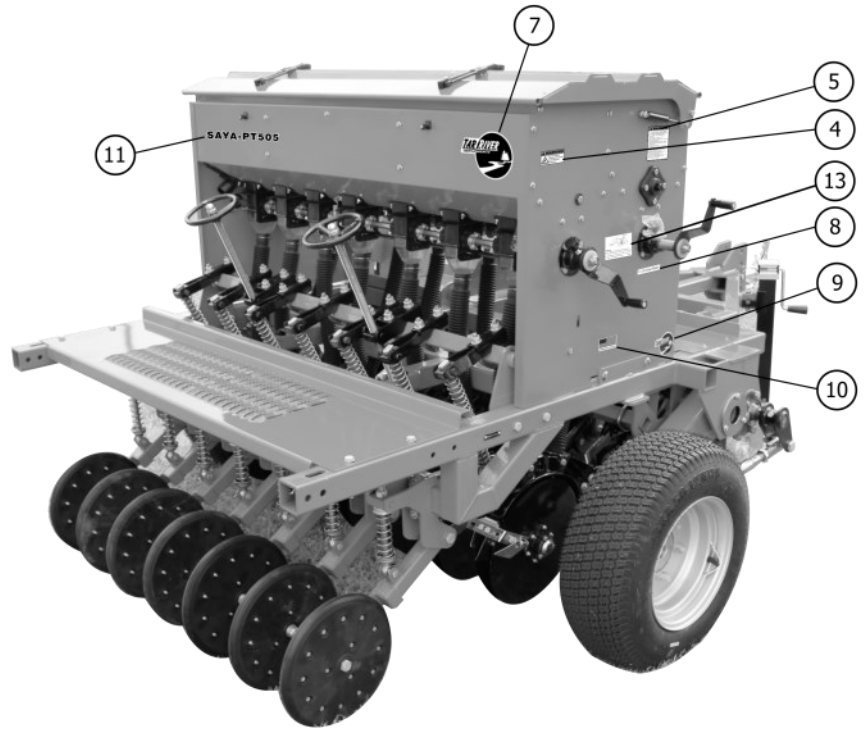
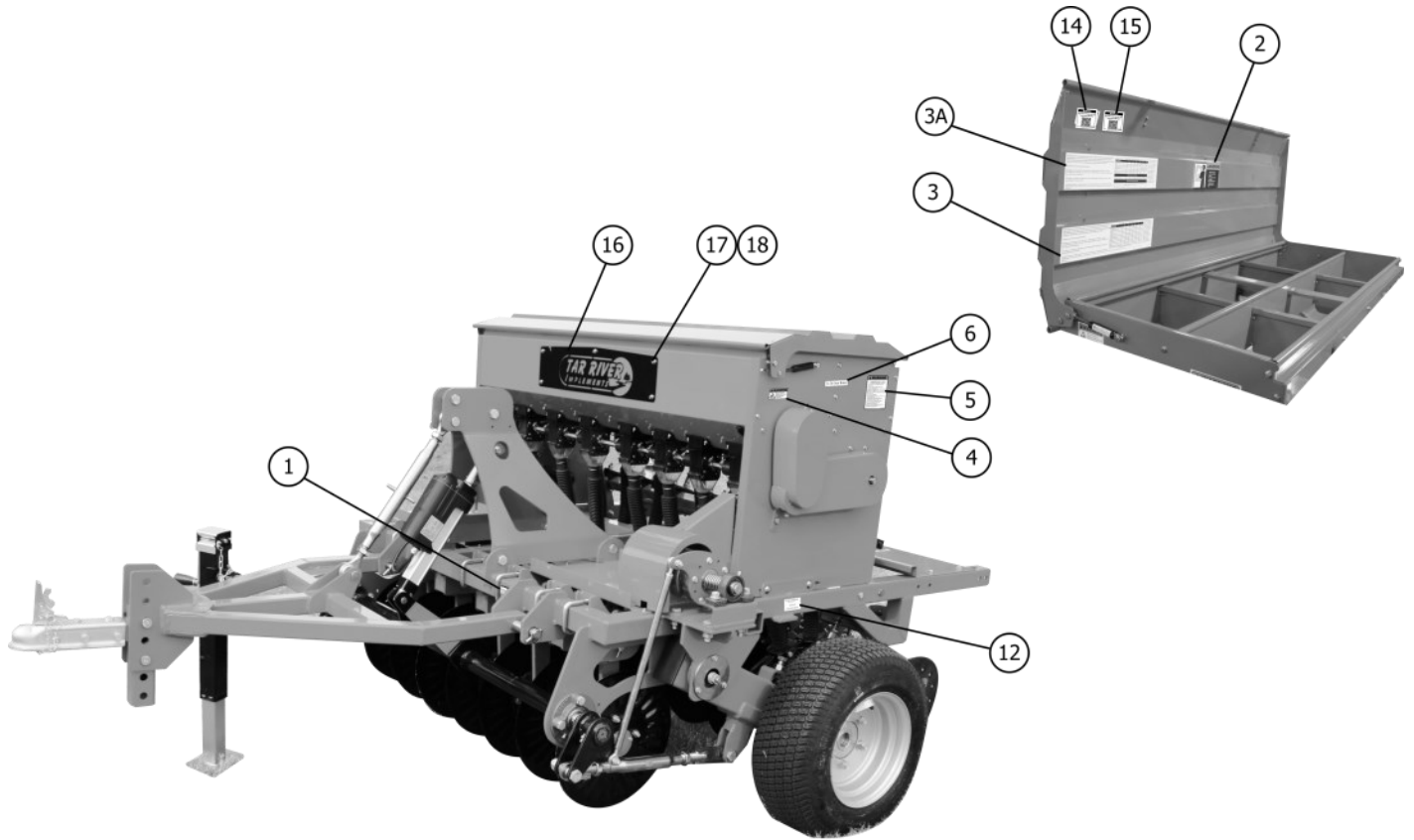
Floorboard Assembly



Floorboard Assembly

Item	Part #	Description	Qty.
1	SA4039	Step board, rear - SAYA505	1
2	SA4157	Step board, LH front - SAYA-PT505	1
3	SA4158	Step board, RH front - SAYA-PT505	1
4	BM101580	Bolt HH M10-1.5x80	4
5	FW10	Flat washer M10	8
6	NM1015	Nut HH M10-1.5	4
7	BMST481900	Self-drilling screw M4.8x19	16

Decals



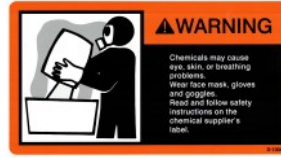
Decals

Item	Part #	Description	Qty.
1	RT-1005	Decal Warning, "To prevent serious injury or death"	1
2	D1004	Decal Warning, "Chemicals" (<i>Note: see LH inside of hopper lid</i>)	1
3	D1224F	Decal "Front Hopper (<i>Note: see RH inside of hopper lid</i>)"	1
3A	D1224R	Decal "Rear Hopper (<i>Note: see RH inside of hopper lid</i>)"	1
4	RT1004E	Decal Warning, "Do not open"	2
5	RT1004D	Decal Warning, "To prevent serious injury or death"	2
6	-	Decal Gear Ratio "12-40"	1
7	RT-1016	Decal Logo, "Tar River Implements"	1
8	-	Decal Gear Ratio "11-26"	1
9	Decal1013	Decal Logo, "Tar River Mfg."	1
10	D1309	Decal "Assembled in the USA"	1
11	SAYA-PT505	Decal Model #, SAYA-PT505	1
12	-	Decal Serial Tag	1
13	D1316	Decal Adjustment Handle	1
14	D1345	Decal QR Code SAYA-PT505 No-Till Drill Press Wheel Manual	1
15	D1329	Decal QR Code SAYA Seed Calibration	1
16	D1340L	Small metal laser cut "Tar River Implements 5.50" x 23.50"	1
17	BM061012	Bolt HH06-1.0x12	5
18	FNM0610	Flange nut HH M06-1.0	5

Decals



1 - RT-1005



2- 5SBD1004

3 - D1224F

The most accurate way to set application rates is to drive a predetermined distance and physically catch the seeds dispensed. To do this, remove at least one drop hose and tie a plastic bag onto bottom of seed cup. Travel a determined distance and then weigh the seeds in the bag. Multiply the amount collected by the number of cups on your machine. Refer to the following example to properly calibrate your machine.

To determine area covered calculate the following:
 Disc spacing x number of discs (convert to ft.) x distance traveled divided by the sq. ft. in an acre.

Example: 10 discs with a 7.5" spacing = 75" (6.25 ft.) x 100 ft. traveled = 625 sq. ft. covered.
 625/43,560 sq. ft. in acre = .0143 (1.43% of acre covered.)

If you collect 1 oz. of seed from a single seed cup on the #3 setting after driving 100 ft. (1.43% of an acre), you are putting out 43.70 lbs. per acre.

1 oz. (amount collected) x 10 seed cups = 10 oz. total output by machine. Distance traveled = 100 ft. (1.43% of acre).
 1 oz./16 oz (16 oz in 1 lb.) = .0625 / .0143 = 4.37 x 10 disc = 43.70 lbs. per acre

The most accurate way to set application rates is to drive a predetermined distance and physically catch the seeds dispensed. To do this, remove at least one drop hose and tie a plastic bag onto bottom of seed cup. Travel a determined distance and then weigh the seeds in the bag. Multiply the amount collected by the number of cups on your machine. Refer to the following example to properly calibrate your machine.

To determine area covered calculate the following:
 Disc spacing x number of discs (convert to ft.) x distance traveled divided by the sq. ft. in an acre.

Example: 10 discs with a 7.5" spacing = 75" (6.25 ft.) x 100 ft. traveled = 625 sq. ft. covered.
 625/43,560 sq. ft. in acre = .0143 (1.43% of acre covered.)

If you collect 1 oz. of seed from a single seed cup on the #3 setting after driving 100 ft. (1.43% of an acre), you are putting out 43.70 lbs. per acre.

1 oz. (amount collected) x 10 seed cups = 10 oz. total output by machine. Distance traveled = 100 ft. (1.43% of acre).
 1 oz./16 oz (16 oz in 1 lb.) = .0625 / .0143 = 4.37 x 10 disc = 43.70 lbs. per acre

Cup Setting	1/2	1	2	3	4	5
Chufa			40	50		
Oats				65	125	
Wheat				60	90	120
Lawn Mixtures					100	130
Fescue					114	138
Rye			72			
Pelletized Lima		50				
Shut off every other seed cup						
Sunflower 15" row			22	32		
Soybeans 15" row		50				
Shut off every 2 other seed cups						
Corn 22.5" row			20	35		
Approximate Pounds Per Acre						
25.5 rotations of the drive roller = 100 Feet						

NOTE: The tables and rate charts are guidelines only! They are designed to be an aid as a starting point. You must do your own calibration as many factors cause rates to change. Variations in seed/granular size, density, moisture, seed treatment, and the amount of machine overlap will affect the final application rate.

D1224F

Cup Setting	1/2	1	2	3	4	5
Clover/Brassica/Rape	6					
Sorghum/Millet		15		30		
Alfalfa			20			
Buckwheat				50		
Timothy Grass		(11.5 = 10)	15			
Kentucky Blue Grass				30	40	
Radish		10				
Turnips		11				
Rye		7				
Chicory		5				
Alfalfa/Chicory(Food Plot Mix)		10.5				
Approximate Pounds Per Acre						
25.5 rotations of the drive roller = 100 Feet						

NOTE: The tables and rate charts are guidelines only! They are designed to be an aid as a starting point. You must do your own calibration as many factors cause rates to change. Variations in seed/granular size, density, moisture, seed treatment, and the amount of machine overlap will affect the final application rate.

D1224R

3A - D1224R

4- RT1004E



12-40 Gear Ratio

6- 12-40 Gear Ratio

11-26 Gear Ratio

8 - 11-26 Gear Ratio



5 - RT1004D



7 - RT-1016

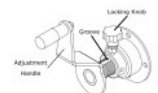


9 - D1013



ASSEMBLED IN THE USA

10 - D-1309



Important!
 • When tightening the Locking Knob, make sure it is seated in the groove on the Adjustment Handle.
 • Do not tighten the Locking Knob on the threaded portion of the Adjustment Handle!

SAYA-PT505

11 - SAYA-PT505

Tar River Implements
 www.TARRIVERMFG.com

SAYA-xxx
 Serial # xxxxx

Made in China

12 - Serial Tag

13 - D1316

Decals



14 - D1345



15 - D1329



16 - D1340L

Warranty

LIMITED WARRANTY

Beaver Valley Supply Equipment warrants to the original purchaser of any new piece of machinery from Beaver Valley Supply Equipment, purchased from an authorized Beaver Valley Supply Equipment dealer, that the equipment be free from defects in material and workmanship for a period of one (1) year for non-commercial, state, and municipalities' use, ninety (90) days for commercial use from date of retail sale. Warranty for rental purposes is thirty (30) days. The obligation of Beaver Valley Supply Equipment to the purchaser under this warranty is limited to the repair or replacement of defective parts.

Replacement or repair parts installed in the equipment covered by this limited warranty are warranted for ninety (90) days from the date of purchase of such part or to the expiration of the applicable new equipment warranty period, whichever occurs later. Warranted parts shall be provided at no cost to the user at an authorized Beaver Valley Supply Equipment dealer during regular working hours. Beaver Valley Supply Equipment reserves the right to inspect any equipment or parts, which are claimed to have been defective in material or workmanship.

This limited warranty does not apply to and excludes wear items such as shear pins, tires, tubes knives, blades or other wear items. Oil or grease is not covered by this warranty. All obligations of Beaver Valley Supply Equipment under this limited warranty shall be terminated if:

Proper service is not performed on the machine.

The machine is modified or altered in any way.

The machine is being used or has been used for purposes other than those for which the machine was intended.

DISCLAIMER OF IMPLIED WARRANTIES & CONSEQUENTIAL DAMAGES

Beaver Valley Supply Equipment obligation under this limited warranty, to the extent allowed by law, is in lieu of all warranties, implied or expressed, including implied warranties of merchantability and fitness for a particular purpose and any liability for incidental and consequential damages with respect to the sale or use of the items warranted. Such incidental and consequential damages shall include but not be limited to: transportation charges other than normal freight charges; cost of installation other than cost approved by Beaver Valley Supply Equipment; duty; taxes; charges for normal service or adjustment; loss of crops or any other loss of income; rental of substitute equipment, expenses due to loss, damage, detention or delay in the delivery.

REGISTRATION

The online Warranty Registration must be completed in order to qualify for coverage on this Limited Warranty. Visit br-equipment.com, click on "Warranty Registration" and completely fill out the form to register the new piece of equipment.

Page left blank intentionally

